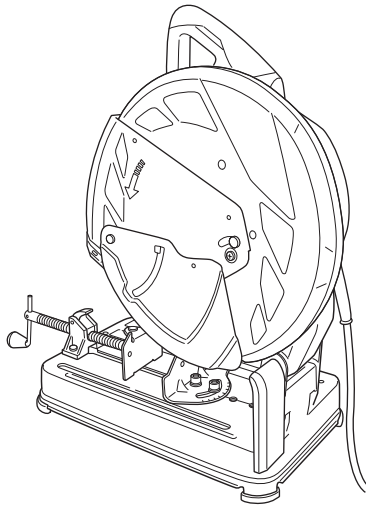


HIKOKI

Cut-Off Machine
Profil kesme
Відрізна машина
Отрезная машина

CC 14ST



Read through carefully and understand these instructions before use.

Aleti kullanmadan önce bu kılavuzu iyice okuyun ve talimatları anlayın.

Будь ласка, прочитайте інструкції і перевірте себе, чи все зрозуміло, перш ніж користуватися приладом.

Внимательно прочтите данную инструкцию по эксплуатации прежде чем пользоваться инструментом.

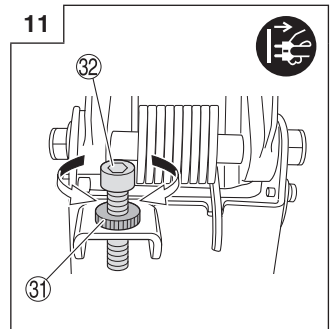
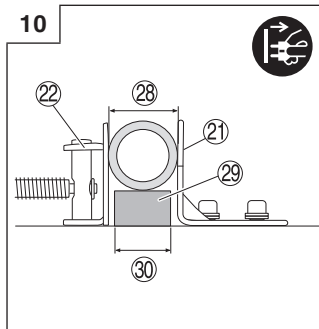
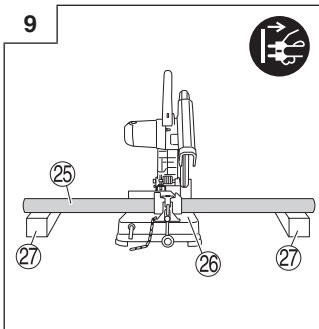
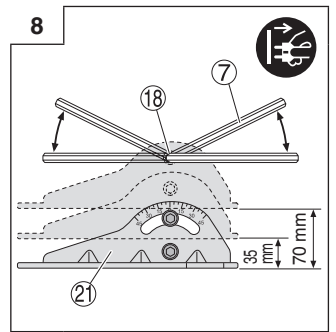
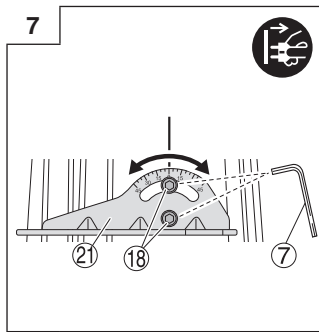
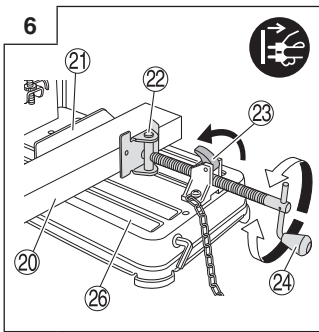
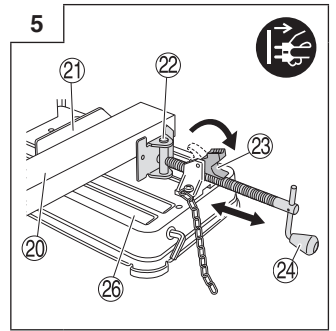
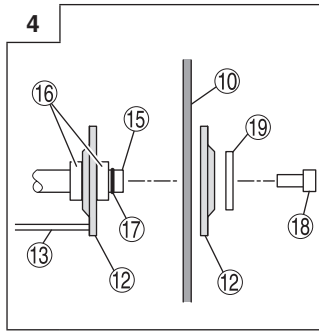
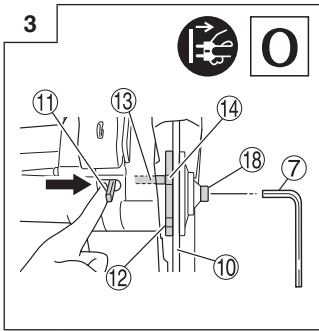
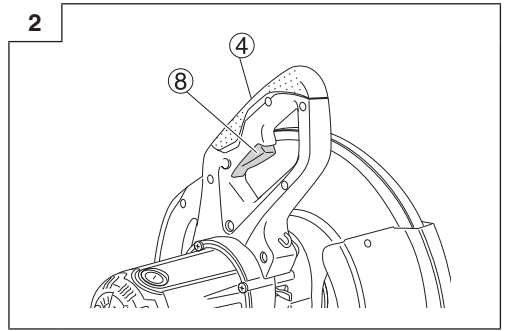
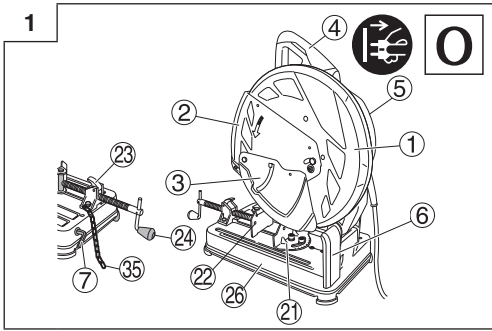


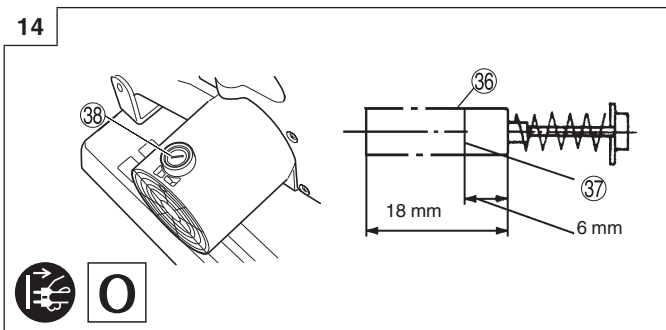
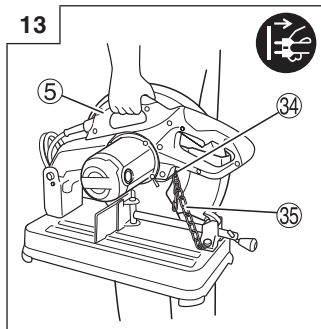
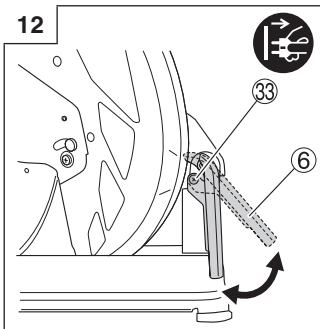
Handling instructions

Kullanım talimatları








Інструкції щодо поводження з пристроєм

Инструкция по эксплуатации





| | English | Türkçe | Український | Русский |
|---|----------------------------------|---|---|---|
| ① | Wheel cover | Disk kapağı | Крышка диска | Крышка диска |
| ② | Lower guard (A) | Alt koruyucu (A) | Нижня напрямна (A) | Нижнее защитное приспособление (A) |
| ③ | Lower guard (B) | Alt koruyucu (B) | Нижня напрямна (B) | Нижнее защитное приспособление (B) |
| ④ | Handle | Kol | Рукоятка | Рукоятка |
| ⑤ | Carrying handle | Taşıma kolu | Ручка для перенесення | Рукоятка для переноски |
| ⑥ | Spark chute | Kıvılcım oluğu | Іскровий жолоб | Искровой желоб |
| ⑦ | Hex. bar wrench | Altıgen çubuk lokma anahtarı | Гайковий ключ у вигляді шестигранного стрижня | Гаечный ключ в виде шестигранного стержня |
| ⑧ | Switch | Anahtar | Перемикач | Переключатель |
| ⑨ | Motor | Motor | Двигун | Двигатель |
| ⑩ | Cut-off wheel | Profil Kesme diski | Відрізний диск | Отрезной диск |
| ⑪ | Stopper | Durdurucu | Стопор | Стопор |
| ⑫ | Wheel washer | Disk pulu | Шайба диска | Дисковая шайба |
| ⑬ | Stopper pin | Stoper pimi | Стопорний штифт | Стопорный штырь |
| ⑭ | Hole of wheel washer | Dik pulu deliği | Отвір у шайбі диска | Отверстие дисковой шайбы |
| ⑮ | Cut-off wheel spindle | Profil kesme diski mili | Шпindelь відрізного диска | Отрезной дисковый шпindelь |
| ⑯ | Sleeve | Rakor | Втулка | Втулка |
| ⑰ | O-ring | O-halka | Кільце ущільнення | Уплотнительное кольцо |
| ⑱ | 10 mm bolt | 10 mm civata | 10 мм болти | 10 мм болты |
| ⑲ | Washer (A) | Pul (A) | Шайба (A) | Шайба (A) |
| ⑳ | Workpiece material | İş parçası malzeme | Матеріал робочої заготовки | Материал рабочей заготовки |
| ㉑ | Vise (B) | Mengene (B) | Затискні пристрої (B) | Зажимное приспособление (B) |
| ㉒ | Vise (A) | Mengene (A) | Затискні пристрої (A) | Зажимное приспособление (A) |
| ㉓ | Clutch | Kavrama kolu | Муфта | Муфта |
| ㉔ | Screw handle | Vidalı kol | Рукоятка гвинта | Рукоятка винта |
| ㉕ | Long workpiece material | Uzun iş parçası malzeme | Довга робоча заготовка | Длинное рабочее изделие |
| ㉖ | Base | Taban | Основа | Основание |
| ㉗ | Block | Blok | Блок | Блок |
| ㉘ | Dimension of workpiece to be cut | Üzerinde çalışılacak malzemenin boyutları | Розмір заготовки для відрізання | Размер заготовки для отрезания |
| ㉙ | Square block | Kare blok | Квадратний блок | Квадратный блок |
| ㉚ | Dimension of square block | Kare blok ebadı | Розміри квадратного блока | Размеры квадратного блока |
| ㉛ | Lock nut | Kilit somunu | Контргайка | Зажимная гайка |
| ㉜ | Stopper bolt | Stoper civatası | Стопорний болт | Стопорный болт |
| ㉝ | Screw | Vida | Гвинт | Винт |
| ㉞ | Chain hook | Zincir kancası | Гачок для ланцюга | Цепной крюк |
| ㉟ | Chain | Zincir | Ланцюг | Цепь |
| ㊱ | Carbon brush | Kömür | Вугільна щітка | Угольная щетка |
| ㊲ | Wear limit | Aşınma sınırı | Межа зносу | Предел износа |
| ㊳ | Brush cap | Fırça kapağı | Кришка щітки | Колпачок щетки |

| | English | Türkçe | Український | Русский |
|--|---|--|--|--|
| | <p>Symbols ⚠ WARNING The following show symbols used for the machine. Be sure that you understand their meaning before use.</p> | <p>Simgeler ⚠ DİKKAT Aşağıda, bu alet için kullanılan simgeler gösterilmiştir. Aleti kullanmadan önce bu simgelerin ne anlama geldiğini anladığınızdan emin olun.</p> | <p>Символи ⚠ ПОПЕРЕДЖЕННЯ Тут показані символи, використані в керівництві. Будь ласка, переконайтеся, що правильно розумієте їхнє значення.</p> | <p>Символы ⚠ ПРЕДУПРЕЖДЕНИЕ Ниже приведены символы, используемые для машины. Перед началом работы обязательно убедитесь в том, что Вы понимаете их значение.</p> |
|  | <p>To reduce the risk of injury, user must read instruction manual. Failure to follow the warnings and instructions may result in electric shock, fire and/or serious injury.</p> | <p>Kullanıcı yaralanma riskini azaltmak için kullanım kılavuzunu okumalidir. Uyarılara ve talimatlara uyulmaması elektrik çarpmasına, yangına ve/veya ciddi yaralanmaya neden olabilir.</p> | <p>Щоб зменшити ризик отримання травми, користувач повинен прочитати інструкції з експлуатації. Невиконання цих правил та інструкцій може призвести до удару струмом, пожежі та/або серйозної травми.</p> | <p>Чтобы уменьшить опасность получения травм, пользователь должен прочитать руководство по эксплуатации. Не выполнение правил и инструкций может привести к поражению электрическим током, пожару и/или серьезной травме.</p> |
|  | <p>Always wear eye protection.</p> | <p>Daima koruyucu gözlük takın.</p> | <p>Завжди носіть захисні окуляри.</p> | <p>Всегда надевайте средства защиты глаз.</p> |
|  | <p>Only for EU countries Do not dispose of electric tools together with household waste material! In observance of European Directive 2012/19/EU on waste electrical and electronic equipment and its implementation in accordance with national law, electric tools that have reached the end of their life must be collected separately and returned to an environmentally compatible recycling facility.</p> | <p>Sadece AB ülkeleri için Elektrikli el aletlerini evdeki çöp kutusuna atmayınız! Kullanılmış elektrikli aletleri, elektrik ve elektronik eski cihazlar hakkındaki 2012/19/AB Avrupa yönergelerine göre ve bu yönergeler ulusal hukuk kurallarına göre uyarlanarak, ayrı olarak toplanmalı ve çevre şartlarına uygun bir şekilde tekrar değerlendirilmeye gönderilmelidir.</p> | <p>Лише для країн ЄС НЕ викидайте електричні інструменти із побутовими відходами! Згідно Європейської Директиви 2012/19/ЄС про відходи електронного та електричного виробництва і її запровадження згідно місцевих законів, електроінструменти, які відслужили робочий строк слід утилізувати окремо і повертати до установ, що займаються екологічною переробкою брухту.</p> | <p>Только для стран ЕС Не выкидывайте электроприборы вместе с обычным мусором! В соответствии с европейской директивой 2012/19/ЕС об утилизации старых электрических и электронных приборов и в соответствии с местными законами электроприборы, бывшие в эксплуатации, должны утилизироваться отдельно безопасным для окружающей среды способом.</p> |
|  | <p>Switching ON</p> | <p>AÇMA</p> | <p>Перемикач УВІМК.</p> | <p>Включение</p> |
|  | <p>Switching OFF</p> | <p>KAPAMA</p> | <p>Перемикач ВІМК.</p> | <p>Переключатель ВЫКЛ.</p> |
|  | <p>Disconnect mains plug from electrical outlet</p> | <p>Elektrik fişini prizden çıkarın</p> | <p>Від'єднайте штепсельну вилку від електричної розетки</p> | <p>Отсоедините сетевой штепсель от электрической розетки</p> |
|  | <p>Class II tool</p> | <p>Sınıf II alet</p> | <p>Електричний пристрій класу II</p> | <p>Электронинструмент класса II</p> |

GENERAL POWER TOOL SAFETY WARNINGS

WARNING

Read all safety warnings, instructions, illustrations and specifications provided with this power tool. Failure to follow all instructions listed below may result in electric shock, fire and / or serious injury.

Save all warnings and instructions for future reference.

The term "power tool" in the warnings refers to your mains-operated (corded) power tool or battery-operated (cordless) power tool.

1) Work area safety

- a) **Keep work area clean and well lit.**
Cluttered or dark areas invite accidents.
- b) **Do not operate power tools in explosive atmospheres, such as in the presence of flammable liquids, gases or dust.**
Power tools create sparks which may ignite the dust or fumes.
- c) **Keep children and bystanders away while operating a power tool.**
Distractions can cause you to lose control.

2) Electrical safety

- a) **Power tool plugs must match the outlet. Never modify the plug in any way. Do not use any adapter plugs with earthed (grounded) power tools.**
Unmodified plugs and matching outlets will reduce risk of electric shock.
- b) **Avoid body contact with earthed or grounded surfaces, such as pipes, radiators, ranges and refrigerators.**
There is an increased risk of electric shock if your body is earthed or grounded.
- c) **Do not expose power tools to rain or wet conditions.**
Water entering a power tool will increase the risk of electric shock.
- d) **Do not abuse the cord. Never use the cord for carrying, pulling or unplugging the power tool. Keep cord away from heat, oil, sharp edges or moving parts.**
Damaged or entangled cords increase the risk of electric shock.
- e) **When operating a power tool outdoors, use an extension cord suitable for outdoor use.**
Use of a cord suitable for outdoor use reduces the risk of electric shock.
- f) **If operating a power tool in a damp location is unavoidable, use a residual current device (RCD) protected supply.**
Use of an RCD reduces the risk of electric shock.

3) Personal safety

- a) **Stay alert, watch what you are doing and use common sense when operating a power tool. Do not use a power tool while you are tired or under the influence of drugs, alcohol or medication.**
A moment of inattention while operating power tools may result in serious personal injury.
- b) **Use personal protective equipment. Always wear eye protection.**
Protective equipment such as a dust mask, non-skid safety shoes, hard hat or hearing protection used for appropriate conditions will reduce personal injuries.

- c) **Prevent unintentional starting. Ensure the switch is in the off-position before connecting to power source and/or battery pack, picking up or carrying the tool.**

Carrying power tools with your finger on the switch or energising power tools that have the switch on invites accidents.

- d) **Remove any adjusting key or wrench before turning the power tool on.**

A wrench or a key left attached to a rotating part of the power tool may result in personal injury.

- e) **Do not overreach. Keep proper footing and balance at all times.**

This enables better control of the power tool in unexpected situations.

- f) **Dress properly. Do not wear loose clothing or jewellery. Keep your hair and clothing away from moving parts.**

Loose clothes, jewellery or long hair can be caught in moving parts.

- g) **If devices are provided for the connection of dust extraction and collection facilities, ensure these are connected and properly used.**

Use of dust collection can reduce dust-related hazards.

- h) **Do not let familiarity gained from frequent use of tools allow you to become complacent and ignore tool safety principles.**

A careless action can cause severe injury within a fraction of a second.

4) Power tool use and care

- a) **Do not force the power tool. Use the correct power tool for your application.**
The correct power tool will do the job better and safer at the rate for which it was designed.
- b) **Do not use the power tool if the switch does not turn it on and off.**
Any power tool that cannot be controlled with the switch is dangerous and must be repaired.
- c) **Disconnect the plug from the power source and/ or remove the battery pack, if detachable, from the power tool before making any adjustments, changing accessories, or storing power tools.**
Such preventive safety measures reduce the risk of starting the power tool accidentally.
- d) **Store idle power tools out of the reach of children and do not allow persons unfamiliar with the power tool or these instructions to operate the power tool.**
Power tools are dangerous in the hands of untrained users.
- e) **Maintain power tools and accessories. Check for misalignment or binding of moving parts, breakage of parts and any other condition that may affect the power tool's operation. If damaged, have the power tool repaired before use.**
Many accidents are caused by poorly maintained power tools.
- f) **Keep cutting tools sharp and clean.**
Properly maintained cutting tools with sharp cutting edges are less likely to bind and are easier to control.
- g) **Use the power tool, accessories and tool bits etc. in accordance with these instructions, taking into account the working conditions and the work to be performed.**
Use of the power tool for operations different from those intended could result in a hazardous situation.

- h) **Keep handles and grasping surfaces dry, clean and free from oil and grease.**
Slippery handles and grasping surfaces do not allow for safe handling and control of the tool in unexpected situations.
- 5) **Service**
a) **Have your power tool serviced by a qualified repair person using only identical replacement parts.**
This will ensure that the safety of the power tool is maintained.

PRECAUTION

Keep children and infirm persons away.

When not in use, tools should be stored out of reach of children and infirm persons.

CUT-OFF MACHINE SAFETY WARNINGS

1) Cut-off machine safety warnings

- a) **Position yourself and bystanders away from the plane of the rotating wheel.** *The guard helps to protect the operator from broken wheel fragments and accidental contact with wheel.*
- b) **Use only bonded reinforced cut-off wheels for your power tool.** *Just because an accessory can be attached to your power tool, it does not assure safe operation.*
- c) **The rated speed of the accessory must be at least equal to the maximum speed marked on the power tool.** *Accessories running faster than their rated speed can break and fly apart.*
- d) **Wheels must be used only for recommended applications. For example: do not grind with the side of a cut-off wheel.** *Abrasive cut-off wheels are intended for peripheral grinding, side forces applied to these wheels may cause them to shatter.*
- e) **Always use undamaged wheel flanges that are of correct diameter for your selected wheel.** *Proper wheel flanges support the wheel thus reducing the possibility of wheel breakage.*
- f) **The outside diameter and the thickness of your accessory must be within the capacity rating of your power tool.** *Incorrectly sized accessories cannot be adequately guarded or controlled.*
- g) **The arbour size of wheels and flanges must properly fit the spindle of the power tool.** *Wheels and flanges with arbour holes that do not match the mounting hardware of the power tool will run out of balance, vibrate excessively and may cause loss of control.*
- h) **Do not use damaged wheels. Before each use, inspect the wheels for chips and cracks. If the power tool or wheel is dropped, inspect for damage or install an undamaged wheel. After inspecting and installing the wheel, position yourself and bystanders away from the plane of the rotating wheel and run the power tool at maximum no load speed for one minute.** *Damaged wheels will normally break apart during this test time.*
- i) **Wear personal protective equipment. Depending on application, use face shield, safety goggles or safety glasses. As appropriate, wear dust mask, hearing protectors, gloves and shop apron capable of stopping small abrasive or workpiece fragments.** *The eye protection must be capable of stopping flying debris generated by various operations. The dust mask or respirator must be capable of filtering particles generated by your operation. Prolonged exposure to high intensity noise may cause hearing loss.*

- j) **Keep bystanders a safe distance away from work area. Anyone entering the work area must wear personal protective equipment.** *Fragments of workpiece or of a broken wheel may fly away and cause injury beyond immediate area of operation.*
- k) **Position the cord clear of the spinning accessory.** *If you lose control, the cord may be cut or snagged and your hand or arm may be pulled into the spinning wheel.*
- l) **Regularly clean the power tool's air vents.** *The motor's fan can draw the dust inside the housing and excessive accumulation of powdered metal may cause electrical hazards.*
- m) **Do not operate the power tool near flammable materials. Do not operate the power tool while placed on a combustible surface such as wood.** *Sparks could ignite these materials.*
- n) **Do not use accessories that require liquid coolants.** *Using water or other liquid coolants may result in electrocution or shock.*

2) Kickback and related warnings

Kickback is a sudden reaction to a pinched or snagged rotating wheel. Pinching or snagging causes rapid stalling of the rotating wheel which in turn causes the uncontrolled cutting unit to be forced upwards toward the operator.

For example, if an abrasive wheel is snagged or pinched by the workpiece, the edge of the wheel that is entering into the pinch point can dig into the surface of the material causing the wheel to climb out or kick out. Abrasive wheels may also break under these conditions.

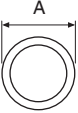
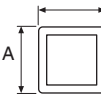
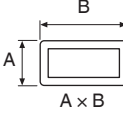
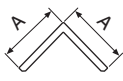
Kickback is the result of power tool misuse and/or incorrect operating procedures or conditions and can be avoided by taking proper precautions as given below.

- a) **Maintain a firm grip on the power tool and position your body and arm to allow you to resist kickback forces.** *The operator can control upward kickback forces, if proper precautions are taken.*
- b) **Do not position your body in line with the rotating wheel.** *If kickback occurs, it will propel the cutting unit upwards toward the operator.*
- c) **Do not attach a saw chain, woodcarving blade, segmented diamond wheel with a peripheral gap greater than 10 mm or toothed saw blade.** *Such blades create frequent kickback and loss of control.*
- d) **Do not "jam" the wheel or apply excessive pressure. Do not attempt to make an excessive depth of cut.** *Overstressing the wheel increases the loading and susceptibility to twisting or binding of the wheel in the cut and the possibility of kickback or wheel breakage.*
- e) **When the wheel is binding or when interrupting a cut for any reason, switch off the power tool and hold the cutting unit motionless until the wheel comes to a complete stop. Never attempt to remove the wheel from the cut while the wheel is in motion otherwise kickback may occur.** *Investigate and take corrective action to eliminate the cause of wheel binding.*
- f) **Do not restart the cutting operation in the workpiece. Let the wheel reach full speed and carefully re-enter the cut.** *The wheel may bind, walk up or kickback if the power tool is restarted in the workpiece.*
- g) **Support any oversized workpiece to minimize the risk of wheel pinching and kickback.** *Large workpieces tend to sag under their own weight. Supports must be placed under the workpiece near the line of cut and near the edge of the workpiece on both sides of the wheel.*

ADDITIONAL SAFETY WARNINGS

1. Use the normal cut-off wheel on its normal working surface.
2. Guard against cut-off sparks.
3. Properly replace the cut-off wheel.
4. Always pay attention that the cut-off wheel clamping parts are never impaired. Defective parts will cause damage to the cut-off wheel.
5. Ensure that the workpiece is free of foreign matter such as nails.
6. Abrasive wheels shall be stored and handled with care in accordance with manufacturer's instructions.
7. Ensure that mounted wheel are fitted in accordance with the manufacture's instructions.
8. Do never use the machine without the guard in place. Always use the blade guard. A blade guard protects the user against broken off parts of the cutting disc and against accidental touching of the cutting disc.
9. Make sure that the guard operates properly and that it can move freely. Never lock the guard in place when opened.
10. Secure the workpiece. A workpiece clamped with clamping devices or in a vice is held more secure than by hand.
11. Do not use saw blade.
12. Store the machine in a safe manner when not being used. The storage location must be dry and lockable. This prevents the machine from storage damage, and from being operated by untrained persons.

SPECIFICATIONS

| | | | | | |
|---|-----------------------------|---|---|---|--|
| Voltage (by areas)*1 | | (220 V, 230 V, 240 V) ~ | | | |
| Power Input*1 | | 2200 W | | | |
| Max. cutting dimensions*2 Height x width | Shape of material to be cut |  |  |  |  |
| | Cutting angle 0° | 120 mm | 115 mm | 90 mm x 200 mm | 130 mm |
| | Cutting angle 45° | 115 mm | 104 mm | 110 mm x 104 mm | 100 mm |
| Cut-off wheel | | ø355 x ø25.4 x 4 mm (Reinforced resinoid cut-off wheel) | | | |
| No-load Speed | | 4100 min ⁻¹ | | | |
| Max. working peripheral speed | | 4800 m/min | | | |
| Weight*3 | | 17.0 kg | | | |

*1 Be sure to check the nameplate on product as it is subject to change by areas.

*2 The maximum cutting dimensions are the permissible cutting dimensions when the cut-off wheel is not remarkably worn by cutting material.

*3 According to EPTA-Procedure 01/2014

STANDARD ACCESSORIES

- (1) Cut-off wheel..... 1
- (2) Hex. bar wrench..... 1

APPLICATIONS

Cutting of various metallic materials such as pipes, round bars and shaped steel.

PRIOR TO OPERATION

1. Power source

Ensure that the power source to be utilized conforms to the power requirements specified on the product nameplate.

2. Power switch

Ensure that the power switch is in the OFF position. If the plug is connected to a receptacle while the power switch is in the ON position, the power tool will start operating immediately, which could cause a serious accident.

3. Extension cord

When the work area is removed from the power source, use an extension cord of sufficient thickness and rated capacity. The extension cord should be kept as short as practicable.

4. Install the machine on a level flat place, and keep it in a stable condition. Prior to shipping, the equipment is subjected to a rigid factory inspection to prevent electric shocks during operation.
5. Since movable portions are secured by tension of a chain while in transit, remove the chain from the chain hook by slightly depressing the switch handle.
6. Ascertain that all cut-off wheels are in perfect condition, and do not display scars and cracks.
7. Although they have been fully clamped at the factory prior to delivery, reclamp the clamping nuts securely for safety.
8. Possible accidents such as a cracked cut-off wheel is prevented by this protective cover (wheel cover). Although it has been fully clamped at the factory prior to delivery, securely reclamp the mounting screws for safety.
9. When replacing the cut-off wheel, ensure that the replacement cutting wheel has a designed circumferential speed in excess of 4800 m/min.
10. Ensure that the bar spanner used for tightening or removing the cut-off wheel is not attached to the machine.
11. Check that the work piece is properly supported. Ensure that the material is securely fastened with the vise. If it is not, a serious accident could be caused if the material comes loose or the cut-off wheel breaks during operation.

12. Ensure that the abrasive wheel is correctly fitted and tightened before use and run the machine at no-load for 30 seconds in safe position, stop immediately if there is a considerable vibration or if other defects are detected. If this condition occurs, check the machine to determine the cause.
13. Rotate the cut-off wheel to inspect any facial deflection. A heavy deflection will cause the cut-off wheel to shift.
14. Ensure that ventilation openings are kept clear when working in dusty conditions. If it should become necessary to clear dust, first disconnect the machine from the mains supply.

CUTTING PROCEDURES

CAUTION

It is dangerous to remove or install the workpiece while the cut-off wheel turning.

1. Operating the switch

Power will be turned on when the switch is pulled, and turned off when released. (Fig.2)

2. Cutting

- (1) Rotate the cut-off wheel, gently press down the handle, and bring the cut-off wheel close to the cutting material.
- (2) When the cut-off wheel contacts the cutting material, gently press down the handle further and start cutting.
- (3) When cutting (or designated slotting) is completed, raise the handle and restore it to its original position.
- (4) At the termination of each cutting process, turn OFF the switch to stop rotation and proceed with the subsequent cutting job.

CAUTION

It does not necessarily cut rapidly when putting more force on the handle.

Too much force on the handle will put excessive pressure on the motor and reduce its capacity.

Do not fail to switch OFF the switch after operation is completed and pull the plug out.

MOUNTING AND DISMOUNTING THE CUT-OFF WHEEL

CAUTION

Use gloves when handling the cut-off wheels.

1. Dismounting the cut-off wheel (Fig. 3 and 4)

- (1) Raise lower gurd (A) and lower gurd (B).
Press down on the stopper pin to bring it into contact with the wheel washer.
Rotate the cut-off wheel, pass the stopper pin through the hole on the wheel washer and then remove the M10 bolt with the hexagonal bar wrench supplied.
- (2) Remove the bolt, washer (A), and the wheel washer and detach the cut-off wheel. (Fig. 4)

CAUTION

Do not remove the O-ring or sleeve from the cut-off wheel spindle.

2. Mounting the cut-off wheel

Thoroughly remove dust from the wheel washers and bolt then mount the wheel by following the dismounting procedures in reverse order. Return lower gurd (A) and lower gurd (B) to its original position.

CAUTION

Confirm that the stopper which was used for installation and removal of the cut-off wheel has returned to the retract position.

HOW TO OPERATE

1. Procedure for fixing the cutting material (Fig. 5 and 6)

Place the workpiece material between vise (A) and vise (B), raise the clutch and push the screw handle to bring vise (A) lightly into contact with the workpiece material, as shown in Fig. 5.

Then, turn the clutch down, and securely fix the workpiece material in position by turning the screw handle. When the cutting job is completed, turn the screw handle 2 or 3 times to loosen the vise (A), and remove the workpiece material, as shown in Fig. 6.

CAUTION

Never remove or install a workpiece material while the cut-off wheel is rotating, to avoid personal injury.

2. Cutting at angles (Fig. 7)

- (1) The machine permits cutting at angles of 0° or 45°.
- (2) Loosen the two M10 hexagon socket head bolts on the vise (B), then set the working surface on the vice-jaw at any angles of 0°, 30°, or 45°. Upon completion of setting, securely tighten the two 10 mm bolts.

3. Moving the stationary vise-jaw (Fig. 8)

The vise opening is set at the maximum of 165 mm when shipped from the factory. In case an opening of more than 165 mm is required, move the vise to the position shown by the chain line after unscrewing the two bolts. The maximum opening can be set in two steps 200 mm and 235 mm. When the cutting material is excessively wide, the vise can be effectively used by repositioning the stationary side of the vise-jaws.

4. Cutting long workpiece materials (Fig.9)

Make sure you place both ends of long workpiece materials on blocks that are the same height as the base to stabilize it prior to beginning work.

5. How to use square block (Fig. 10)

When the cut-off wheel has a reduced outer diameter, insert between the vise (A) and (B) a square block slightly smaller than the dimension of workpiece being cut to use the cut-off wheel economically.

6. Adjusting the cutting depth (Fig. 11)

When the cut-off wheel has a reduced outer diameter, change the height of the stopper bolt to adjust the cutting depth. Adjustments are made by loosening the lock nut and rotating the stopper bolt. When finished, retighten the lock nut to fix the stopper bolt in place.

It is possible to eradicate splinters depending on the material.

CAUTION

- Make sure the height of the stopper bolt is readjusted when the cut-off wheel is replaced.
 - If the stopper bolt is too low, there is a chance that the cut-off wheel will cut into the base.
- ### 7. Adjusting the spark sheet (Fig.12)
- Loosen the screw holding the spark sheet in place with a phillips screwdriver to adjust the angle.
Change the angle in accordance with the prevalent environment and the work required to adjust the direction in which the sparks fly.
- ### 8. Transporting the unit (Fig.13)
- When moving the unit, attach the chain hook onto the chain and grip the carrying handle to carry it.

MAINTENANCE AND INSPECTION

CAUTION

Be sure to switch off and pull off the plug from the power outlet before inspection and maintenance.

1. Replacing a cut-off wheel

When the cut-off wheel has already become dull while continually using, the unnecessary load is got from the motor. Consequently, redress or replace a dull cut-off wheel to ensure grinding efficiency.

2. Inspecting the carbon brushes (Fig. 14)

The Motor employs carbon brushes which are consumable parts. Since an excessive worn carbon brush can result in motor trouble, replace both carbon brushes with new ones shown in the figure when it becomes worn to or near the "wear limit". In addition, always keep carbon brushes clean and ensure that they slide freely within the brush holders.

3. Inspecting the mounting screws

Regularly inspect all mounting screws and ensure that they are properly tightened. Should any of the screws be loose, retighten them immediately. Failure to do so could result in serious hazard.

4. Replacing supply cord

If the replacement of the supply cord is necessary, it has to be done by HiKOKI Authorized Service Center to avoid a safety hazard.

5. Lubrication

Supply oil in the following oil supply points once a month so as to keep the machine workable for a long time.

Oil supply points.

- Rotary part of shaft
- Rotary part of vise
- Slide way of vise (A)

6. Cleaning

Wipe off chip and waste adhered to the machine with a cloth or the like time to time. Be careful not to make the motor portion wet with oil or water.

CAUTION

In the operation and maintenance of power tools, the safety regulations and standards prescribed in each country must be observed.

GUARANTEE

We guarantee HiKOKI Power Tools in accordance with statutory/country specific regulation. This guarantee does not cover defects or damage due to misuse, abuse, or normal wear and tear. In case of complaint, please send the Power Tool, undismantled, with the GUARANTEE CERTIFICATE found at the end of this Handling instruction, to a HiKOKI Authorized Service Center.

NOTE

Due to HiKOKI's continuing program of research and development, the specifications herein are subject to change without prior notice.

Information concerning airborne noise and vibration

The measured values were determined according to EN62841.

The typical A-weighted sound pressure level: 95 dB (A).

The typical A-weighted sound power level: 108 dB (A).

Wear hearing protection.

● Information about power supply system of nominal voltage 230 V~

Under unfavorable mains conditions, this power tool may cause *transient voltage drops or interfering voltage fluctuations*.

This power tool is intended for the connection to a power supply system with a maximum permissible system impedance Z_{MAX} of 0.14 Ohm at the interface point (power service box) of the user's supply.

The user has to ensure that this power tool is connected only to a power supply system which fulfills the requirement above.

If necessary, the user can ask the public power supply company for the system impedance at the interface point.

● Information about power supply system of nominal voltage 230 V~

This tool should be used only if it is connected to a 16 A Fuse with gl disconnection characteristic.

GENEL ELEKTRİKLI ALET GÜVENLİK UYARILARI

⚠ DİKKAT

Bu elektrikli aletle birlikte verilen tüm güvenlik uyarılarını, talimatları, şekilli açıklamaları ve teknik özellikleri okuyun.

Aşağıda listelenen tüm talimatlara uyulmaması elektrik çarpmasına, yangına ve/veya ciddi yaralanmaya neden olabilir.

Bu kılavuzu gelecekte başvurmak üzere saklayın.

Uyarılarda kullanılan "elektrikli alet" terimi, şebeke elektriğiyle çalışan (kablolu) veya pille çalışan (kablesiz) elektrikli aletinizi belirtir.

1) Çalışma alanının güvenliği

- Çalışma alanını iyi aydınlatılmış ve temiz tutun.**
Dağınık veya karanlık alanlar kazalara davetiye çıkarır.
- Elektrikli aletlerin yanıcı sıvı, gaz veya toz gibi patlayıcı maddelerin bulunduğu ortamlarda çalıştırmayın.**
Elektrikli aletlerin çıkardığı kıvılcımlar toz veya gaz halindeki bu maddeleri ateşleyebilir.
- Bir elektrikli aletle çalışırken çocukları ve izleyicileri uzaklaştırın.**
Dikkatinizin dağılması kontrolü kaybetmenize neden olabilir.

2) Elektrik güvenliği

- Elektrikli aletin fişi elektrik prizine uygun olmalıdır. Fiş üzerinde herhangi bir değişiklik yapmayın. Topraklanmış elektrikli aletlerle herhangi bir adaptör kullanmayın.**
Fişlerde değişiklik yapılmaması ve uygun prizlerde kullanılması elektrik çarpması riskini azaltacaktır.
- Borular, radyatörler, fırınlar ve buzdolapları gibi topraklanmış yüzeylerle gövde temasından kaçının.**
Vücudunuzun toprakla temasa geçmesi halinde elektrik çarpması riski artar.
- Elektrikli aletleri yağmura veya ıslak ortamlara maruz bırakmayın.**
Elektrikli alete su girmesi elektrik çarpması riskini artıracaktır.
- Elektrik kablolarına zarar vermeyin. Kesinlikle elektrikli aleti taşımak, çekmek veya fişini prizden çıkarmak için kabloyu kullanmayın.**
Kabloyu ısızdan, yağdan, keskin kenarlardan veya hareketli parçalardan uzak tutun.
Hasar görmüş veya dolaşmış kablolar elektrik çarpması riskini artırır.
- Elektrikli aleti açık alanda kullanırken, açık alanda kullanıma uygun bir uzatma kablosu kullanın.**
Açık alanda kullanıma uygun bir kablo kullanılması elektrik çarpması riskini azaltır.
- Eğer bir elektrikli aletin ıslak bir yerde kullanılması kaçınılmaz ise, artık akım cihazıyla (RCD) korunan bir güç kaynağı kullanın.**
RCD kullanılması elektrik çarpması riskini azaltır.

3) Kişisel emniyet

- Bir elektrikli alet kullanırken daima tetikte olun; yaptığınız işi izleyin ve sağlıklı davranın.**
Aleti yorgunken, alkol veya ilaç etkisi altındayken kullanmayın.
Elektrikli aletleri kullanırken göstereceğiniz bir anlık dikkatsizlik ciddi yaralanmaya sonuçlanabilir.

- Kişisel koruyucu donanım kullanın. Daima koruyucu gözlük takın.**
Uygun koşullar için kullanılan bir toz maskesi, kaymaz emniyet ayakkabıları, kask veya kulak koruyucu gibi koruyucu ekipmanlar yararlanılmalı azaltacaktır.
- Aletin istenmeden çalışmasını engelleyin. Aleti güç kaynağına ve/veya akü ünitesine bağlamadan, kaldırmadan veya taşımadan önce, güç düğmesinin kapalı konumda olduğundan emin olun.**
Elektrikli aletleri parmağınız güç düğmesinin üzerinde olarak taşımamız veya güç düğmesi açılmış durumda fişini takmanız kazalara davetiye çıkarır.
- Elektrikli aletin gücünü açmadan önce alet üzerindeki ayar veya somun anahtarlarını çıkarın.**
Aletin dönen parçalarından birine bağlı kalan bir somun anahtar veya ayar anahtar yaralanmaya yol açabilir.
- Çok uzanmayın. Uygun bir adım mesafesi bırakın ve sürekli olarak dengenizi koruyun.**
Böylece, beklenmedik durumlarda aleti daha iyi kontrol etmeniz mümkün olur.
- Uygun şekilde giyinin. Bol elbiseler giymeyin veya takı takmayın. Saçlarınızı ve elbiselerinizi hareketli parçalardan uzak tutun.**
Bol elbiseler, takılar veya uzun saçlar hareketli parçalara takılabilir.
- Eğer toz çekme ve toplama bağlantıları için gerekli aygıtlar sağlanmışsa, bunların bağlı olduğundan ve doğru şekilde kullanıldığından emin olun.**
Toz toplama kullanımı, tozla ilişkili tehlikeleri azaltabilir.
- Aletlerin sık kullanılmasıyla elde edilen aşınalığın rahat davranmanıza ve aletin güvenlik prensiplerini ihmal etmenize sebep olmasına izin vermeyin.**
Dikkatsiz bir hareket, bir anda ciddi yaralanmalara neden olabilir.
- Elektrikli aletin kullanımı ve bakımı**
 - Elektrikli aleti zorlamayın. Uygulanamaz için doğru alet kullanın.**
Doğru alet, işinizi daha iyi ve tasarlanmamış olduğu hız değerinde daha güvenli şekilde yapacaktır.
 - Elektrikli alet güç düğmesinden açılıp kapanmıyorsa, aleti kullanmayın.**
Güç düğmesiyle kontrol edilemeyen bir alet tehlikelidir ve tamir edilmeden kullanılmamalıdır.
 - Herhangi bir ayar yapmadan, aksesuarları değiştirmeden veya aleti saklamadan önce fişi güç kaynağından sökün ve/veya sökülebilirse pil takımını elektrikli aletten çıkartın.**
Bu koruyucu güvenlik önlemleri, elektrikli aletin kazaya çalışma riskini azaltır.
 - Atıl durumdaki elektrikli aletleri çocukların ulaşamayacağı bir yerde saklayın ve elektrikli alet ve bu kullanım talimatları hakkında bilgi sahibi olmayan kişilerden aleti kullanmasına izin vermeyin.**
Elektrikli aletler eğitimsiz kullanıcıların elinde tehlikelidir.
 - Aletlerin ve aksesuarların bakımını yapın.**
Hareketli parçalarda yanlış hizalama veya sıkışma olup olmadığını, kırık parça olup olmadığını ve elektrikli aletin çalışmasını etkileyebilecek diğer koşulları kontrol edin. Eğer hasar varsa, kullanmadan önce aleti tamir ettirin.
Kazaların çoğu elektrikli aletlere kötü bakım işlemleri uygulanmasından kaynaklanmaktadır.

- f) **Aletleri keskin ve temiz tutun.**
Uygun şekilde bakımı yapılan, keskin kenarlara sahip aletlerin sıkışma ihtimali daha azdır ve kontrol edilmesi daha kolaydır.
- g) **Elektrikli aleti, aksesuarları, uçları, v.b., bu talimatlara uygun şekilde, çalışma koşullarını ve yapılacak işi göz önünde bulundurarak kullanın.**
Elektrikli aletin amaçlanan kullanımlardan farklı işlemler için kullanılması tehlikeli bir duruma yol açabilir.
- h) **Tutamakları ve kavrama yüzeylerini kuru, temiz, yağsız ve gressiz tutun.**
Kaygan tutamaklar ve kavrama yüzeyleri, beklenmedik durumlarda aletin güvenli bir şekilde idare ve kontrol edilmesine izin vermez.
- 5) **Servis**
- a) **Elektrikli aletinizin servisini sadece orijinal yedek parçalar kullanmak suretiyle uzman bir tamirciye yaptırın.**
Böylece, elektrikli aletin güvenli kullanımı sağlanacaktır.

ÖNLEM

Çocukları ve akli dengesi yerinde olmayan kişileri uzak tutun. Alet, kullanılmadığı zamanlarda çocukların ve akli dengesi yerinde olmayan kişilerin ulaşamayacağı bir yerde saklanmalıdır.

PROFİL KESME MAKİNESİ GÜVENLİK UYARILARI

- 1) **Profil kesme makinesi güvenlik uyarıları**
- a) **Kendinizi ve etrafınızdakileri döner diskin düzleminden uzağa konumlandırın.** *Muhafaza, operatörü kırılan disk parçalarından ve kazayla diske temas etmekten korur.*
- b) **Elektrikli aletinizin için yalnızca bağlı takviyeli profil kesme diskleri kullanın.** *Bir aksesuarın sadece elektrikli aletinize takılabiliyor olması güvenli çalışmayı garanti etmez.*
- c) **Aksesuarın anma hızı, en az elektrikli alet üzerinde işaretli olan maksimum hıza eşit olmalıdır.** *Anma hızlarından daha yüksek hızda çalışan aksesuarlar kırılarak fırlayabilir.*
- d) **Diskler sadece tavsiye edilen uygulamalar için kullanılmalıdır.** *Örneğin: bir kesme diskinin kenarıyla taşlama yapmayın. Aşındırıcı kesme diskleri çevresel taşlama amaçlıdır; bu disklere uygulanan yan kuvvetler parçalanmalarına neden olabilir.*
- e) **Daima seçtiğiniz disk için uygun çapa sahip, hasar görmemiş disk flaşları kullanın.** *Uygun disk flaşları diski desteklemek suretiyle kırılma olasılığını azaltır.*
- f) **Aksesuarınızın dış çapı ve kalınlığı, elektrikli aletinizin nominal kapasitesi dahilinde olmalıdır.** *Yanlış boyutlu aksesuarlar uygun şekilde korunamaz ve kontrol edilemez.*
- g) **Disklerin ve flaşların mil yuvası boyutu elektrikli aletin miline uygun şekilde oturmaldır.** *Elektrikli aletin montaj donanımına uymayan mil deliklerine sahip diskler ve flaşlar denge kaybına, aşın titreşime ve kontrol kaybına neden olacaktır.*
- h) **Hasarlı diskleri kullanmayın.** *Her kullanımdan önce, disklerde kırıklar ve çatlaklar olup olmadığını kontrol edin. Elektrikli alet veya disk düşürülürse hasara karşı kontrol edin veya hasar görmemiş disk takın. Diski kontrol ettikten ve taktıktan sonra, kendinizle birlikte çevredeki insanları da döner diskin düzleminde*

uzaklaştırın ve elektrikli aleti bir dakika için maksimum yüksüz hızda çalıştırın. *Hasar gören diskler normalde bu test süresi içerisinde aletten koparak ayrılacaktır.*

- i) **Kişisel koruyucu donanım kullanın. Uygulamaya bağlı olarak, yüz siperi, koruyucu gözlük veya emniyet gözlüğü kullanın. Gerekliğinde toz maskesi, kulak koruyucusu, eldiven ve küçük aşındırıcı veya iş parçası parçacıklarını durdurabilecek bir önlük kullanın.** *Koruyucu gözlük, çeşitli işlemlerin ürettiği fırlayan parçaları durdurabilmelidir. Toz maskesi veya solunum maskesi, çalışmanızın ürettiği parçacıkları süzme yeteneğine sahip olmalıdır. Yüksek gürültü yoğunluğuna uzun süre maruz kalmak, işitme kayıplarına neden olabilir.*
- j) **Çevredeki insanlarla çalışma alanı arasında bir güvenlik mesafesi koruyun. Çalışma alanına giren herkes, kişisel koruyucu donanım kullanmalıdır.** *İş parçasından veya kırılan bir diskin ayrılan parçacıklar fırlayarak, yakın çalışma alanının ötesinde yaranalmaya neden olabilir.*
- k) **Kabloyu döner aksesuardan uzağa yerleştirin.** *Kontrolü kaybederseniz kablo kesilebilir veya takılabılır ve eliniz veya kolunuz döner disk tarafından çekilebilir.*
- l) **Elektrikli aletin hava çıkışı deliklerini düzenli olarak temizleyin.** *Aksi halde, motor fanı tozu muhafazanın içine çekebilir ve fazla metal tozu birikmesi elektrik arızasına neden olabilir.*
- m) **Elektrikli aleti yanıcı maddelerin yakınında kullanmayın.** *Elektrikli aleti aışıp gibi yanıcı bir yüzey üzerine yerleştirilmiş halde kullanmayın. Kıvılcıklar bu malzemeleri ateşleyebilir.*
- n) **Sıvı soğutma maddeleri gerektiren aksesuarlar kullanmayın.** *Su veya başka sıvı soğutucuların kullanılması elektrik çarpmasına ve hatta ölüme yol açabilir.*

2) Geri tepme ve ilgili uyarılar

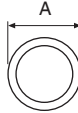

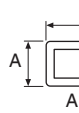
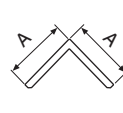
- Ger i tepme, sıkışma veya takılan bir döner diske verilen ani bir tepkidir. Sıkışma veya takılma döner diskin hızlı bir şekilde durmasına neden olarak kontrolsüz kesme ünitesinin yukarıya yani operatöre doğru zorlanmasına neden olur.**
Örneğin, bir taşlama diski iş parçası tarafından engellenir veya sıkıştırılırsa, diskin sıkışma noktasına giren kenarı malzemenin yüzeyini delerek diskin dışarıya doğru kaymasına veya geri tepmesine neden olabilir. Aynı zamanda, aşındırıcı diskler bu koşullar altında kırılabilir.
- Ger i tepme, elektrikli aletin yanlış kullanılmasının ve/veya yanlış çalıştırma işlemlerinin veya koşullarının sonucu oluşur ve aşağıda belirtildiği gibi uygun önlemler alınarak engellenebilir.**
- a) **Elektrikli aleti sıkı şekilde kavrayın ve vücudunuzun ve kolunuzun konumunu geri tepme kuvvetlerine dayanacak şekilde ayarlayın.** *Uygun önlemler alınırsa operatör yukarıya doğru olan geri tepme kuvvetlerini kontrol edebilir.*
- b) **Vücudunuzu döner diskle aynı hizada tutmayın.** *Ger i tepme meydana gelirse kesme ünitesi yukarı yani operatöre doğru itilecektir.*
- c) **Testere zinciri, aışıp oyma bıçağı, çevresel boşluğu 10 mm'den daha büyük bölmeli elmas disk veya dişli testere bıçağı takmayın.** *Bu tür bıçaklar sık sık geri tepme yaratır ve kontrol kaybına neden olur.*

- d) Diski “sıkıştırmayın” veya aşırı baskı uygulamayın. Aşırı derinlikte kesim yapmaya çalışmayın. Diske aşırı baskı uygulanması, kesme işlemi sırasında diskin yükünü ve bükülme veya yapışma hassasiyetini ve geri tepme veya disk kırılma olasılığını artırır.
- e) Disk sıkıştığında veya herhangi bir nedenle bir kesme işlemine ara verdiğinizde, elektrikli aleti kapatın ve disk tamamen duruncaya kadar kesme ünitesini hareketsiz olarak tutun. Kesinlikle disk hareket etmeye devam ederken diski kesme noktasından çıkarmaya çalışmayın; aksi takdirde geri tepme oluşabilir. Diskin sıkışma nedenini araştırın ve gidermek için gerekli işlemi yapın.
- f) Kesme işlemini iş parçası içinde tekrar başlatmayın. Diskin tam hıza ulaşmasını bekleyin ve dikkatli bir şekilde kesme noktasına tekrar girin. Eğer elektrikli alet iş parçası üzerinde tekrar çalıştırılmaya başlanırsa, disk sıkışabilir, hareket edebilir veya geri tepebilir.
- g) Diskin sıkışma veya geri tepme riskini en aza indirmek için büyük boyutlu iş parçalarını destekleyin. Büyük iş parçaları, kendi ağırlıklarında büyük eğilimi gösterirler. Destekler, kesme çizgisinin yakınında iş parçasının altına ve diskin her iki tarafında iş parçasının kenarına yakın olarak yerleştirilmelidir.

İLAVE GÜVENLİK UYARILARI

- Normal profil kesme diskini, uygun normal yüzeylerde tatbik edin.
- Kesme esnasında oluşacak kıvılcımlara karşı kendinizi koruyun.
- Profil kesme diskini değiştirirken düzgün yerleştirin.
- Kesme diskinin bağlantı parçalarının aşınmamış ve sağlam olmasına her zaman özen gösterin. Bozuk bağlantı parçaları kesme diskinde zarar verir.
- Çalıştığınız yüzeyde, çivi gibi yabancı maddelerin olmadığına emin olun.
- Zımparalama diski, üretici kılavuzunda belirttiği şekilde saklanmalı ve dikkatle kullanılmalıdır.
- Diskin, üretici kılavuzunda belirtildiği şekilde yuvasına takılmış olduğundan emin olunuz.
- Koruma parçası üzerinde takılı olmadan makineyi asla kullanmayınız. Her zaman bıçak koruyucuyu kullanın. Bir bıçak koruyucu, kullanıcıyı kesme diskinin kırılan parçalarına ve kesme diskinde kazara dokunmaya karşı korur.
- Koruyucunun düzgün çalıştığından ve serbest bir şekilde hareket edebildiğinden emin olun. Açıldığında asla koruyucuyu yerine kilitlemeyin.
- İş parçasını emniyete alın. Sıkma aletleriyle veya menegüyle sıkıştırılan bir iş parçası, elle olduğundan daha emniyetli şekilde tutulur.
- Testere bıçağı kullanmayın.
- Makineyi kullanılmadığında güvenli bir şekilde depolayın. Depolama yeri mutlaka kuru ve kilitlenebilir olmalıdır. Bu, makineyi depolama hasarından korur ve eğitimsiz kişiler tarafından kullanılmasını engeller.

TEKNİK ÖZELLİKLER

| | | | | | |
|--|----------------------------|--|--|--|---|
| Voltaj (bölgelere göre)*1 | | (220 V, 230 V, 240 V) ~ | | | |
| Güç girişi*1 | | 2200 W | | | |
| Maksimum Kesme Boyutları*2 Yükseklik x Genişlik | Kesilecek malzemenin şekli |  |  |  |  |
| | Kesme açısı, 0° | 120 mm | 115 mm | 90 mm x 200 mm | 130 mm |
| | Kesme açısı, 45° | 115 mm | 104 mm | 110 mm x 104 mm | 100 mm |
| Profil kesme diski | | ø355 x ø25,4 x 4 mm (Güçlendirilmiş reçineli profil kesme diski) | | | |
| Yüksüz hız | | 4100 dak ⁻¹ | | | |
| Maksimum çevresel çalışma hızı | | 4800 m/dak | | | |
| Ağırlık*3 | | 17,0 kg | | | |

*1 Bu değer bölgeden bölgeye değişiklik gösterdiği için ürünün üzerindeki plakayı kontrol etmeyi unutmayın.

*2 Maksimum kesme boyutları, profil kesme diski kesilecek parça tarafından önemli ölçüde aşındırılmamış olduğunda izin verilebilir kesme boyutlarıdır.

*3 EPTA-Prosedürü 01/2014'e göre

STANDART AKSESUARLAR

- (1) Profil kesme diski 1
(2) Altıgen somun lokma anahtarı 1

UYGULAMALAR

Borular, yuvarlak çubuklar ve şekillendirilmiş çelik gibi muhtelif metal malzemelerin kesilmesi.

ALETİ KULLANIM ÖNCESİNDE

1. Güç Kaynağı

Kullanacağınız güç kaynağının, aletin etiketinde belirtilen elektrik gereklilerine uygun olduğundan emin olun.

2. Güç Şalteri

Güç şalterinin OFF konumunda olduğundan emin olun. Şalter ON konumundayken güç kaynağına bağlanan alet hemen çalışmaya başlayarak ciddi bir kazaya neden olabilir.

3. Uzatma Kablosu

Çalışma yeri güç kaynağına uzak olduğunda, yeterli kalınlık ve kapasiteye sahip bir uzatma kablosu kullanın. Uzatma kablosu mümkün olduğunca kısa tutulmalıdır.

4. Makinayı düz bir yere yerleştirerek sabitleyin. Makina fabrikadan çıkışında kullanılan sırasında oluşabilecek elektrik çarpmalarına karşı korunmak üzere detaylı bir kontrolden geçmiştir.

5. Taşıma sırasında makinanın tüm çıkarılabilir parçaları bir gerdirme zinciriyle sağlamlaştırılmıştır. Düşmesine yavaşça basarak bu gerdirme zincirini yuvasından çıkartınız.

6. Tüm kesme disklerinin mükemmel durumda olduklarından ve herhangi bir çatlak veya çizik olmadığından emin olunuz.

7. Fabrikadan çıkarken tüm civatalar sıkıca sıkılmışlardır. Ancak, güvenlik amacıyla tüm sıkma civatalarını tekrar sıkınız.

8. Diskin çatlamasından meydana gelecek kazalar koruyucu kılıf (disk kılıfı) tarafından önlenmektedir. Disk kılıfı, fabrikadan tamamen sıkılmış olarak çıkmış olmasına rağmen, güvenlik için civataları tekrar sıkarak kontrol ediniz.

9. Kesme diskini değiştirirken, yeni kullanacağınız kesme diskinin 4800m/dk'lık çevresel dönme hızında imal edilmiş olduğundan emin olunuz.

10. Kesme diskini sıkıştırmak veya çıkartmak için kullanılan boru anahtarın makinaya takılı olmadığından emin olunuz.

11. Üstünde çalışılacak parçanın düzgün bir şekilde desteklenmiş olduğunu kontrol edin. Malzemenin mengeneyle sabitlenmiş olduğundan emin olun. Aksi takdirde, parçanın yerinden çıkması veya kesme diskinin kırılması durumunda ciddi bir kaza meydana gelebilir.

12. Taşıma diskinin, kullanmadan önce düzgün bir şekilde bağlanmış ve sıkılmış olduğundan emin olun ve makinayı 30 saniye kadar boş olarak emniyetli konumda çalıştırın. Eğer herhangi bir anormal titreşim veya başka bir arıza varsa, makinayı derhal durdurun. Tekrar çalıştırdığınızda aynı durum devam ediyorsa nedenini bulmak için makinayı kontrol edin.

13. Yüzeyle herhangi bir eğrilik olup olmadığını kontrol etmek için kesme diskini döndürün. Aşırı eğrilik diskin yerinden çıkmasına neden olur.

14. Tozlu alanlarda çalışırken havalandırma kanallarının açık olduğundan emin olun. Tozu temizlemek gerekirse, öncelikle makinanın elektrik fişini çekin.

KESME İŞLEMLERİ

DİKKAT

Kesilecek parçanın kesme diski dönerken yerleştirilmesi veya yerinden oynatılması tehlikelidir.

1. Düşmenin Çıkarılması

Anahtar çekilince güç açılır, bırakınca kapatılır. (Şekil. 2)

2. Kesme

(1) Kesme diskini döndürün, yavaşça kolu aşağıya bastırarak kesme diskini kesilecek parçaya yaklaştırın.

(2) Kesme diski kesilecek parçaya temas edince, yavaşça kolu daha aşağıya iterek kesmeye başlayın.

(3) Kesme tamamlandığında (veya istenen delik açılınca), kolu yukarıya doğru kaldırarak orijinal yuvasına getirin.

(4) Her kesme işleminin sonunda, dönme durdurmak için düğmeyi kapatın, ve sonraki işleme de aynı şekilde devam edin.

DİKKAT

Makinanın kolundan daha kuvvetli bastırılması kesme işleminin daha çabuk olacağı anlamına gelmez. Kola fazla yük bindirmek motora fazla basınç uygulayacak ve kapasitesini azaltacaktır. Kesme işlemi bittikten sonra, makinayı kapatıp, elektrik fişini çekmeyi unutmayınız.

PROFİL KESME DISKİNİN TAKILMASI VE ÇIKARTILMASI

DİKKAT

Kesme disklerini tutarken eldiven kullanın.

1. Kesme diskini çıkartılması (Şekil. 3 ve 4)

(1) Alt koruyucuyu (A) ve alt koruyucuyu (B) kaldırın.

İnce disk puluyla temas etmesi için stoper pimin üzerine bastırın.

Profil kesme diskini döndürün, stoper pimi ince disk pulunun üzerindeki delikten geçirin ve ürünle birlikte verilen altigen çubuk lokma anahtarını kullanarak M10 civatayı sökün.

(2) Civatayı, pulu (A), ve disk pulunu çıkartın ve kesme diskini yerinden sökün. (Şekil. 4)

DİKKAT

O-halkayı veya manşonu profil kesme diskinden sökmeyin.

2. Profil Kesme Diskini Yerleştirme

Disk pul ve civatalarından tozu tamamen temizleyin, daha sonra çıkartma işleminin tersini uygulayarak diski yerleştirin. Alt koruyucuyu (A) ve alt koruyucuyu (B) ilk konumlarına getirin.

DİKKAT

Profil kesme diskini takmak ve çıkartmak için kullanılan durdurma mandalının önceki durumuna getirildiğinden emin olun.

NASIL KULLANILIR?

1. Kesilecek malzemeyi yerleştirme işlemi (Şekil. 5 ve 6)

Çalışılacak malzemeyi (A) ve (B) mengeneri arasına yerleştirin ve kavrama kolunu kaldırın ve Şekil. 5'de gösterildiği şekilde, (A) mengenesi malzemeye hafifçe değecek şekilde vidalı kolu itin.

Daha sonra, kaldırma kolunu aşağı çevirerek, ve vidalı kolu döndürerek çalışılacak malzemeyi yerinde sabitleyin. Kesme işlemi tamamlandığında, Şekil. 6'da gösterildiği şekilde vidalı kolu iki veya üç kere çevirerek (A) mengenesi gevşetin ve malzemeyi çıkarın.

DİKKAT

Herhangi bir kazaya sebep olmamak için, kesme diski dönerken kesinlikle malzemeyi çıkartmayın veya yerleştirmeyin.

2. Açılı Kesme (Şekil. 7)

(1) Profil Kesme makinası 0° ve 45°'lik açılarda çalışmaya uygundur.

(2) Mengenenin iki M10 altigen civatasını gevşetin (B), mengene açısının çalışma yüzeyini 0°, 30°, veya 45°'ye getirin. Hazırlık bitince iki 10 mm'lik somunu sağlamca sıklaştırın.

3. Sabit mengene açısını hareket ettirme (Şekil. 8)

Mengene açıklığı, fabrika çıkışında maksimum 165 mm olacak şekilde ayarlanmıştır. 165 mm'den daha fazla bir açıklık gerektiğinde mengeneyle, şekilde gösterildiği gibi iki somunu gevşeterek zincir hizasına getirin. Maksimum açıklık 200 mm ve 235 mm olarak iki kademede ayarlanabilir. Kesilecek malzeme daha geniş ise, mengene açısının sabit tarafının yeri değiştirilerek kullanılabilir.

4. Uzun iş parçası malzemelerini kesme (Şekil. 9)

Çalışmaya başlamadan önce, uzun iş parçasının her iki ucunu da tabanla aynı yükseklikteki blokların üzerine yerleştirerek iş parçasını sabitleyin.

5. Kare bloğun kullanılması (Şekil. 10)

Kesme diskinin dış çapı daralmışsa, diski daha ekonomik kullanmak için mengenenin arasına ((A) ve (B)) kesilecek iş parçasından biraz daha küçük bir kare blok yerleştirin.

6. Kesme Derinliğinin Ayarlanması (Şekil. 11)

Kesme diskinin dış çapı daralmışsa, kesme derinliğini ayarlamak için stoper civatasının yüksekliğini değiştirin. Kilitleme somununu gevşeterek ve stoper civatasını döndürerek ayar yapabilirsiniz. İşiniz bitince, stoper civatasını yerine sabitlemek için kilitleme somununu tekrar sıkın. Malzemeye bağlı olarak, kıymıkları tamamen ortadan kaldırmak mümkündür.

DİKKAT

- Profil kesme diski değiştirilince stoper civatasının yüksekliğini yeniden ayarlamayı unutmayın.
- Stoper civatası çok alçak kalırsa, profil kesme diskinin tabanı kesme riski doğar.

7. Kıvılcım sacının ayarlanması (Şekil. 12)

Açı ayarı yapmak için, kıvılcım sacını tutan vidayı philips tornavida ile gevşetin. Kıvılcımların sıçrayacağı yönü ayarlamak için, açığı çalışma ortamına ve yapılması gereken işe göre ayarlayın.

8. Ünitenin taşınması (Şekil. 13)

Üniteyi bir yere taşıyacağınız zaman, zincir kancasını zincirin üzerine takın ve taşıma kolundan tutarak üniteyi taşıyın.

BAKIM VE MUAYENE**DİKKAT**

Bakım ve muayene yapmadan önce makinanın kapalı ve fişinin çekili olduğundan emin olun.

1. Kesme Diskini Değiştirme

Kesme diski, sürekli kullanımdan körelendiğinde motordan gereksiz güç çeker. Sonuç olarak, taşlama verimliliğini korumak için körleşmiş kesme diskini tamir edin veya değiştirin.

2. Kömürlerin Kontrol Edilmesi (Şekil 14)

Motorda tükenebilir malzemeler olan kömürler kullanılır. Aşırı derecede aşınmış bir karbon fırça, motorda soruna yol açabileceği için her iki karbon fırçayı da "aşınma limitine" kadar aşındığında ya da bu limite yaklaştığında, şekilde gösterilen yenileriyle değiştirin. Ayrıca, kömürleri daima temiz tutun ve kömür tutucuların içinde serbestçe kayabildiklerinden emin olun.

3. Montaj vidalarının incelenmesi

Tüm montaj vidalarını düzenli olarak inceleyin ve sağlam şekilde sıkılı olduğundan emin olun. Gevşeyen vidaları derhal sıkın. Gevşemiş vidalar ciddi tehlikelere yol açabilir.

4. Elektrik kablosunun değiştirilmesi

Elektrik kablosunun değiştirilmesi gerekiyorsa, güvenlik tehlikesini önlemek için bu işlem HiKOKI Yetkili Servis Merkezi tarafından yapılmalıdır.

5. Yağlama

Makinayı uzun süre kullanmak için ayda bir aşağıda belirtilen yağlama noktalarını yağlayın.

- Yağlama Noktaları
- Şaftın döner kısmı
 - Mengenenin döner kısmı
 - Mengenenin kayma yolu (A)

6. Temizleme

Makinaya yapışmış talaş ve artıkları bir bez veya benzeri ile ara sıra temizleyin. Motor kısmını yağ veya suyla ıslatmamaya dikkat edin.

DİKKAT

Güç takımlarının çalıştırılması ve bakımlarının yapılması esnasında her ülke için belirtilen güvenlik düzenlemelerine ve standartlarına uyulması gerekmektedir.

GARANTİ

HiKOKI Elektrikli El Aletlerine ülkelere özgü hukuki düzenlemeler çerçevesinde garanti vermekteyiz. Bu garanti, yanlış veya kötü kullanım, normal aşınma ve yıpranmadan kaynaklanan arıza ve hasarları kapsamamaktadır. Şikayet durumunda, Elektrikli El Aleti, sökülmemiş bir şekilde, bu kullanımla ilgili sorunun sonunda bulunan GARANTİ BELGESİYLE birlikte bir HiKOKI yetkili servis merkezine gönderilmelidir.

NOT

HiKOKI'nin süregelen araştırma ve geliştirme programına bağlı olarak burada belirtilen teknik özelliklerde önceden bildirimde bulunulmadan değişiklik yapılabilir.

Bu ürün, elektrikli ve elektronik eşyalarda bazı tehlikeli maddelerin kullanımının sınırlandırılmasına dair yönetmeliğin şartlarına uygundur.

Havadan yayılan gürültü ve titreşimle ilgili bilgiler

Ölçülen değerlerin EN62841'e uygun olduğu tespit edilmiştir.

Tipik A ağırlıklı ses basınç seviyesi: 95 dB (A)

Tipik A ağırlıklı ses gücü seviyesi: 108 dB (A)

Kulak koruyucusu kullanın.

● 230 V~ nominal voltajlık güç kaynağı sistemi hakkında bilgi

Olumsuz ana şebeke koşullarında, bu alette *geçiş voltaj düşüşleri* veya voltaj dalgalanmaları olabilir.

Bu alet, kullanıcının kaynağının arabirim noktasında (güç servis kutusu) maksimum izin verilen sistem empedansı Z_{MAX} , 0,14 Ohm olan bir güç kaynağı sistemine bağlantı içindir.

Kullanıcının bu aletin sadece yukarıdaki gerekleri karşılayan bir güç kaynağı sistemine bağlandığından emin olması gerekir.

Gerekirse, kullanıcı arabirim noktasındaki sistem empedansını elektrik şirketinden öğrenebilir.

● 230 V~ nominal voltajlık devre kesici devre ile ilgili bilgi

Bu alet, sadece gl ayırıcı özellikli 16 A'lık sigortaya bağlandığında kullanılmalıdır.

ЗАГАЛЬНІ ІНСТРУКЦІЇ БЕЗПЕКИ ЕЛЕКТРИЧНОГО ІНСТРУМЕНТУ

⚠ ПОПЕРЕДЖЕННЯ

Прочитайте всі застереження, інструкції, технічні характеристики й розгляньте всі ілюстрації в керівництві до цього інструмента.

Невиконання правил та інструкцій, наданих нижче, може призвести до удару струмом, пожежі та/або серйозної травми.

Збережіть всі інструкції та правила для подальшого користування.

Термін «електричний інструмент» у правилах позначає ваш електричний автоматичний інструмент, що працює від мережі (з дротом), або електричний інструмент, що працює на батарейках (бездротовий).

1) Безпека робочого місця

a) Стежте за чистотою і правильним освітленням робочого місця.

Захаращені або темні ділянки так і «чекають» на нещасний випадок.

b) Не працюйте автоматичними інструментами там, де повітря насичене вибухонебезпечними речовинами, такими як горючі рідини, газу або пил.

Автоматичні інструменти висікають іскри, від яких можуть зайнятися пил або випари.

c) Під час роботи автоматичним інструментом не підпускайте до себе дітей і просто бажаних подивитися на вашу роботу.

Якщо вас відволікатимуть, ви можете втратити контроль над інструментом.

2) Безпека електропристрою

a) Штепсельна вилка автоматичного інструмента мусить підходити до розетки електромережі. Ніколи ніяким чином не змінюйте вилку. Не користуйтеся жодними асортками-адаптерами для заземлених автоматичних інструментів.

Незмінні штепсельні вилки та відповідні їм розетки зменшують ризик удару електрострумом.

b) Не торкайтеся тілом заземлених предметів або поверхонь, таких як труби, батареї опалення, плити і холодильники.

Якщо ви торкнетеся тілом заземленого предмету, це збільшує ризик удару струмом.

c) Не допускайте, щоб на автоматичні інструменти потрапляли дощ або волога.

Вода, яка потрапила до автоматичного інструмента, підвищує ризик удару струмом.

d) Обережно поводьтеся зі шнуром. Ніколи не несіть інструмент на шнурі, не волочіть його за шнур і не витягайте штепсельну виделку з розетки, тягнучи за шнур.

Бережіть шнур від тепла, олій, гострих поверхонь та рухомих деталей.

Пошкоджені або заплутані шнури збільшують ризик ураження електрострумом.

e) Працюючи автоматичним інструментом просто неба, користуйтеся подовжувачами, пристосованими для застосування просто неба.

Користування шнуром, пристосованим до користування просто неба, знижує ризик ураження струмом.

f) Якщо не уникнути роботи у вологому середовищі, користуйтеся джерелом живлення із пристроєм захисту від замикання на землю.

Пристрій захисту від замикання на землю знижує ризик удару струмом.

3) Особиста безпека

a) Не втрачайте пильності, стежте за тим, що робите, і користуйтеся здоровим глуздом під час роботи автоматичним інструментом.

Не працюйте автоматичним інструментом, коли ви втомлені або знаходитеся під дією наркотиків, алкоголю або ліків.

Мить неуваги під час роботи автоматичним інструментом може спричинити важку травму.

b) Користуйтеся засобами індивідуального захисту. Завжди користуйтеся засобами для захисту очей.

Засоби індивідуального захисту, такі як респиратор, черевики із протекторами, каска або беруші, використані у відповідних умовах, зменшать ризик травмування.

c) Запобігайте випадковому увімкненню. Переконайтеся, що переминач знаходиться в положенні «вимкнено», перш ніж підключитися до джерела живлення і/або акумулятора, взятися за інструмент або переносити його.

Якщо переносити автоматичні інструменти увімкненими або тримаючи палець на переминачі, це може стати причиною нещасного випадку.

d) Змініть будь-які регулюючі ключі або блокатори, перш ніж вмикати інструмент.

Якщо регулюючий ключ або блокатор лишити прикріпленим до частини інструмента, яка обертається, це може спричинити травму.

e) Не тягніться і не перехиляйтеся, працюючи з інструментом. Завжди надійно стійте на ногах і зберігайте рівновагу.

Це надає кращий контроль над автоматичним інструментом у несподіваних ситуаціях.

f) Носіть правильний робочий одяг. Не носіть широкий одяг або ювелірні прикраси. Тримайте своє волосся та одяг подалі від рухомих частин.

Широкий одяг, ювелірні прикраси або довге волосся може потрапити до рухомих частин.

g) Якщо у наявності є пристрій для збирання пилу, скористуйтеся ним за умови, що він правильно підключений і працює.

Користування пристроєм для збирання пилу може знизити небезпеки, пов'язані із накопиченням пилу.

h) Не дозволяйте через навички, здобуті від частого використання інструментів, розслабитись і ігнорувати принципи безпеки інструменту.

Необережна дія може призвести до серйозних травм у долі секунди.

4) Експлуатація і догляд за автоматичним інструментом

a) Не застосовуйте надмірну силу до автоматичного інструмента. Для виконання різних видів робіт підбирайте відповідні інструменти.

Правильно підібраний автоматичний інструмент краще виконає роботу і гарантуватиме більше безпеки.

- b) Не користуйтеся автоматичним інструментом, якщо перемикач не працює. Будь-який автоматичний інструмент, який неможливо контролювати перемикачем, є небезпечним. Його слід полагодити.
- c) Відключіть вилку від джерела живлення та/або вийміть акумулятор (якщо він вставний) з електроінструмента, перш ніж будь-що регулювати, змінювати приладдя або зберігати електроінструмент. Ці заходи безпеки знижують ризик випадково увімкнути автоматичний інструмент.
- d) Зберігайте інструменти у місцях, недоступних для дітей, і не дозволяйте людям, не ознайомленим із автоматичними інструментами і цими інструкціями, користуватися автоматичним інструментом. Автоматичні інструменти є небезпечними в руках не підготованих користувачів.
- e) Доглядайте за електричними інструментами та приладдям. Перевіряйте, чи не зсунулися або не заїдають рухомі частини, чи не зламалися окремі деталі, а також чи не трапилось якихось небажаних змін, які можуть погано вплинути на роботу інструмента. Якщо автоматичний інструмент пошкоджений, його слід полагодити перед подальшим користуванням. Багато нещасних випадків трапляється через поганий догляд за автоматичними інструментами.
- f) Вчасно чистьте і загострюйте інструменти для різання. Інструменти для різання, за якими правильно доглядають і які вчасно підточують, рідше згинаються, і їх легше контролювати.
- g) Користуйтеся автоматичним інструментом, аксесуарами і насадками згідно цих інструкцій, враховуючи робочі умови та завдання. Застосовуйте різні автоматичні інструменти для різних видів робіт. Невідповідність інструмента і застосування може створити небезпечну ситуацію.
- h) Утримуйте ручки й захватні поверхні сухими, чистими, без мастила та змащувального матеріалу. Слизькі ручки та поверхні для тримання перешкоджають безпечному використанню інструмента та контролю над ним у неочікуваних ситуаціях.
- 5) Обслуговування
- a) Обслуговувати ваш автоматичний інструмент може лише кваліфікований технік, замінюючи деталі лише на ідентичні. Це гарантуватиме безпеку автоматичного інструмента.

ЗАСТЕРЕЖЕННЯ

Не підпускайте до інструмента дітей і неповносправних осіб. Коли інструментом не користуються, його слід зберігати в місцях, недоступних для дітей та неповносправних осіб.

ПРАВИЛА БЕЗПЕКИ ЩОДО ВИКОРИСТАННЯ ВІДРІЗНОЇ МАШИНИ

- 1) Правила безпеки щодо використання відрізної машини
- a) Оператор і сторонні особи мають триматися подалі від площини диска, який обертається. Захисний засіб захищає оператора від уламінь пошкодженого диска та випадкового контакту з диском.
- b) Використовуйте тільки армовані посилені відрізнi диски для свого електроінструмента. Те, що аксесуар можна прикріпити до вашого автоматичного інструмента, ще не означає, що ним можна безпечно користуватися.
- c) Номінальна швидкість аксесуара мусить щонайменш дорівнювати максимальній швидкості, указаній на автоматичному інструменті. Аксесуари, які працюватимуть із швидкістю, вищою за їхню номінальну, можуть зламатися й розлетітися на шматки.
- d) Диски мусять використовуватися виключно за призначенням. Наприклад, не шліфуйте поверхню боком відрізного диска. Абразивні відрізнi диски призначені для периферійного шліфування. Якщо до дисків застосувати силу з боку, вони можуть розколотися.
- e) Завжди користуйтеся неушкодженими фланцями дисків відповідного діаметра, який підходить до вибраного диска. Правильно підібрані фланці підтримують диск і, таким чином, зменшують ризик диска поламатися.
- f) Зовнішній діаметр і товщина аксесуара мусять не перевищувати зазначені на вашому автоматичному інструменті. Аксесуари неправильного розміру неможливо як слід контролювати.
- g) Розмір оправи дисків і фланців мусить правильно підходити до шпинделя автоматичного інструмента. Диски та фланці з отворами оправи, які не збігаються з кріпленням на автоматичному інструменті, розбалансуються, надмірно вібруватимуть і можуть вийти з-під контролю.
- h) Не користуйтеся пошкодженими дисками. Перед кожним використанням оглядайте диски на наявність сколів і тріщин. Якщо автоматичний інструмент або диск падав, перевірте його на предмет пошкоджень або встановіть неушкоджений диск. Після перевірки та встановлення диска переконайтеся, що ви особисто і всі присутні знаходяться на безпечній відстані від площини, в якій обертається диск, і запустіть автоматичний інструмент на максимальній швидкості холостого ходу на одну хвилину. Пошкоджені диски звичайно розламуються на частини під час цієї перевірки.
- i) Носіть захисний спецодяг. Залежно від роботи, яку виконуєте, користуйтеся шоломом або захисними окулярами різних моделей. Якщо потрібно, надавайте респіратор, користуйтеся берушами, рукавицями, фартухом, які захистять від дрібних абразивних часточок або скалок матеріалу, з яким працюєте. Захисні окуляри мусять надати достатній захист від дрібних часточок, які утворюються під час різних

видів робіт. Респіратор або маска відфільтрує часточки, які утворилися під час вашої роботи. Тривалий вплив гучного шуму може викликати втрату слуху.

- j) Не дозволяйте стороннім особам наближатися до робочої ділянки. Будь-яка особа на робочій ділянці мусить носити захисний спецодяг. Часточки матеріалу або зламаний диск можуть відлетіти від інструмента й викликати травми не лише безпосередньо на робочому місці, але й досить далеко від нього.
- k) Тримайте шнур подалі від аксесуара, який обертається. Якщо втратите контроль, ви ризикуєте розрізати або зачепити шнур, а долоню або всю руку може затягти на диск, який обертається.
- l) Регулярно чистьте вентиляційні отвори електрострументу. Вентилятор двигуна затягає в корпус пил. Надмірне накопичення металевої крихти може викликати небезпечні ситуації.
- m) Не працюйте автоматичним інструментом поруч із легкозаймистими матеріалами. Не використовуйте електрострумент, коли він розташований на вогненебезпечній поверхні, такий як деревина. Ці матеріали можуть зайнятися від іскор.
- n) Не користуйтеся аксесуарами, які потребують охолодження рідинами. Використання води або інших рідких охолоджувачів може спричинити коротке замикання або удар струмом.

2) Віддача та пов'язані з нею застереження

Віддача – це раптова реакція на защемлення або затискання диска, який обертається. Защемлення або затискання приводить до різкої зупинки диска, який обертається, а це викликає неконтрольований рух різального пристрою вгору в бік оператора.

Наприклад, якщо абразивний диск защемило або затиснуло матеріалом, по якому працює інструмент, край диска, який защемило, може заглибитися в поверхню матеріалу так, що диск вистрибне зі свого місця. Також абразивні диски за таких умов можуть зламатися.

Віддача є результатом неправильного користування автоматичними інструментами. Її можна уникнути, вживши наведених нижче заходів.

- a) Правильно тримайте автоматичний інструмент і тримайте корпус і руку так, щоб протидіяти силі віддачі. Якщо вжити необхідних заходів, можна контролювати направлену вгору силу віддачі інструмента.
- b) Не розташовуйте своє тіло на одній лінії з диском, який обертається. У разі віддачі різальний пристрій буде рухатися вгору в бік оператора.
- c) Не приєднуйте ланцюг пили, різальне полотно для різблення по дереву, сегментований діамантовий диск з периферійним зазором, більшим за 10 мм, або полотно пили із зуб'ями. Подібні пилки викликають несподівану віддачу і втрату контролю.
- d) Не затискайте диск і не застосуйте до нього надмірну силу. Не намагайтеся різати дуже глибоко. Від надмірного тиску диск може

зігнутися або його може затиснути в розрізі, від чого диск може зламатися або може трапитися віддача інструмента.

- e) Якщо диск затиснуто або коли ви з будь-яких причин перестаете різати, вимкніть живлення інструмента і тримайте різальний пристрій нерухомо, поки диск остаточно не зупиниться. За жодних обставин не намагайтеся вийняти диск з місця різання, коли диск обертається, інакше це може спричинити віддачу. Обстежте місце й виправте ситуацію, щоб усунути причину затискання диска.
- f) Не відновлюйте різання, тримаючи інструмент заглибленим у матеріал. Дайте диску досягти повної швидкості і обережно поверніть його в місце розрізу. Диск може бути затиснутим, вистрибнути або відскочити, якщо автоматичний інструмент увімкнули заглибленим у матеріал.
- g) Підпирайте будь-які оброблювані деталі надмірних розмірів, щоб уникнути ризику защемлення або віддачі диска. Великі предмети мають тенденцію прогинатися під власною вагою. Підставки слід розмістити під предметом поруч з лінією розрізу й поруч з краєм предмета з обох боків від диска.

ДОДАТКОВІ ПРАВИЛА БЕЗПЕКИ

1. Використовуйте стандартний відрізний диск на перпендикулярній йому робочій поверхні.
 2. Забезпечте захист від іскор при відрізанні.
 3. Замініть відрізний диск належним чином.
 4. Завжди уважно стежте за тим, щоб не були ослаблені деталі, що фіксують відрізний диск. Несправні деталі призведуть до пошкодження відрізного диска.
 5. Переконайтеся в тому, що на оброблюваному виробі відсутні сторонні предмети, наприклад, цвяхи.
 6. Абразивні диски повинні зберігатися відповідно до вимог виробника і з ними слід поводитися обережно.
 7. Переконайтеся в тому, що встановлений диск обраний відповідно до вимог виробника.
 8. Ніколи не використовуйте машину без встановленого захисного пристосування. Обов'язково використовуйте захисне пристосування для ножівкового полотна. Захисне пристосування допомагає захистити оператора від фрагментів пошкодженого різального диска та уникнути ненавмисного торкання диска.
 9. Переконайтеся, що захисне пристосування функціонує належним чином і може вільно переміщуватися. Ні в якому разі не фіксуйте захисне пристосування у відкритому положенні.
 10. Надійно фіксуйте оброблювальну деталь. Зафіксована в затискачі або лещатах заготівка буде триматися надійніше, аніж коли тримати її рукою.
 11. Не використовуйте ножівкове полотно.
 12. Коли апарат не використовується, зберігайте його в безпечний спосіб. Зберігайте його в сухому місці, яке можна замкнути.
- Це запобігає пошкодженню апарату під час зберігання та використанню його особами, які не мають відповідної підготовки.

ТЕХНІЧНІ ХАРАКТЕРИСТИКИ

| | | | | | |
|---|-------------------------------|---|---|---|--|
| Напруга (за регіонами)*1 | | (220 Вт, 230 Вт, 240 Вт) ~ | | | |
| Вхід живлення*1 | | 2200 W | | | |
| Максимальні розміри відрізання*2 Висота x ширина | Форма оброблюваного матеріалу |  |  |  |  |
| | Кут відрізання 0° | 120 мм | 115 мм | 90 мм × 200 мм | 130 мм |
| | Кут відрізання 45° | 115 мм | 104 мм | 110 мм × 104 мм | 100 мм |
| Відрізний диск | | Ø355 × Ø25,4 × 4 мм (Армований волокнистим наповнювачем відрізний диск) | | | |
| Число оборотів холостого ходу | | 4100 мин ⁻¹ | | | |
| Макс. робоча окружна швидкість | | 4800 м/мин | | | |
| Вага*3 | | 17,0 кг | | | |

*1 Перевірте написи на виробі, оскільки технічні характеристики змінюються залежно від регіону.

*2 Максимальна товщина матеріалу для відрізання – це товщина, за якої відрізний диск не зношується надмірно в процесі різання.

*3 Відповідно до ЕРТА-процедури 01/2014

СТАНДАРТНІ АКСЕСУАРИ

- (1) Відрізний диск1
(2) Гайковий ключ у вигляді шестигранного стрижня1

ЗАСТОСУВАННЯ

Обрізка різних металевих виробів, наприклад, труб, круглих стрижнів і сталевих фасонних виробів.

ПЕРЕД РОБОТОЮ

1. Джерело живлення

Переконайтеся, що джерело живлення, яким Ви будете користуватися, відповідає вимогам до живлення, зазначеним на наклейці на корпусі виробу.

2. Перемикач живлення

Переконайтеся, що перемикач живлення знаходиться в положенні ВИМКНЕНО. Якщо штепсельна вилка підключена до розетки, коли перемикач знаходиться в положенні УВИМКНЕНО, інструмент негайно почне працювати, а це може призвести до нещасного випадку.

3. Подовжувач

Коли робоча поверхня знаходиться далеко від джерела живлення, користуйтеся подовжувачем достатньої товщини і номінальної потужності. Подовжувач мусить бути настільки коротким, настільки й практичним.

4. Встановіть машину на рівній гладкій поверхні і зафіксуйте в стійкому стані. Перед відправкою устаткування піддається строгому заводському контролю на предмет захисту від ураження електричним струмом під час експлуатації.

5. Так як рухоми частини закріплюють натягом ланцюга на час транспортування, зніміть ланцюг з ланцюгового гака шляхом натиснення на рукоятку перемикача.

6. Переконайтеся в тому, що всі відрізні диски знаходяться в ідеальному стані і на них не видно подряпин і тріщин.

7. Незважаючи на те, що вони були надійно зафіксовані на заводі перед відправленням, з метою безпеки повторно зафіксуйте затиснкі гайки.

8. Захисна кришка (кришка диска) передбачена для запобігання можливих неприємностей, наприклад, появи тріщини на відрізнаючому диску. Незважаючи на те, що вона була надійно зафіксована на заводі перед відправленням, з метою безпеки повторно зафіксуйте кріпильні гвинти.

9. При заміні відрізнаючого диска обов'язково переконайтеся в тому, що зазначена розрахункова окружна швидкість відрізнаючого диска, призначеного для заміни, дорівнює або перевищує 4800 м / хв.

10. Обов'язково переконайтеся в тому, що до машини не прикріплений гайковий ключ у вигляді стрижня, який застосовується для затягування або зняття відрізнаючого диска.

11. Перевірте і переконайтеся, що оброблюваний виріб підтримується належним чином. Обов'язково переконайтеся в тому, що заготовка надійно затиснута лещатами. В іншому випадку, ослаблення фіксації заготовки може призвести до нещасного випадку або до поломки відрізнаючого диска під час роботи.

12. Перед використанням обов'язково переконайтеся в тому, що абразивний диск правильно встановлений і зафіксований, а також дайте машині попрацювати без навантаження протягом 30 с в безпечному положенні, негайно зупиніть машину, якщо з'явиться значна вібрація або якщо будуть виявлені інші дефекти. У цьому випадку перевірте машину для з'ясування причини несправності.

13. Пообертайте відрізний диск для перевірки торцевого відхилення. Сильне відхилення призведе до зсуву відрізнаючого диска.

14. Обов'язково переконайтеся в тому, що при роботі в умовах запиленості підтримується чистота вентиляційних отворів. У разі виникнення необхідності очищення від пилу, перш за все, від'єднайте машину від електричної розетки.

ПРОЦЕДУРА РІЗАННЯ

ОБЕРЕЖНО

Знімати або встановлювати оброблюваний виріб під час обертання відрізного диска небезпечно.

1. Функціонування вимикача

Живлення увімкнеться, якщо потягнути перемикач, і вимкнеться, якщо перемикач відпустити. (Мал. 2)

2. Відрізання

- (1) Під час обертання відрізного диска м'яко натисніть рукоятку вниз і наблизьте відрізний диск до заготовки для відрізання.
- (2) При зіткненні відрізного диска із заготовкою для відрізання м'яко натисніть рукоятку далі вниз і почніть виконувати відрізання.
- (3) Коли процес відрізання (або виконання наміченого щілинного отвору) буде завершений, підніміть рукоятку і встановіть її у вихідне положення.
- (4) При завершенні кожного етапу в процесі відрізання, встановлюйте вимикач в положення вимкнення OFF (Вимкнено) для зупинки обертання, а потім продовжуйте виконання наступного етапу відрізання.

ОБЕРЕЖНО

Швидкість відрізання не збільшиться, якщо до рукоятки буде докладено більше зусилля. Застосування дуже великого зусилля до рукоятки призведе до перевантаження двигуна і до зменшення його потужності. Обов'язково встановіть вимикач у положення вимкнення OFF (Вимкнено) після завершення роботи та від'єднайте вилку від розетки.

УСТАНОВКА І ЗНЯТТЯ ВІДРІЗНОГО ДИСКА

ОБЕРЕЖНО

Використовуйте рукавички під час роботи з відрізними кругами.

1. Зняття відрізного диска (Мал. 3 і 4)

- (1) Підніміть нижню напрямну (А) і нижню напрямну (В). Потисніть стопорний штифт, щоб він торкнувся шайби диска. Поверніть відрізний диск, просуньте стопорний штифт крізь отвір у шайбі диска і викрутіть болт М10 за допомогою шестигранного ключа, що додається.
- (2) Зніміть болт, шайбу (А), і шайбу диска, а потім від'єднайте відрізний диск. (Мал. 4)

ОБЕРЕЖНО

Не знімайте кільце ущільнення або втулку зі шпинделя відрізного диска.

2. Установка відрізного диска

Ретельно видалите пил з шайб диска і болта, потім встановіть диск, шляхом виконання в зворотній послідовності дій, описаних для процедури зняття диска. Поверніть нижню напрямну (А) і нижню напрямну (В) у вихідне положення.

ОБЕРЕЖНО

Переконатися в тому, що стопор, який був використаний для встановлення та зняття відрізного диска, встановлений у відведеному назад положенні.

ЕКСПЛУАТАЦІЯ

1. Процедура закріплення заготовки для відрізання (Мал. 5 і 6)

Помістіть оброблюваний виріб між затискним пристосуванням (А) і затискним пристосуванням (В), підніміть муфту і перемістіть затискне пристосування (А) за допомогою рукоятки гвинта так, щоб воно злегка стикалося з оброблюваним виробом, як показано на Мал. 5. Потім опустіть муфту вниз і надійно закріпіть оброблюваний виріб в потрібному положенні шляхом повороту рукоятки гвинта. Коли процес відрізання буде завершений, поверніть рукоятку гвинта 2 або 3 рази для ослаблення затискного пристосування (А), і зніміть оброблюваний виріб, як показано на Мал. 6.

ОБЕРЕЖНО

Ніколи не знімайте і не встановлюйте оброблюваний виріб під час обертання відрізного диска для того, щоб уникнути отримання травми.

2. Відрізання під кутом (Мал. 7)

- (1) Машина дозволяє виконати відрізання під кутом 0° або 45°.
- (2) Послабте два болти М10 з головками під шестиграний торцевий ключ на затискному пристосуванні (В), потім встановіть робочу поверхню на захоплення затискного пристосування під будь-яким кутом, рівним 0°, 30° або 45°. Після завершення установки в потрібне положення, надійно затягніть два 10 мм болта.

3. Переміщення стаціонарного захоплення затискного пристосування (Мал. 8)

Максимальна відстань між затискними пристосуваннями, яке встановлюється при відправці з заводу, так само 165 мм. У випадку, коли необхідно, щоб ця відстань перевищила 165 мм, перемістіть затискні пристрої в положення, показане штрихпунктирною лінією, після того, як викрутите два болти. Максимальна відстань між затискними пристосуваннями може бути встановлена в два етапи 200 мм і 235 мм. Якщо заготовка для відрізання буде занадто широкою, затискні пристрої можуть бути ефективно використані шляхом зміни положення стаціонарно встановленого боку захоплення затискних пристосувань.

4. Відрізання довгої робочої заготовки (Мал. 9)

Перш ніж розпочати роботу, перевірте, чи обидва кінці довгої робочої заготовки встановлено на блоки, які повинні бути такої самої висоти, що й основа, щоб стабілізувати заготовку.

5. Як використовувати квадратний блок (Мал. 10)

Для економного використання відрізного диска, якщо відрізний диск має малий зовнішній діаметр, встановіть між затискачами (А) і (В) квадратний блок дещо меншого розміру ніж оброблювана робоча заготовка.

6. Налаштування глибини врізання (Мал. 11)

Якщо відрізний диск має малий зовнішній діаметр, змініть висоту стопорного болта, щоб налаштувати глибину врізання. Щоб виконати налаштування, послабте контргайку і повертайте стопорний болт. Завершивши налаштування, затягніть контргайку, щоб зафіксувати стопорний болт на місці. Залежно від матеріалу можна зняти обмежувач.

ОБЕРЕЖНО

- Якщо відрізний диск було замінено, перевірте налаштування висоти стопорного болта.
- Якщо стопорний болт встановлено занадто низько, відрізний диск може різати основу.

7. Налаштування захисту від іскор (Мал. 12)

Щоб відрегулювати кут встановлення захисту, утримуючи захист від іскор за допомогою хрестової викрутки викрутіть гвинт.

Щоб відрегулювати напрямок вильоту іскор відповідно до оточення та вимог до роботи, змініть кут розташування захисту.

8. Транспортування пристрою (Мал. 13)

Перш ніж переносити пристрій, прикріпіть гачок для ланцюга до ланцюга; беріть пристрій за ручку для перенесення.

ОГЛЯД І ДОГЛЯД**ОБЕРЕЖНО**

Вимкніть машину і від'єднайте вилку від розетки перед початком проведення перевірки та технічного обслуговування.

1. Заміна відрізного диска

Коли відрізний диск ступить при безперервній експлуатації, двигун почне працювати з перевантаженням. Отже, для забезпечення ефективної експлуатації відновіть або замініть ступіньний відрізний диск.

2. Обстеження вугільних щіток (Мал. 14)

У двигуні використовуються вугільні щітки, які поступово зношуються. Оскільки надмірно зношені вугільні щітки можуть привести до несправності електродвигуна, слід замінити вугільні щітки новими, як показано на малюнку, коли вони будуть зношені до або біля «межі зношування». Крім того, завжди тримайте вугільні щітки в чистоті і обов'язково стежте за тим, щоб вони могли вільно ковзати в щіткотримачах.

3. Перевірка встановлених гвинтів

Регулярно перевіряйте всі встановлені на інструменті гвинти, стежте за тим, щоб вони були як слід затягнуті. негайно затягніть гвинт, який виявився ослабленим. Невиконання цього правила загрожує серйозною небезпекою.

4. Технічне обслуговування двигуна.

Обмотка двигуна - "серце" електроінструменту. Проявляйте належну увагу, стежачи за тим, щоб обмотка не була пошкоджена і/або залита маслом або водою.

5. Масило

Для підтримки машини в робочому стані протягом тривалого часу доливайте масло в один раз на місяць у наступні місця підведення масла.

- Місця підведення масла
- Частина вала, що обертається
- Затискне пристосування, що обертається
- Ділянка ковзання затискного пристосування (А)

6. Очищення

Час від часу протирайте машину м'якою тканиною або подібним матеріалом і видаляйте налипли стружку й обрізки. Будьте обережні, не допускайте потрапляння масла або води у відсік двигуна.

ОБЕРЕЖНО

Під час роботи і догляду слід брати до уваги місцеві норми і стандарти.

ГАРАНТІЯ

Ми гарантуємо, що автоматичні інструменти НіКОКІ виготовлені згідно місцевих вказівок. Ця гарантія не розповсюджується на дефекти або пошкодження через зловживання, неправильне користування або звичайне спрацювання. Якщо Ви маєте скарги, будь ласка, надішліть автоматичний інструмент, не розбираючи його, із ГАРАНТІЙНИМ СЕРТИФІКАТОМ, який знаходиться в кінці інструкції, до авторизованого сервісного центру НіКОКІ.

ПРИМІТКА

Через постійні дослідження і розвиток, які здійснює НіКОКІ, технічні характеристики можуть змінюватися без попередження.

Інформація про шум та вібрацію

Вимірювані величини були визначені відповідно до EN62841.

Вимірний середньозважений рівень звукового тиску: 95 дБ (А)
Вимірний середньозважений рівень звукової потужності: 108 дБ (А)

Одягайте навушники.

● Інформація про систему електропостачання з номінальною напругою 230 В ~

При несприятливому стані мережі електропостачання даний електроінструмент може стати причиною короткочасних падінь напруги або коливань напруги, що заважають.

Даний електроінструмент призначений для під'єднання до системи електропостачання з максимальним допустимим повним опором системи Z_{max} , рівним 0,14 Ом в точці підключення (розподільна коробка мережі електропостачання) до мережі електропостачання користувача.

Користувач повинен обов'язково переконатися в тому, що даний електроінструмент буде приєднаний тільки до системи електропостачання, що задовольняє викладені вище вимоги.

У разі необхідності, користувач може звернутися в компанію комунального електропостачання відносно повного опору системи в точці підключення.

● Інформація щодо вимикача переривника з номінальною напругою 230 В ~

Даний електроінструмент повинен експлуатуватися тільки в тому випадку, якщо він буде приєднаний до запобіжника 16 А, з характеристикою від'єднання класу gl.

ОБЩИЕ ПРАВИЛА БЕЗОПАСНОСТИ ПРИ РАБОТЕ С ЭЛЕКТРОИНСТРУМЕНТОМ

⚠ ПРЕДУПРЕЖДЕНИЕ

Прочтите все предупреждения относительно безопасности, инструкции, иллюстрации и спецификации, которые предоставлены в комплекте с этим электроприбором.

Невыполнение всех инструкций, перечисленных ниже, может привести к поражению электрическим током, пожару и/или серьезной травме.

Сохраняйте все правила и инструкции на будущее.

Термин «электроинструмент» в контексте всех мер предосторожности относится к эксплуатируемому вами электроинструменту с питанием от сетевой розетки (с сетевым шнуром) или электроинструменту с питанием от аккумуляторной батареи (беспроводному).

1) Безопасность на рабочем месте

a) Поддерживайте чистоту и хорошее освещение на рабочем месте.

Беспорядок и плохое освещение приводят к несчастным случаям.

b) Не используйте электроинструменты во взрывоопасных окружающих условиях, например, в непосредственной близости огнеопасных жидкостей, горючих газов или легковоспламеняющейся пыли.

Электроинструменты порождают искры, которые могут воспламенить пыль или испарения.

c) Держите детей и наблюдающих на безопасном расстоянии во время эксплуатации электроинструмента.

Отвлечение внимания может стать для вас причиной потери управления.

2) Электробезопасность

a) Сетевые вилки электроинструментов должны соответствовать сетевой розетке.

Никогда не модифицируйте штепсельную вилку никоим образом. Не используйте никакие адаптерные переходники с заземленными (замкнутыми на землю) электроинструментами.

Немодифицированные штепсельные вилки и соответствующие им сетевые розетки уменьшат опасность поражения электрическим током.

b) Не прикасайтесь телом к заземленным поверхностям, например, к трубопроводам, радиаторам, кухонным плитам и холодильникам.

Если ваше тело соприкоснется с заземленными поверхностями, возрастет опасность поражения электрическим током.

c) Не подвергайте электроинструменты действию воды или влаги.

При попадании воды в электроинструмент возрастет опасность поражения электрическим током.

d) Правильно обращайтесь со шнуром. Никогда не переносите электроинструмент, взявшись за шнур, не тяните за шнур и не дергайте за шнур с целью отсоединения электроинструмента от сетевой розетки.

Располагайте шнур подальше от источников тепла, нефтепродуктов, предметов с острыми кромками и движущихся деталей.

Поврежденные или запутанные шнуры увеличивают опасность поражения электрическим током.

e) При эксплуатации электроинструмента вне помещений, используйте удлинительный шнур, предназначенный для использования вне помещений.

Использование шнура, предназначенного для работы вне помещений, уменьшит опасность поражения электрическим током.

f) При эксплуатации электроинструмента во влажной среде используйте устройство защитного отключения источника питания.

Использование устройства защитного отключения уменьшит опасность поражения электрическим током.

3) Личная безопасность

a) Будьте готовы к неожиданным ситуациям, внимательно следите за своими действиями и руководствуйтесь здравым смыслом при эксплуатации электроинструмента.

Не используйте электроинструмент, когда вы устали или находитесь под влиянием наркотиков, алкоголя или лекарственных препаратов.

Мгновенная потеря внимания во время эксплуатации электроинструментов может привести к серьезной травме.

b) Используйте индивидуальные средства защиты. Всегда надевайте средства защиты глаз.

Средства защиты, такие как противопылевой респиратор, защитная обувь с нескользящей подошвой, защитный шлем-каска или средства защиты органов слуха, используемые в соответствующих условиях, снизят число травм.

c) Избегайте непреднамеренного включения двигателя. Убедитесь в том, что выключатель находится в положении выключения перед подниманием, переноской или подсоединением к сетевой розетке и/или портативному батарейному источнику питания.

Переноска электроинструментов, когда вы держите палец на выключателе, или подсоединение электроинструментов к сетевой розетке, когда выключатель находится в положении включения, приводит к несчастным случаям.

d) Снимите все регулировочные или гаечные ключи перед включением электроинструмента.

Гаечный или регулировочный ключ, оставленный прикрепленным к вращающейся детали электроинструмента, может привести к получению травмы.

e) Не теряйте устойчивость. Все время имейте точку опоры и сохраняйте равновесие.

Это поможет лучше управлять электроинструментом в непредвиденных ситуациях.

f) Одевайтесь надлежащим образом. Не надевайте просторную одежду или ювелирные изделия. Держите Ваши волосы и одежду как можно дальше от движущихся частей.

Просторная одежда, ювелирные изделия или длинные волосы могут попасть в движущиеся части.

g) Если предусмотрены устройства для присоединения приспособлений для отвода и сбора пыли, убедитесь в том, что они присоединены и используются надлежащим образом.

Использование данных устройств может уменьшить опасности, связанные с пылью.

- h) Не позволяйте ознакомлению, полученному в результате частого использования инструментов, усыпить Вашу бдительность и осторожность и игнорировать принципы безопасной эксплуатации инструмента. Неосторожное действие может стать причиной серьезной травмы в доли секунды.
- 4) Эксплуатация и обслуживание электроинструментов
- a) Не перегружайте электроинструмент. Используйте надлежащий для вашего применения электроинструмент. Надлежащий электроинструмент будет выполнять работу лучше и надежнее в том режиме работы, на который он рассчитан.
- b) Не используйте электроинструмент с неисправным выключателем, если с его помощью нельзя будет включить и выключить инструмент. Каждый электроинструмент, которым нельзя управлять с помощью выключателя, будет представлять опасность, и его будет необходимо отремонтировать.
- c) Отсоедините штепсельную вилку от источника питания и/или удалите батарейный блок, если он съемный, от электроинструмента перед началом выполнения каких-либо регулировок, перед сменой принадлежности или перед хранением электроинструментов. Такие профилактические меры безопасности уменьшат опасность непреднамеренного включения двигателя электроинструмента.
- d) Храните неиспользуемые электроинструменты в недоступном для детей месте, и не разрешайте людям, не умеющим обращаться с электроинструментом или не изучившим данное руководство, работать с электроинструментом. Электроинструменты представляют опасность в руках неподготовленных пользователей.
- e) Содержите электроинструменты и принадлежности в исправном состоянии. Проверьте, нет ли несоосности или заедания движущихся частей, повреждения деталей или какою-либо другого обстоятельства, которое может повлиять на функционирование электроинструментов. При наличии повреждения отремонтируйте электроинструмент перед его эксплуатацией. Большое количество несчастных случаев связано с плохим обслуживанием электроинструментов.
- f) Содержите режущие инструменты остро заточенными и чистыми. Надлежащим образом содержащиеся в исправности режущие инструменты с острыми режущими кромками будут меньше заедать и будут легче в управлении.
- g) Используйте электроинструмент, принадлежности, насадки и т.п. в соответствии с данным руководством, принимая во внимание условия и объем выполняемой работы. Использование электроинструмента для выполнения работ не по прямому назначению может привести к опасной ситуации.
- h) Поддерживайте ручки и поверхности захвата сухими, чистыми и незагрязненными маслом и смазкой.

Скользкие ручки и поверхности захвата не позволяют безопасно управлять инструментом и контролировать его в неожиданных ситуациях.

- 5) Обслуживание
- a) Обслуживание вашего электроинструмента должно выполняться квалифицированным представителем ремонтной службы с использованием только идентичных запасных частей. Это обеспечит сохранность и безопасность электроинструмента.

МЕРЫ ПРЕДОСТОРОЖНОСТИ

Держите подальше от детей и немощных людей. Если инструменты не используются, их следует хранить в недоступном для детей и немощных людей месте.

ПРАВИЛА БЕЗОПАСНОСТИ ПРИ ОБРАЩЕНИИ С ОТРЕЗНОЙ МАШИНОЙ

- 1) Правила безопасности при обращении с отрезной машиной
- a) Никто, включая оператора, не должен стоять в плоскости вращающегося круга. Защитное приспособление помогает защитить оператора от фрагментов сломанного круга и случайного соприкосновения с ним.
- b) Используйте только связанные армированные отрезные круги для этого электроинструмента. Если принадлежность можно установить на электроинструмент, это еще не значит, что она будет работать безопасно.
- c) Номинальная скорость принадлежности не должна превышать максимальную скорость, указанную на электроинструменте. Принадлежности, используемые в работе при скорости, которая выше их номинальной скорости, могут сломаться и развалиться на части.
- d) Круги должны использоваться только согласно рекомендованным работам. К примеру, не шлифуйте боковой стороной отрезного круга. Абразивные отрезные круги предназначены для периферийного шлифования; силы, прилагаемые к этим кругам сбоку, могут вызвать их разрушение.
- e) Фланцы круга не должны иметь повреждений и должны соответствовать диаметру выбранного круга. Правильно подобранные фланцы поддерживают круг, уменьшая вероятность его поломки.
- f) Внешний диаметр и толщина принадлежности не должны выходить за пределы номинальной мощности электроинструмента. Если размер принадлежности подобран неправильно, их невозможно оградить и контролировать надлежащим образом.
- g) Размер отверстий кругов и фланцев должен полностью соответствовать шпинделю электроинструмента. Круги и фланцы, размер отверстия которых не совпадает с монтажной частью электроинструмента, разбалансируются, будут сильно вибрировать и могут стать причиной потери управления.
- h) Не используйте поврежденные круги. Перед каждым использованием проверяйте круги на наличие сколов и трещин. В случае падения электроинструмента или принадлежности, убедитесь в отсутствии

повреждений или установите круг, не имеющий повреждений. После проверки и установки круга встаньте так, чтобы плоскость вращения круга была направлена в сторону от вас и людей, находящихся вблизи вас, и включите электроинструмент с максимальной скоростью без нагрузки на одну минуту. Во время такой проверки поврежденные круги обычно разбиваются.

- i) Наденьте средства индивидуальной защиты. В зависимости от вида работы, используйте щиток-маску, защитные или предохранительные очки. При необходимости наденьте респиратор, средства защиты слуха, перчатки и рабочий фартук, способные защитить от попадания фрагментов абразива или заготовки. Средства защиты глаз должны защищать глаза от попадания летящих обрезков, которые возникают при выполнении различных видов работ. Лицевая маска или респиратор должны отфильтровывать частицы пыли, которые образуются во время работы. Длительное влияние сильного шума может вызвать потерю слуха.
 - j) Люди должны находиться на безопасном расстоянии от рабочего места. Любой человек, входящий в зону, где выполняется работа, должен надеть средства индивидуальной защиты. Фрагменты заготовки или сломанного круга могут отлететь и нанести травму людям, даже не находящимся в непосредственной близости от рабочего места.
 - k) Расположите кабель так, чтобы исключить вероятность его соприкосновения с вращающейся принадлежностью. В случае потери управления кабель может быть перерезан или ободран, а рука может попасть во вращающийся круг.
 - l) Регулярно прочищайте вентиляционные отверстия электроинструмента. Вентилятор двигателя всасывает пыль внутрь корпуса, а чрезмерное накопление металлической пыли повышает риск поражения электрическим током.
 - m) Не включайте электроинструмент вблизи легковоспламеняющихся материалов. Не используйте электроинструмент, размещающий его на горючей поверхности, такой как дерево. Искры могут воспалить эти материалы.
 - n) Не используйте принадлежности, которые необходимо охлаждать при помощи жидкого охладителя. Использование воды или другой охлаждающей жидкости может привести к смертельному поражению электрическим током.
- 2) **Отдачи и соответствующие предупреждения**
Отдача – это внезапный отскок инструмента в результате защемления или зацепления вращающегося круга. Защемление или зацепление вызывают резкую остановку вращающегося круга, которая в свою очередь приводит к отскоку неуправляемого режущего блока вверх по направлению к оператору.
К примеру, если шлифовальный круг защемятся или остановится в заготовке, то край круга, который входящий в зону защемления, может врезаться вглубь материала, что приведет к выходу или резкому выбросу круга наружу. Это также может стать причиной поломки шлифовального круга.

Отдача – это результат неправильного использования электроинструмента и/или несоблюдения техники эксплуатации или рабочего режима, который можно предотвратить, соблюдая соответствующие меры предосторожности, представленные ниже.

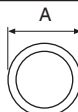
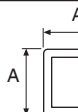
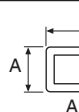
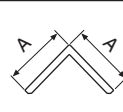
- a) **Крепко держите электроинструмент и займите такое положение, при котором ваше тело и рука смогут оказать сопротивление силе отдачи.** Оператор может контролировать силу отдачи, действующую в верхнем направлении, если предприняты правильные меры предосторожности.
- b) **Не занимайте положение на линии вращения круга.** При отдаче режущий блок будет выброшен вверх в направлении оператора.
- c) **Не устанавливайте пильную цепь, лезвие для резбы по дереву, сегментированный алмазный круг с периферийным зазором более 10 мм или зубчатое пильное полотно.** Такие полотна часто приводят к отдаче и потере контроля.
- d) **Не допускайте заклинивания круга и не давите на него слишком сильно. Не пытайтесь сделать слишком глубокий надрез.** Чрезмерное напряжение на круг увеличивает нагрузку и подверженность к переключению или блокировке круга в надрезе и повышает вероятность отдачи или поломки круга.
- e) **Если круг застрял или резка прервалась по какой-либо причине, выключите электроинструмент и держите его неподвижно, пока круг не остановится полностью. Никогда не пытайтесь вынуть отрезной круг из надреза, пока круг находится в движении, иначе может произойти отдача.** Установите причину застревания круга и устранили ее.
- f) **Не начинайте повторную резку, если круг инструмента находится внутри заготовки.** Дайте кругу набрать полную скорость и осторожно введите повторно в надрез. Круг может застрять, вырваться или отскочить, если запустить электроинструмент повторно, когда круг находится внутри заготовки.
- g) **При работе с нестандартными (большими) заготовками подкладывайте под них опоры, чтобы свести к минимуму риск защемления круга и отдачи.** Большие заготовки могут вписаться под собственным весом. Поэтому под такими заготовками возле линии обреза и возле краев детали с обеих сторон круга необходимо установить опоры.

ДОПОЛНИТЕЛЬНЫЕ УКАЗАНИЯ ПО ОБЕСПЕЧЕНИЮ БЕЗОПАСНОСТИ

1. Используйте стандартный отрезной диск на перпендикулярной ему рабочей поверхности.
2. Обеспечьте защиту от искр при отрезании.
3. Замените отрезной диск надлежащим образом.
4. Всегда внимательно следите за тем, чтобы не были ослаблены детали, фиксирующие отрезной диск. Неисправные детали приведут к повреждению отрезного диска.
5. Убедитесь в том, что на обрабатываемом изделии отсутствуют посторонние предметы, например, гвозди.
6. Абразивные диски должны храниться в соответствии с требованиями изготовителя и с ними следует обращаться осторожно.

7. Убедитесь в том, что установленный диск выбран в соответствии с требованиями изготовителя.
8. Никогда не используйте машину без установленного защитного приспособления. Всегда используйте предохранительный кожух. Предохранительный кожух защищает пользователя от фрагментов, которые могут отлететь от режущего диска, и от случайного контакта с режущим диском.
9. Убедитесь в том, что предохранительный кожух функционирует нормально и движется свободно. Не блокируйте предохранительный кожух в открытом положении.
10. Закрепите заготовку. Использование зажимного устройства или тисков позволит зафиксировать заготовку надежнее, чем это можно сделать руками.
11. Не используйте пильный диск.
12. Храните машину так, чтобы не создавать опасности. Машина должна храниться в сухом месте под замком. Это позволит предотвратить повреждение машины во время хранения и не допустить ее использование неквалифицированным персоналом.

ТЕХНИЧЕСКИЕ ХАРАКТЕРИСТИКИ

| | | | | | |
|---|-----------------------------|---|---|---|--|
| Напряжение (по регионам)*1 | | (220 В, 230 В, 240 В) ~ | | | |
| Потребляемая мощность*1 | | 2200 W | | | |
| Максимальные размеры отрезания*2 Высота x ширина | Форма материала для обрезки |  |  |  |  |
| | Угол резки 0° | 120 мм | 115 мм | 90 мм x 200 мм | 130 мм |
| | Угол резки 45° | 115 мм | 104 мм | 110 мм x 104 мм | 100 мм |
| Отрезной диск | | ø355 x ø25,4 x 4 мм (Армированный волокнистым наполнителем отрезной диск) | | | |
| Число оборотов холостого хода | | 4100 мин-1 | | | |
| Макс. рабочая окружная скорость | | 4800 м/мин | | | |
| Вес*3 | | 17,0 кг | | | |

*1 Проверьте паспортную табличку на изделии, так как она меняется в зависимости от региона.

*2 Максимальный размер резки равен доступному размеру резки, когда отрезной диск еще незначительно изношен разрезаемым материалом.

*3 Согласно процедуре 01/2014 EPTA (Европейской ассоциации производителей электроинструмента)

СТАНДАРТНЫЕ АКСЕССУАРЫ

- (1) Отрезной диск..... 1
- (2) Гаечный ключ в виде шестигранного стержня..... 1

ОБЛАСТЬ ПРИМЕНЕНИЯ

Обрезка различных металлических изделий, например, труб, круглых стержней и стальных фасонных изделий.

ПОДГОТОВКА К ЭКСПЛУАТАЦИИ

1. Источник электропитания

Проследите за тем, чтобы используемый источник электропитания соответствовал требованиям к источнику электропитания, указанным на типовой табличке изделия.

2. Переключатель "Вкл./ Выкл."

Убедитесь в том, что переключатель находится в положении "Выкл.". Если вы вставляете штепсель в розетку, а переключатель находится в положении "Вкл.", инструмент немедленно заработает, что может стать причиной серьезной травмы.

3. Удлинитель

Когда рабочая площадка удалена от источника электропитания, пользуйтесь удлинителем. Удлинитель должен иметь требуемую площадь поперечного сечения и обеспечивать работу инструмента заданной мощности. Разматывайте

удлинитель только на реально необходимую для данного конкретного применения длину.

4. Установите машину на ровной гладкой поверхности и зафиксируйте в устойчивом состоянии. Перед отправкой оборудование подвергается строгому заводскому контролю на предмет защиты от поражения электрическим током во время эксплуатации.
5. Так как подвижные части закрепляют натяжением цепи на время транспортировки, снимите цепь с цепного крюка путем нажатия на рукоятку переключателя.
6. Убедитесь в том, что все отрезные диски находятся в идеальном состоянии и на них не видны царапины и трещины.
7. Несмотря на то, что они были надежно зафиксированы на заводе перед отправкой, в целях безопасности повторно зафиксируйте зажимные гайки.
8. Защитная крышка (крышка диска) предусмотрена для предотвращения возможных неприятностей, например, появления трещины на отрезном диске. Несмотря на то, что она была надежно зафиксирована на заводе перед отправкой, в целях безопасности повторно зафиксируйте крепежные винты.
9. При замене отрезного диска обязательно убедитесь в том, что указанная расчетная окружная скорость отрезного диска, предназначенного для замены, равна или превышает 4800 м/мин.

10. Обязательно убедитесь в том, что к машине не прикреплен гаечный ключ в виде стержня, который применяется для затягивания или снятия отрезного диска.
11. Проверьте и убедитесь, что обрабатываемое изделие поддерживается надлежащим образом. Обязательно убедитесь в том, что заготовка надежно зажата тисками. В противном случае, ослабление фиксации заготовки может привести к несчастному случаю или к поломке отрезного диска во время работы.
12. Перед использованием обязательно убедитесь в том, что абразивный диск правильно установлен и зафиксирован, а также дайте машине поработать без нагрузки в течение 30с в безопасном положении, немедленно остановите машину, если появится значительная вибрация или если будут обнаружены другие дефекты. В этом случае проверьте машину для выяснения причины неисправности.
13. Повращайте отрезной диск для проверки торцового отклонения. Сильное отклонение приведет к сдвигу отрезного диска.
14. Обязательно убедитесь в том, что при работе в условиях запыленности поддерживается чистота вентиляционных отверстий. В случае возникновения необходимости очистки от пыли, прежде всего, отсоедините машину от сетевой розетки.

ПРОЦЕДУРА ОТРЕЗАНИЯ

ОСТОРОЖНО

Снимать или устанавливать обрабатываемое изделие во время вращения отрезного диска опасно.

1. Функционирование выключателя

Питание будет включаться при нажатии переключателя и выключаться при его отпускании. (Рис. 2)

2. Отрезание

- (1) Во время вращения отрезного диска мягко нажмите рукоятку вниз и приблизьте отрезной диск к заготовке для отрезания.
- (2) При соприкосновении отрезного диска с заготовкой для отрезания мягко нажмите рукоятку дальше вниз и начните выполнять отрезание.
- (3) Когда процесс отрезания (или выполнения намеченного щелевого отверстия) будет завершен, поднимите рукоятку и установите ее в исходное положение.
- (4) При завершении каждого этапа в процессе отрезания, устанавливайте выключатель в положение выключения OFF (ВЫКЛ) для остановки вращения, а затем продолжите выполнение следующего этапа отрезания.

ОСТОРОЖНО

Скорость отрезания не увеличится, если к рукоятке будет приложено большее усилие.

Приложение слишком большого усилия к рукоятке приведет к перегрузке двигателя и к уменьшению его мощности.

Обязательно установите выключатель в положение выключения OFF (ВЫКЛ) после завершения работы и отсоедините вилку от сетевой розетки.

УСТАНОВКА И СНЯТИЕ ОТРЕЗНОГО ДИСКА

ОСТОРОЖНО

При работе с отрезными дисками надевайте перчатки.

1. Снятие отрезного диска (Рис. 3 и 4)

- (1) Поднимите нижнее защитное приспособление (А) и нижнее защитное приспособление (В). Нажмите на стопорный штырь, чтобы привести его в соприкосновение с дисковой шайбой. Поверните отрезной диск, пропустите стопорный штырь через отверстие в дисковой шайбе, а затем удалите болт М10 с помощью прилагаемого универсального гаечного ключа.
- (2) Снимите болт, шайбу (А), и шайбу диска, а затем отсоедините отрезной диск. (Рис. 4)

ОСТОРОЖНО

Не удаляйте уплотнительное кольцо или втулку с отрезного дискового шпинделя.

2. Установка отрезного диска

Тщательно удалите пыль с шайб диска и болта, затем установите диск, путем выполнения в обратной последовательности действий, описанных для процедуры снятия диска. Верните нижнее защитное приспособление (А) и нижнее защитное приспособление (В) в исходное положение.

ОСТОРОЖНО

Убедитесь в том, что стопор, который был использован для установки и снятия отрезного диска, установлен в отведенном назад положении.

ЭКСПЛУАТАЦИЯ

1. Процедура закрепления заготовки для отрезания (Рис. 5 и 6)

Поместите обрабатываемое изделие между зажимным приспособлением (А) и зажимным приспособлением (В), поднимите муфту и переместите зажимное приспособление (А) при помощи рукоятки винта так, чтобы оно слегка соприкасалось с обрабатываемым изделием, как показано на Рис. 5.

Затем опустите муфту вниз и надежно закрепите обрабатываемое изделие в нужном положении путем поворота рукоятки винта. Когда процесс отрезания будет завершен, поверните рукоятку винта 2 или 3 раза для ослабления зажимного приспособления (А), и снимите обрабатываемое изделие, как показано на Рис. 6.

ОСТОРОЖНО

Никогда не снимайте и не устанавливайте обрабатываемое изделие во время вращения отрезного диска для того, чтобы избежать получения травмы.

2. Отрезание под углом (Рис. 7)

- (1) Машина позволяет выполнить отрезание под углом 0° или 45°.
- (2) Ослабьте два болта М10 с головками под шестигранный торцовый ключ на зажимном приспособлении (В), затем установите рабочую поверхность на захват зажимного приспособления под любым углом, равным 0°, 30° или 45°. После завершения установки в нужное положение, надежно затяните два 10 мм болта.

3. Перемещение стационарного захвата зажимного приспособления (Рис. 8)

Максимальное расстояние между зажимными приспособлениями, которое устанавливается при отправке с завода, равно 165 мм. В случае, когда необходимо, чтобы это расстояние превысило 165 мм, переместите зажимное приспособление в положение, показанное штрих-пунктирной линией, после того, как выкрутите два болта. Максимальное расстояние между зажимными приспособлениями может быть установлено в два этапа 200 мм и 235 мм. Если заготовка для отрезания будет слишком широкой, зажимное приспособление может быть эффективно использовано путем изменения положения стационарно установленной стороны захватов зажимных приспособлений.

4. Резка длинных рабочих изделий (Рис. 9)

Убедитесь, что Вы расположили оба конца длинного рабочего изделия на блоках, которых имеют одинаковую высоту с основанием, чтобы стабилизировать его до начала работы.

5. Как использовать квадратный блок (Рис. 10)

При уменьшении внешнего диаметра отрезного диска вставьте между тисками (А) и (В) квадратный блок, немного меньшего диаметра, чем размер рабочего изделия для резки, чтобы экономно использовать отрезной диск.

6. Настройка глубины резки (Рис. 11)

При уменьшении внешнего диаметра отрезного диска уменьшите высоту стопорного болта, чтобы настроить глубину резки. Настройки выполняются с помощью ослабления зажимной гайки и поворота стопорного болта. После завершения заново закрепите зажимную гайку, чтобы зафиксировать стопорный болт на месте.

В зависимости от материала можно избавиться от заноз.

ОСТОРОЖНО

- Убедитесь, что высота стопорного болта заново настроена при замене отрезного диска.
- Если стопорный болт расположен слишком низко, отрезной диск может выполнять резку с основанием.

7. Настройка искровой пластины (Рис. 12)

Ослабьте винт, удерживающий на месте искровую пластину, с помощью крестовой отвертки, чтобы отрегулировать угол.

Измените угол в соответствии с преобладающей рабочей средой и выполняемой работой, чтобы отрегулировать направление, в котором разлетаются осколки.

8. Транспортировка устройства (Рис. 13)

При перемещении устройства прикрепите на цепь цепной крюк и при переноске держитесь за рукоятку для переноски.

ТЕХНИЧЕСКОЕ ОБСЛУЖИВАНИЕ И ПРОВЕРКА

ОСТОРОЖНО

Обязательно выключите машину и отсоедините вилку от сетевой розетки перед началом проведения проверки и технического обслуживания.

1. Замена отрезного диска

Когда отрезной диск иступится при непрерывной эксплуатации, двигатель начнет работать с перегрузкой. Следовательно, для обеспечения эффективной эксплуатации восстановите или замените иступленный отрезной диск.

2. Обследование угольных щеток (Рис. 14)

В двигателе используются угольные щетки, которые постепенно изнашиваются. Поскольку чрезмерно изношенная угольная щетка может стать причиной неисправности двигателя, замените обе изношенные или почти изношенные угольные щетки новыми, как показано на рисунке. Кроме того, всегда содержите угольные щетки в чистоте и обязательно следите за тем, чтобы они могли свободно скользить в щеткодержателях.

3. Проверка установленных винтов

Регулярно проверяйте все установленные на инструменте винты, следите за тем, чтобы они были как следует затянуты. Немедленно затяните винт, который окажется ослабленным. Невыполнение этого правила грозит серьёзной опасностью.

4. Замена сетевого шнура

В случае необходимости замены сетевого шнура во избежание угрозы безопасности замену должен осуществить авторизованный сервисный центр HiKOKI.

5. Смазка

Для поддержания машины в рабочем состоянии в течение продолжительного времени доливайте масло в один раз в месяц в следующие места подвода масла.

Места подвода масла

- Вращающаяся часть вала
- Вращающаяся часть зажимного приспособления
- Участок скольжения зажимного приспособления (А)

6. Очистка

Время от времени протирайте машину мягкой тканью или подобным материалом и удаляйте налипшую стружку и обрезки. Будьте осторожны, не допустите попадания масла или воды в отсек двигателя.

ОСТОРОЖНО

При работе и обслуживании механизированных инструментов нужно соблюдать правила и стандарты безопасности, действующие в каждой данной стране.

ГАРАНТИЯ

Мы гарантируем соответствие автоматических инструментов HiKOKI нормативным/национальным положениям. Данная гарантия не распространяется на дефекты или ущерб, возникший вследствие неправильного использования или ненадлежащего обращения, а также нормального износа. В случае подачи жалобы отправляйте автоматический инструмент в неразобранном состоянии вместе с ГАРАНТИЙНЫМ СЕРТИФИКАТОМ, который находится в конце инструкции по обращению, в авторизованный центр обслуживания HiKOKI.

ПРИМЕЧАНИЕ

На основании постоянных программ исследования и развития, HiKOKI оставляют за собой право на изменение указанных здесь технических данных без предварительного уведомления.

Информация, касающаяся создаваемого шума и вибрации

Измеряемые величины были определены в соответствии с EN62841.

Типичный средневзвешенный уровень звукового давления: 95 дБ (А)

Типичный средневзвешенный уровень звуковой мощности: 108 дБ (А)

Надевайте наушники.

● Информация о системе электроснабжения с номинальным напряжением 230 В~

При неблагоприятном состоянии сети электроснабжения данный электроинструмент может стать причиной кратковременных падений напряжения или мешающих колебаний напряжения.

Данный электроинструмент предназначен для подсоединения к системе электроснабжения с максимальным допустимым полным сопротивлением системы Z_{\max} , равным 0,14 Ом в точке подключения (распределительная коробка сети электроснабжения) к сети электроснабжения пользователя.

Пользователь должен обязательно убедиться в том, что данный электроинструмент будет подсоединен только к системе электроснабжения, которая удовлетворяет изложенным выше требованиям.

В случае необходимости, пользователь может обратиться в компанию коммунального электроснабжения относительно полного сопротивления системы в точке подключения.

● Информация относительно выключателя прерывателя с номинальным напряжением 230 В~

Данный электроинструмент должен эксплуатироваться только в том случае, если он будет подсоединен к плавкому предохранителю 16 А, с характеристикой отсоединения класса gI.

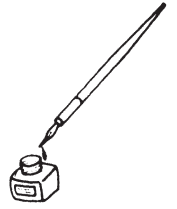
| | |
|--|--|
| <p>English</p> <p><u>GUARANTEE CERTIFICATE</u></p> <p>① Model No. ② Serial No. ③ Date of Purchase ④ Customer Name and Address ⑤ Dealer Name and Address (Please stamp dealer name and address)</p> | <p>Український</p> <p><u>ГАРАНТІЙНИЙ СЕРТИФІКАТ</u></p> <p>① № моделі ② № серії ③ Дата придбання ④ Ім'я і адреса клієнта ⑤ Ім'я і адреса дилера (Будь ласка, поставте печатку з іменем і адресою дилера)</p> |
| <p>Türkçe</p> <p><u>GARANTİ SERTİFİKASI</u></p> <p>① Model No. ② Seri No. ③ Satın Alma Tarihi ④ Müşteri Adı ve Adresi ⑤ Bayi Adı ve Adresi (Lütfen bayi adını ve adresini kaşe olarak basın)</p> | <p>Русский</p> <p><u>ГАРАНТИЙНЫЙ СЕРТИФИКАТ</u></p> <p>① Модель № ② Серийный № ③ Дата покупки ④ Название и адрес заказчика ⑤ Название и адрес дилера (Пожалуйста, внесите название и адрес дилера)</p> |




HIKOKI

| | |
|---|--|
| ① | |
| ② | |
| ③ | |
| ④ | |
| ⑤ | |





| | |
|---|--|
| <p>English</p> <p>EC DECLARATION OF CONFORMITY</p> <p>We declare under our sole responsibility that Cut-Off Machine, identified by type and specific identification code *1), is in conformity with all relevant requirements of the directives *2) and standards *3). Technical file at *4) – See below. The European Standard Manager at the representative office in Europe is authorized to compile the technical file. The declaration is applicable to the product affixed CE marking.</p> | <p>Український</p> <p>ДЕКЛАРАЦІЯ ВІДПОВІДНОСТІ ЕС</p> <p>Ми заявляємо під нашу виключну відповідальність, що Відрізна машина, визначена за типом та унікальним ідентифікаційним кодом *1), відповідає всім відповідним вимогам директив *2) та стандартів *3). Технічна документація на *4) - Див. нижче. Відповідальний за дотримання європейських стандартів у представництві в Європі уповноважений заповнювати технічний паспорт. Ця декларація дійсна щодо виробу, маркованого CE.</p> |
| <p>Türkçe</p> <p>AT UYGUNLUK BEYANI</p> <p>Tip ve özel tanım koduyla *1) tanımlı Profil Kesme'nin direktiflerin *2) ve standartların *3) tüm ilgili gereksinimlerine uygun olduğunu tamamen kendi sorumluluğumuz altında beyan ederiz. Teknik dosya *4) dedir – Aşağıya bakın. Avrupa'daki temsilcilik ofisindeki Avrupa Standartları Yöneticisi, teknik dosyayı derlemek için yetkilendirilmiştir. Beyan, üzerinde CE işareti bulunan ürünler için geçerlidir.</p> | <p>Русский</p> <p>ДЕКЛАРАЦИЯ СООТВЕТСТВИЯ ЕС</p> <p>Мы с полной ответственностью заявляем, что отрезная машина, идентифицируемая по типу и соответствующему идентификационному коду *1), отвечает всем соответствующим требованиям директив *2) и стандартов *3). Техническая документация в *4) – см. ниже. Менеджер по европейским стандартам в представительстве в Европе уполномочен составлять техническую документацию. Данная декларация относится к изделиям, на которых имеется маркировка CE.</p> |
| <p>*1) CC14ST C346869S</p> <p>*2) 2006/42/EC, 2014/30/EU, 2011/65/EU</p> <p>*3) EN62841-1:2015 EN62841-3-10:2015 EN55014-1:2006+A1:2009+A2:2011 EN55014-2:1997+A1:2001+A2:2008 EN61000-3-2:2014 EN61000-3-11:2000</p> | |
| <p>*4) Representative office in Europe Hikoki Power Tools Deutschland GmbH Siemensring 34, 47877 Willich, Germany</p> <p>Head office in Japan Koki Holdings Co., Ltd. Shinagawa Intercity Tower A, 15-1, Konan 2-chome, Minato-ku, Tokyo, Japan</p> | <p>30. 4. 2019 Naoto Yamashiro European Standard Manager</p> <p>30. 4. 2019  A. Nakagawa Corporate Officer</p> |

Hikoki Power Tools RUS L.L.C.
Kashirskoe Shosse 41, bldg. 2, 115409, Moscow, Russia
Tel: +7 495 727 4460
Fax: +7 495 727 4461
URL: <http://www.hikoki-powertools.ru>

Koki Holdings Co., Ltd.

904
Code No. C99208853 A
Printed in China