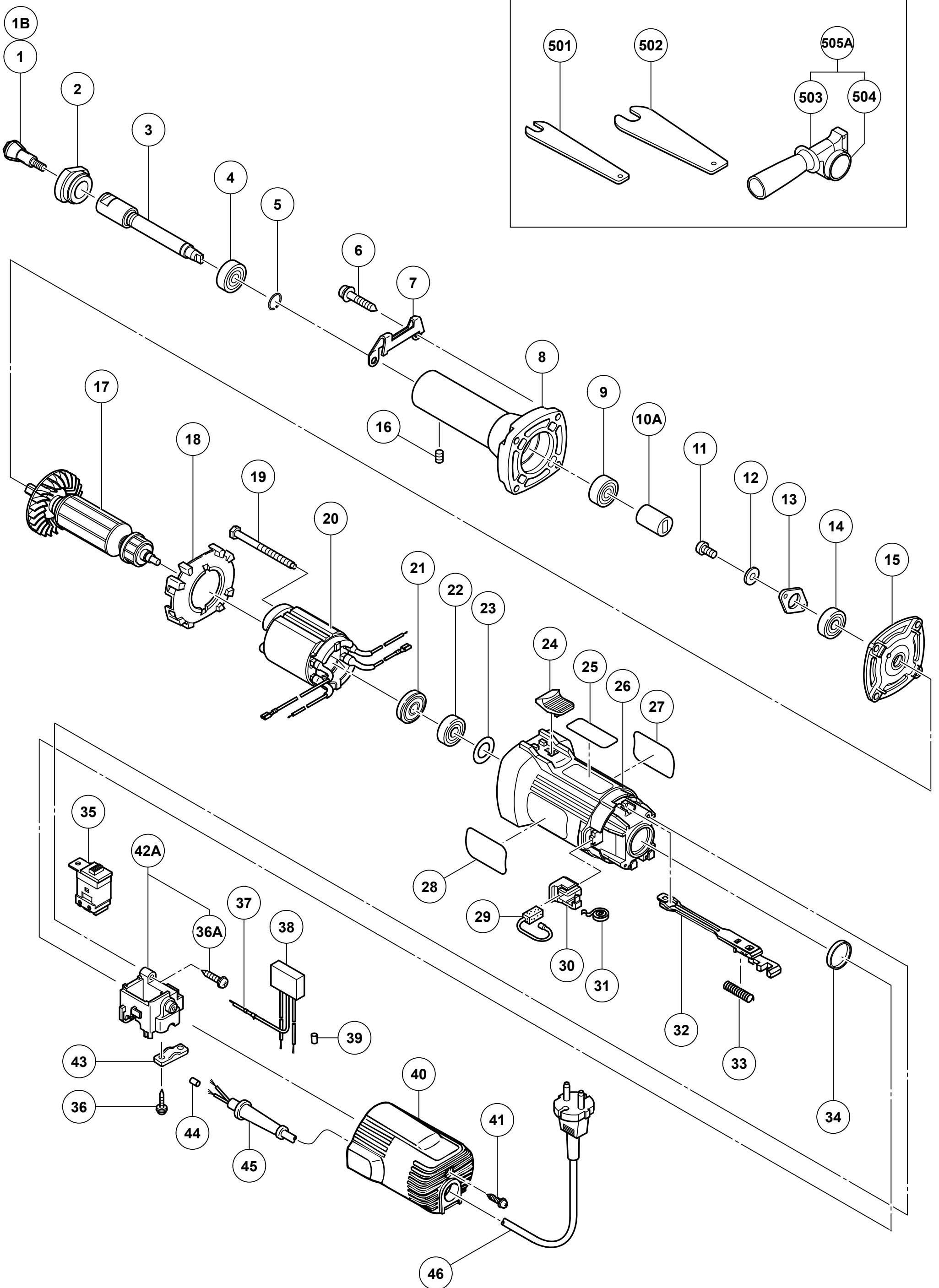


HIKOKI

HAND GRINDER GP2S2

Item No.	Code No.	Description	No. Used	Remarks
*1B	377082	COLLET CHUCK 6MM	1	
2	332452	BEARING LID (B)	1	
3	332453	SPINDLE	1	
4	6001VV	BALL BEARING 6001VV	1	
5	932617	RING	1	
6	986011	TAPPING SCREW (W/SP. WASHER) D5X30	4	
7	317807	GUARD PLATE	1	
8	331474	NOSE BRACKET	1	
9	6000VV	BALL BEARING 6000VVCMP2L	1	
10A	372998	COUPLING	1	
11	987201	SEAL LOCK SCREW (W/SP. WASHER) M4X10	2	
12	949453	SPRING WASHER M4 (10 PCS.)	2	
13	937876	BEARING COVER	1	
14	608VVM	BALL BEARING 608VVC2PS2L	1	
15	331475	INNER COVER	1	
16	981478	HEX. SOCKET SET SCREW M4X4	1	
*17	360879E	ARMATURE 220V-230V	1	
18	319898	FAN GUIDE	1	
19	982021	HEX. HD. TAPPING SCREW D4X70	2	
*20	340758H	STATOR (A) 230V	1	
21	315877	DUST SEAL	1	
22	608VVM	BALL BEARING 608VVC2PS2L	1	
23	332804	WASHER M14	1	
24	314428	SLIDE KNOB	1	
25		CAUTION PLATE	1	
26	317802	HOUSING	1	
27		NAME PLATE	1	
28		BRAND LABEL	1	
29	999088	CARBON BRUSH (1 PAIR)	2	
30	317810	BRUSH HOLDER	2	
31	308536	SPRING	2	
32	317806	SLIDE BAR	1	
33	314429	SPRING	1	
34	995662	RUBBER RING	1	
*35	332805	SLIDE SWITCH (2P PILLAR TYPE)	1	
36	984750	TAPPING SCREW (W/FLANGE) D4X16	2	
36A	301653	TAPPING SCREW (W/FLANGE) D4X20 (BLACK)	1	SINCE 11.2020
*37	314854	EARTH TERMINAL	1	FOR NOISE SUPPRESSOR
*38	325566	NOISE SUPPRESSOR	1	FOR EUROPE,GBR,RUS,NOR,DEN,FIN,AUS,NZL, SAF,PAN,CHN,TPE,KOR
39	981373	TUBE (D)	2	
40	317808	TAIL COVER	1	
41	984750	TAPPING SCREW (W/FLANGE) D4X16	1	
42A	376969	SWITCH HOLDER ASS'Y	1	INCLUD. 36A
43	937631	CORD CLIP	1	
44	981373	TUBE (D)	2	
*45	953327	CORD ARMOR D8.8	1	
*46	500409Z	CORD	1	(CORD ARMOR D8.8)
*46	500247Z	CORD	1	(CORD ARMOR D8.8) FOR FIN,DEN,SWE,NOR
		STANDARD ACCESSORIES		
501	936553	WRENCH 12MM	1	
502	936638	WRENCH 17MM	1	
*503	324548	SIDE HANDLE	1	

* ALTERNATIVE PARTS



MODEL
GP2S2