

HIKOKI**PLANER**

Item No.	Code No.	Description	No. Used	Remarks
1	6200VV	BALL BEARING 6200VVCMP2L	2	
2	334480	CUTTER BLOCK ASS'Y (W/B.B)	1	INCLUD.1,3 EXCEPT FOR IND
3	608VVM	BALL BEARING 608VVC2PS2L	2	
4A	336571	PLANER BLADES (1 PAIR)	2	FOR DOUBLE EDGE BLADE TYPE
5	334478	SET PLATE (B) (1 PAIR)	2	FOR DOUBLE EDGE BLADE TYPE
6	314754	SET PLATE (A)	2	EXCEPT FOR IND
7	949423	WASHER M4 (10 PCS.)	4	EXCEPT FOR IND
8	949213	MACHINE SCREW M4X5 (10 PCS.)	4	EXCEPT FOR IND
9	316398	BLADE HOLDER (1 PAIR)	2	EXCEPT FOR IND
11A	336574	BOLT M6	6	
12	314746	PLANER BLADES 82MM (1 PAIR)	2	EXCEPT FOR DOUBLE EDGE BLADE TYPE
13	958945	SCREW PLATE	1	
14	954004	TAPPING SCREW D4X16	1	
15	958709	SPRING	1	
16	958708	RUBBER PACKING	1	
17	334738	FRONT BASE	1	
18		SCALE	1	
19	942328	KNOB	1	
20	334492	BEARING COVER	1	
21	309470	TAPPING SCREW (W/FLANGE) D4X12 (BLACK)	2	
22	334501	TIP COVER	1	
23	333163	MACHINE SCREW (BLACK) M4X16	1	
24	938477	HEX. SOCKET SET SCREW M5X8	2	
25		NAME PLATE	1	
26	957571	BRUSH HOLDER	2	
27	999021	CARBON BRUSH (1 PAIR)	2	
28	931266	BRUSH CAP	2	
29A	334487	BELT COVER	1	
30	958718	BELT	1	
31	334491	PULLEY (B)	1	
32	334716	END BRACKET	1	
33	334713	WASHER (A)	1	
*34	360942H	ARMATURE 110V	1	
*34	360942U	ARMATURE ASS'Y 120V	1	INCLUD.1,3
*34	360942D	ARMATURE 127V	1	
*34	360942G	ARMATURE 220V	1	
*34	360942E	ARMATURE 230V	1	
*34	360942F	ARMATURE 240V	1	
34A	360936G	ARMATURE 220V	1	FOR CHN
*35	340834C	STATOR ASS'Y 110V	1	INCLUD.36
*35	340835C	STATOR ASS'Y 110V-120V	1	INCLUD.36 FOR USA,CAN (120V), SAU,UAE (110V)
*35	340835D	STATOR ASS'Y 127V	1	INCLUD.36
*35	340834E	STATOR ASS'Y 220V-230V	1	INCLUD.36
*35	340835E	STATOR ASS'Y 220V-230V	1	INCLUD.36 FOR BRA (220V),PAN (220V),PHI, INA,SIN,HKG,IND,ISR,UAE (220V-230V)
*35	340834F	STATOR ASS'Y 240V	1	INCLUD.36
*35	340835F	STATOR ASS'Y 240V	1	INCLUD.36 FOR MAL,UAE (240V)
36	931867	BRUSH TERMINAL	2	
37	301653	TAPPING SCREW (W/FLANGE) D4X20 (BLACK)	10	
38	334490	PULLEY (A)	1	
39	334717	GRIP COVER	1	
40	334484	HANDLE COVER	1	

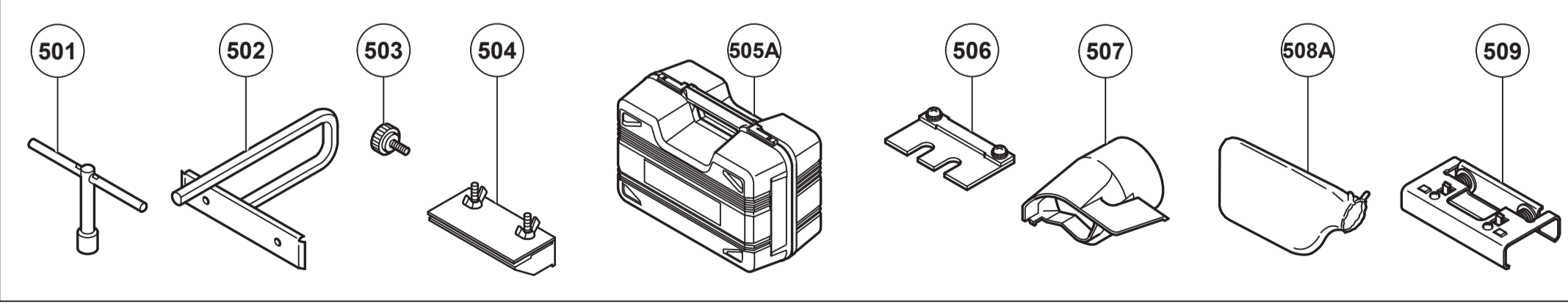
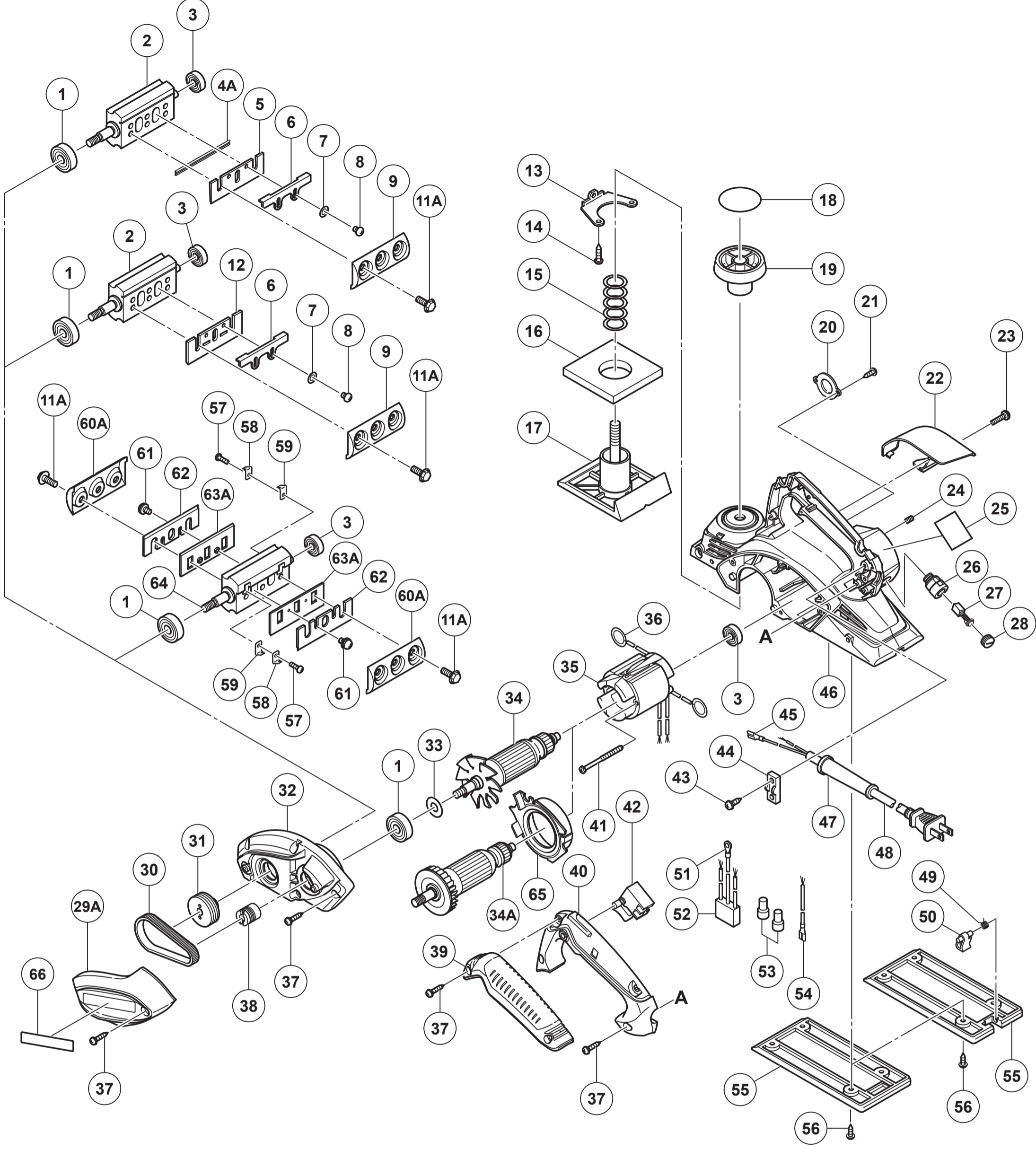
* ALTERNATIVE PARTS

HIKOKI

PLANER

Item No.	Code No.	Description	No. Used	Remarks
41	960108	HEX. HD. TAPPING SCREW D4X60	2	
*42	334474	SWITCH	1	W/OFF LOCK TYPE
*42	322101	SWITCH	1	W/ON LOCK TYPE
43	984750	TAPPING SCREW (W/FLANGE) D4X16	2	
44	937631	CORD CLIP	1	
45	331707	FASTON	1	
*46	334482	HOUSING ASS'Y	1	INCLUD. 13, 14, 24, 26
*46	334483	HOUSING ASS'Y	1	INCLUD. 13, 14, 24, 26 FOR USA, CAN
*47	938051	CORD ARMOR D10.1	1	
*47	953327	CORD ARMOR D8.8	1	
*48	500409Z	CORD	1	(CORD ARMOR D8.8)
*48	500247Z	CORD	1	(CORD ARMOR D8.8) FOR NOR SWE, DEN, FIN
*48	500432Z	CORD	1	(CORD ARMOR D8.8) FOR USA, CAN, MEX, PAN (120V)
*48	500231Z	CORD	1	(CORD ARMOR D8.8) FOR SIN, MAL, UAE (230V-240V)
*48	500201Z	CORD	1	(CORD ARMOR D10.1) FOR SAU, UAE (110V)
*48	500455Z	CORD	1	(CORD ARMOR D8.8) FOR CHN, PHI
*48	500439Z	CORD	1	(CORD ARMOR D8.8) FOR AUS, NZL
*48	500435Z	CORD	1	(CORD ARMOR D8.8) FOR GBR (230V), HKG
*48	500461Z	CORD	1	(CORD ARMOR D8.8) FOR GBR (110V)
*48	500447Z	CORD	1	(CORD ARMOR D8.8) FOR SUI
*48	500487Z	CORD	1	(CORD ARMOR D8.8) FOR BRA
*48	500470Z	CORD	1	(CORD ARMOR D8.8) FOR TPE
*48	500234Z	CORD	1	(CORD ARMOR D8.8) FOR KOR
49	334499	STAND	1	FOR USA, CAN
50	334500	SPRING	1	FOR USA, CAN
*51	961419Z	TERMINAL	1	FOR AUS, NZL, SAF, GBR, EUROPE, NOR, SWE, DEN, FIN, AUT, TUR, SUI, RUS, CHN, TPE, KOR
*52	334472	NOISE SUPPRESSOR	1	FOR AUS, NZL, SAF, GBR, EUROPE, NOR, SWE, DEN, FIN, AUT, TUR, SUI, RUS, CHN, TPE, KOR
*53	959140	CONNECTOR 50091 (10 PCS.)	1	
*53	959141	CONNECTOR 50092 (10 PCS.)	2	FOR AUS, NZL, SAF, GBR, EUROPE, NOR, SWE, DEN, FIN, AUT, TUR, SUI, RUS, CHN, TPE, KOR
*54	331269	INTERNAL WIRE	1	FOR AUS, NZL, SAF, GBR, EUROPE, NOR, SWE, DEN, FIN, AUT, TUR, SUI, RUS, CHN, TPE, KOR
*55	334837	REAR BASE	1	EXCEPT FOR USA, CAN
*55	334838	REAR BASE	1	FOR USA, CAN
56	307811	TAPPING SCREW (W/FLANGE) D4X16 (BLACK)	4	
57	949216	MACHINE SCREW M4X10 (10 PCS.)	4	FOR IND
58	958731Z	HOLDER SPRING (B)	4	FOR IND
59	958732Z	GUARD PLATE (A)	4	FOR IND
60A	378255	BLADE HOLDER (1 PAIR)	2	FOR IND
61	976815	MACHINE SCREW (W/WASHERS) M4X8	4	FOR IND
62	958728	PLANER BLADES 82MM (1 PAIR)	2	FOR IND
63A	378253	BACK METAL (1 PAIR)	2	FOR IND
64	334481	CUTTER BLOCK ASS'Y (W/B.B)	1	INCLUD. 1, 3, 57-59 FOR IND
65	334493	FAN GUIDE	1	FOR CHN
66		BRAND LABEL	1	
		STANDARD ACCESSORIES		
501	940543	BOX WRENCH 10MM	1	
502	958842Z	GUIDE	1	
503	940650	STOPPER SCREW M5X14	1	

* ALTERNATIVE PARTS



MODEL
P20ST