

# HIKOKI

## MITER SAW C10FCE2

Item No.	Code No.	Description	No. Used	Remarks
3	307956	SEAL LOCK HEX. SOCKET SET SCREW M6X10	1	
4	323208	MACHINE SCREW (W/WASHERS) M6X20 (BLACK)	1	
5A	371742	CLAMP LEVER	1	
6A	371743	BOLT (LEFT HAND) M10	1	
7	318934	SPECIAL WASHER	1	
8	322889	SLEEVE	1	
9	322965	LINER (D)	1	
10	322890	SPRING	1	
11	302518	STOPPER PIN ASS'Y	1	INCLUD. 12
12	984528	O-RING (P-6)	1	
13A	371740	SHAFT (D)	1	
14	322934	WASHER M16	1	
15	322888	SHAFT (C)	1	
16	322932	HINGE	1	
18	322937	LINER (B)	1	
19	322963	DUST GUIDE HOLDER	1	
20	949215	MACHINE SCREW M4X8 (10 PCS.)	1	
21	303409	NYLOCK BOLT M8X25	2	
22	322891	DUST GUIDE ASS'Y	1	INCLUD. 19, 20, 24
23	987512	MACHINE SCREW (W/SP. WASHER) M5X16	2	
24	322892	SCALE (B)	1	
25	322893	INDICATOR (B)	1	
26	304043	MACHINE SCREW (W/WASHERS) M4X10 (BLACK)	1	
27	680418	NYLON NUT M12	1	
28	975348	NYLON NUT M8	1	
29	318929	WASHER (F)	1	
30	949217	MACHINE SCREW M4X12 (10 PCS.)	4	
31	949429	BOLT WASHER M4 (10 PCS.)	4	
32	322929	TABLE INSERT (A)	1	
33	322930	TABLE INSERT (B)	1	
34	304043	MACHINE SCREW (W/WASHERS) M4X10 (BLACK)	1	
35	322904	INDICATOR (A)	1	
36	326695	TURN TABLE	1	
37A	376050	SIDE HANDLE	1	
38	322952	WISE ASS'Y	1	INCLUD. 39-45
39	302522	KNOB BOLT M10X66	1	
40	301806	WING BOLT M6X15	1	
41		SCREW HOLDER	1	
42	949432	BOLT WASHER M6 (10 PCS.)	1	
43	302532	WISE PLATE	1	
44	949216	MACHINE SCREW M4X10 (10 PCS.)	1	
45	322954	WISE SHAFT	1	
46	949678	BOLT M8X35 (10 PCS.)	4	
47	949457	SPRING WASHER M8 (10 PCS.)	4	
48	949433	BOLT WASHER M8 (10 PCS.)	4	
49	963837	NYLON NUT M6	1	
50	326711	PLATE (A)	1	
51	301806	WING BOLT M6X15	1	
52	949342	FLAT HD. SCREW M6X25 (10 PCS.)	1	
53	326704	SUB FENCE (B)	1	
54	326698	FENCE (B)	1	
55	326705	HOLDER	1	
56	322901	LINER (A)	2	

\* ALTERNATIVE PARTS

# HIKOKI

## MITER SAW C10FCE2

Item No.	Code No.	Description	No. Used	Remarks
57	322964	LINER (C)	1	
58	949611	BOLT M6X12 (10 PCS.)	2	
59	322903	SPRING PLATE	1	
60	949457	SPRING WASHER M8 (10 PCS.)	2	
61	949655	HEX. SOCKET HD. BOLT M8X16 (10 PCS.)	2	
62	326826	SCALE (A)	1	
63	326696	SPACER (A)	1	
64	317200	MACHINE SCREW (W/WASHERS) M4X8 (BLACK)	1	
65	326697	FENCE (A)	1	
66A	371738	SHAFT (B)	1	
67	326694	BASE ASS'Y	1	INCLUD.62
*68	336353	HOLDER (B)	1	SINCE 10.2012 TILL 4.2019 FOR EUROPE
*69	949611	BOLT M6X12 (10 PCS.)	1	SINCE 10.2012 TILL 4.2019 FOR EUROPE
100	998335	BOLT (LEFT HAND) W/WASHER M7X17.5	1	
*101	318961	WASHER (A)	1	FOR EUROPE,CHN
*101	318962	WASHER (B)	1	FOR EUROPE,CHN
*102	319107	TCT SAW BLADE 255MM-D30 HOLE-NT30	1	
*103	974663Z	COLLAR (A) FOR D30 HOLE	1	FOR EUROPE
104	323133	SPINDLE ASS'Y	1	INCLUD.105-109
105	990430	SEAL LOCK FLAT HD. SCREW M4X10	2	
106	322919	BEARING COVER	1	
107	6003VV	BALL BEARING 6003VVCMP2L	1	
108	322918	BEARING HOLDER	1	
109	322917	SPINDLE AND GEAR SET	1	
110A	373278	NEEDLE BEARING	1	
111	987512	MACHINE SCREW (W/SP. WASHER) M5X16	2	
115	949819	HEX. SOCKET HD. BOLT M5X10 (10 PCS.)	1	
116	961729	CUSHION	1	
117	949340	FLAT HD. SCREW M6X16 (10 PCS.)	1	
118	949217	MACHINE SCREW M4X12 (10 PCS.)	1	
119	949429	BOLT WASHER M4 (10 PCS.)	1	
120	322920	HOOK	1	
121	326708	HANDLE	1	
122	323208	MACHINE SCREW (W/WASHERS) M6X20 (BLACK)	2	
*123B	336354	GEAR CASE	1	INCLUD.110 SINCE 10.2012 FOR EUROPE
*124	323987	LEVER SPRING	1	TILL 4.2019 FOR EUROPE
*125	323990	LEVER SHAFT	1	TILL 4.2019 FOR EUROPE
*126	323979	LOCK LEVER (C)	1	TILL 4.2019 FOR EUROPE
*127	323982	LEVER HOLDER	1	TILL 4.2019 FOR EUROPE
*128	877371	NYLON NUT M5	1	TILL 4.2019 FOR EUROPE
*129	949236	MACHINE SCREW M5X10 (10 PCS.)	2	TILL 4.2019 FOR EUROPE
*130	322951	SPINDLE COVER	1	FOR EUROPE,USA,CAN,AUS,MAL
*131	949215	MACHINE SCREW M4X8 (10 PCS.)	2	FOR EUROPE,USA,CAN,AUS,MAL
132	322950	SPECIAL SCREW M6	1	
133	322948	WASHER M7	2	
*137	323985	STOP PLATE	1	TILL 4.2019 FOR EUROPE
138	949454	SPRING WASHER M5 (10 PCS.)	1	
139	949215	MACHINE SCREW M4X8 (10 PCS.)	3	
140	949429	BOLT WASHER M4 (10 PCS.)	3	
*141B	336356	PROTECTIVE COVER	1	SINCE 10.2012 FOR EUROPE
*142A	336357	LINK (A) ASS'Y	1	INCLUD.137,144,147-149 SINCE 10.2012 TILL 4.2019 FOR EUROPE
*142B	375674	LINK (A)	1	SINCE 5.2019 FOR EUROPE

\* ALTERNATIVE PARTS

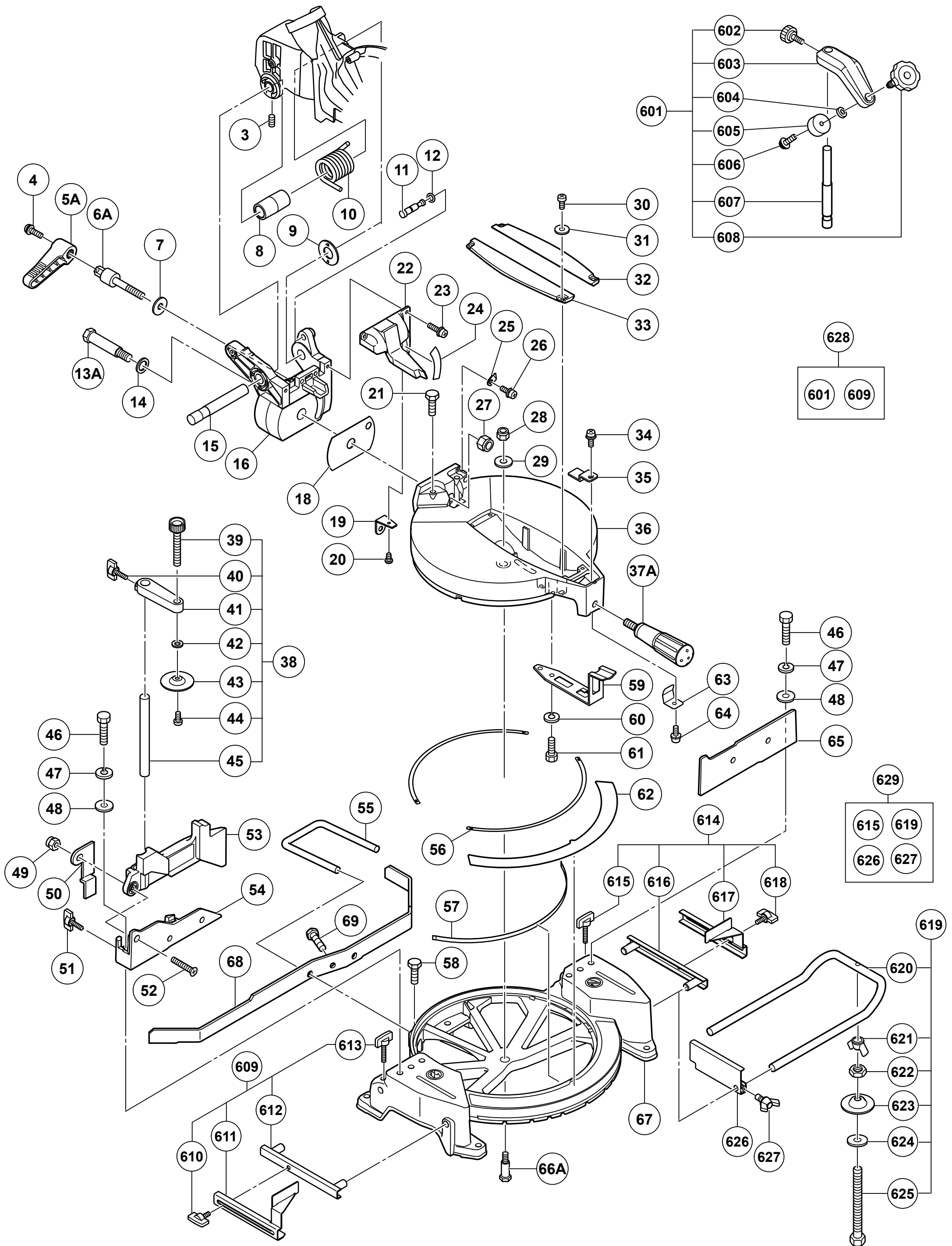
# HIKOKI

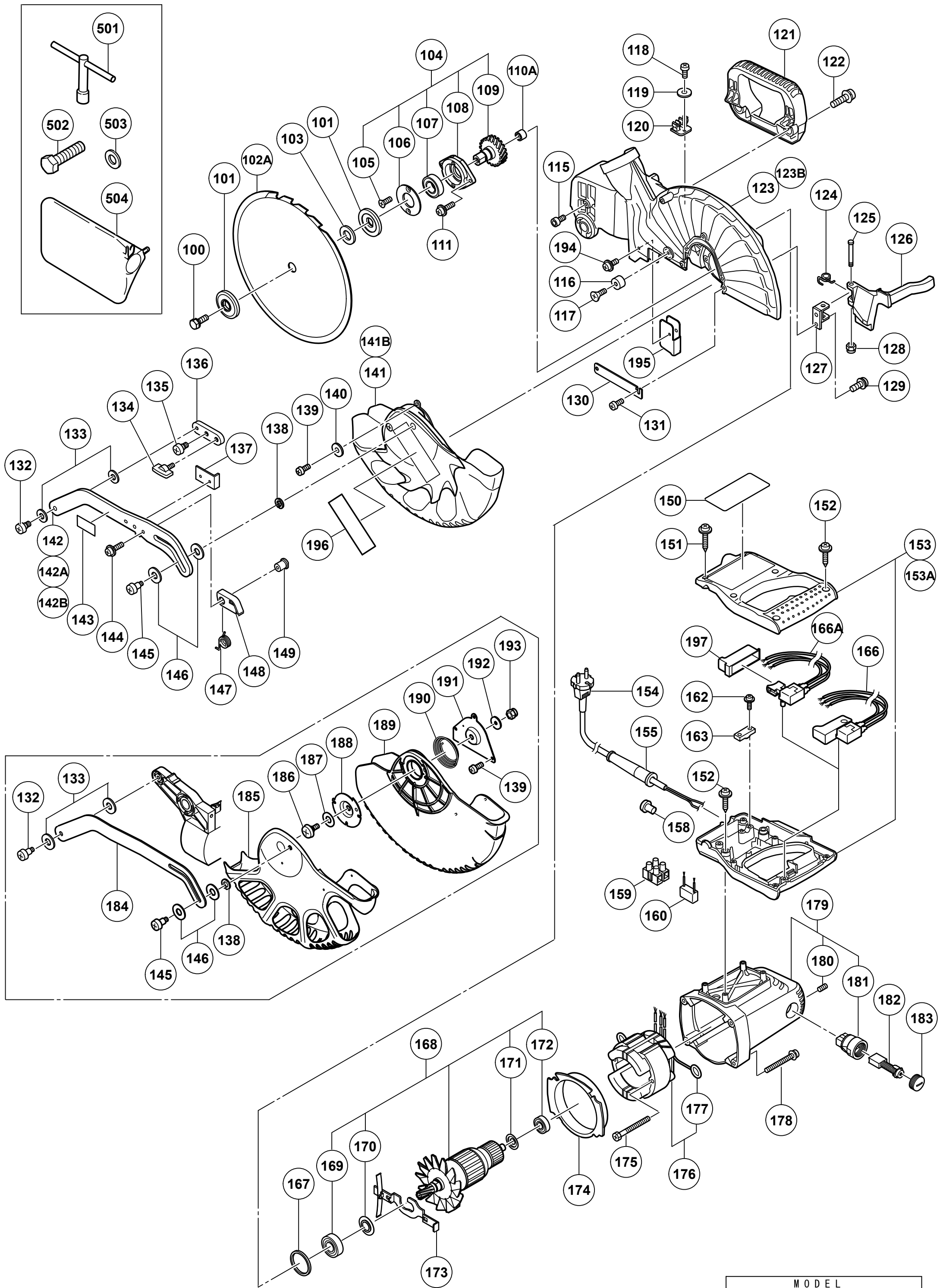
## MITER SAW C10FCE2

Item No.	Code No.	Description	No. Used	Remarks
*143		CAUTION LABEL(F)	1	
*144	935196	MACHINE SCREW (W/WASHERS) M4X12 (BLACK)	3	TILL 4.2019 FOR EUROPE
145	322947	SPECIAL SCREW (C) M5	1	
146	322938	WASHER M10	2	
*147	323984	RETURN SPRING (A)	1	TILL 4.2019 FOR EUROPE
*148	323989	RETURN PLATE	1	TILL 4.2019 FOR EUROPE
*149	323988	RETURN SHAFT	1	TILL 4.2019 FOR EUROPE
150		NAME PLATE	1	
151	307028	TAPPING SCREW (W/FLANGE) D4X25 (BLACK)	2	
152	301653	TAPPING SCREW (W/FLANGE) D4X20 (BLACK)	6	
*153	326703	SWITCH HANDLE	1	EXCEPT FOR EUROPE(TILL 4.2019 FOR EUROPE
*153A	375673	SWITCH HANDLE	1	SINCE 5.2019 FOR EUROPE
*154	500234Z	CORD	1	
155	940778	CORD ARMOR D10.7	1	
*159	958308Z	PILLAR TERMINAL (A)	1	EXCEPT FOR USA,CAN,EUROPE (TILL 4.2019 FOR EUROPE)
*160	326709	NOISE SUPPRESSOR	1	FOR AUS.AUT,EUROPE,INA,GBR (230V),TUR
162	984750	TAPPING SCREW (W/FLANGE) D4X16	2	
163	937631	CORD CLIP	1	
*166	326700	SWITCH (3P FASTON TYPE) W/O LOCK	1	EXCEPT FOR EUROPE,USA,CAN (TILL 4.2019 FOR EUROPE)
*166A	375672	SWITCH (3P FASTON TYPE) W/O LOCK	1	SINCE 5.2019 FOR EUROPE
167	303792	RUBBER RING	1	
*168	360695E	ARMATURE ASS'Y 220V-230V	1	INCLUD.169-172
169	6202VV	BALL BEARING 6202VVCMP2L	1	
170	980700	DUST WASHER (B)	1	
171	302428	WASHER (A)	1	
172	6000VV	BALL BEARING 6000VVCMP2L	1	
173	322916	LOCK LEVER	1	
174	322915	FAN GUIDE	1	
175	953121	HEX. HD. TAPPING SCREW D5X50	2	
*176	340687E	STATOR ASS'Y (B) 220V-230V	1	INCLUD.177
177	937623	BRUSH TERMINAL	2	
178	322123	MACHINE SCREW (W/WASHERS) M5X40 (BLACK)	4	
179	322914	HOUSING ASS'Y	1	INCLUD.180,181
180	938477	HEX. SOCKET SET SCREW M5X8	2	
181	938241	BRUSH HOLDER	2	
*182	999065	CARBON BRUSH (1 PAIR)	2	FOR 220V-240V
183	945161	BRUSH CAP	2	
*194	304043	MACHINE SCREW (W/WASHERS) M4X10 (BLACK)	1	SINCE 10.2012 TILL 4.2019 FOR EUROPE
*195	336358	GUARD	1	SINCE 10.2012 TILL 4.2019 FOR EUROPE
196		BRAND LABEL	1	
*197	375116	TRIGGER	1	SINCE 5.2019 FOR EUROPE
		STANDARD ACCESSORIES		
501	940543	BOX WRENCH 10MM	1	
502	949695	BOLT M10X35 (10 PCS.)	1	
*504	322955	DUST BAG (BLACK)	1	
		OPTIONAL ACCESSORIES		
601	322957	WISE (B) ASS'Y	1	INCLUD.602-608
602	998836	KNOB BOLT M6X11	1	
603		SCREW HOLDER (B)	1	
604	306985	WASHER (H)	1	
605	964851	BASE RUBBER	1	

\* ALTERNATIVE PARTS







MODEL  
C10FCE2(2/2)