

# HIKOKI

## ROUTER

Item No.	Code No.	Description	No. Used	Remarks
1A		BRAND LABEL (B) BLACK	1	
2	305490	TAPPING SCREW (W/FLANGE) D4X30 (BLACK)	2	
3	325168	HEAD COVER	1	
4		BRAND LABEL (A)	1	
*5	325200	CONTROLLER CIRCUIT (C) DIAL SET 100-120V	1	INCLUD.98
*5	325368	CONTROLLER CIRCUIT (A) DIAL SET 230V	1	INCLUD.98
*5	325218	CONTROLLER CIRCUIT (A) DIAL SET 230-240V	1	INCLUD.98 FOR SIN,KUW,NZL,AUS,SAF
*5	328664	CONTROLLER CIRCUIT (C) DIAL SET 127V	1	INCLUD.98
6	301797	MAGNET	1	
7	954017	TAPPING SCREW D4X12	2	
8	325169	BEARING BUSHING	1	
9	325184	RUBBER RING	1	
10	6200VV	BALL BEARING 6200VVCMP2L	1	
11	959141	CONNECTOR 50092 (10 PCS.)	1	
12	961820	TUBE (D)	1	
*13	953327	CORD ARMOR D8.8	1	
*13	938051	CORD ARMOR D10.1	1	
14	984750	TAPPING SCREW (W/FLANGE) D4X16	4	
15	937631	CORD CLIP	1	
*16	981373	TUBE (D)	2	
*16	961820	TUBE (D)	2	FOR USA,CAN,MEX
17	325203	CORD HOLDER	1	
18	302086	TAPPING SCREW (W/FLANGE) D4X20 (BLACK)	1	
19	325170	FRONT COVER (B)	1	
20	325198	MARKER	1	
21	305812	TAPPING SCREW (W/FLANGE) D4X16 (BLACK)	10	
22	325197	POLE HOLDER	1	
23	325219	HOUSING ASS'Y	1	INCLUD.31,32
24	325196	STOPPER POLE (A)	1	
25	958032	BRUSH TERMINAL	2	
*26	340659C	STATOR ASS'Y 120V	1	INCLUD.25
*26	340659G	STATOR ASS'Y 230V	1	INCLUD.25
*26	340659E	STATOR ASS'Y 230V	1	INCLUD.25 FOR SIN,SAF
*26	340659F	STATOR ASS'Y 240V	1	INCLUD.25
*26	340659H	STATOR ASS'Y 240V	1	INCLUD.25 FOR AUS
27	961400	HEX. HD. TAPPING SCREW D5X70	2	
*28	360748U	ARMATURE ASS'Y 110V-120V	1	INCLUD.10,69
28A	360748F	ARMATURE 230V-240V	1	
29	325960	LEVER	1	
30	301821	SWITCH (2P PILLAR TYPE) W/O LOCK	1	
31	938477	HEX. SOCKET SET SCREW M5X8	2	
32	980487	BRUSH HOLDER	2	
33	999044	CARBON BRUSH (1 PAIR)	2	
34	940540	BRUSH CAP	2	
35		NAME PLATE	1	
*36	500234Z	CORD	1	(CORD ARMOR D8.8)
*36	500247Z	CORD	1	(CORD ARMOR D10.1) FOR FIN,NOR,SWE,DEN,AUT
*36	500247Z			
*36	500423Z	CORD	1	(CORD ARMOR D8.8) FOR SIN,KUW
*36	500439Z	CORD	1	(CORD ARMOR D8.8) FOR NZL,AUS
*36	500242Z	CORD	1	(CORD ARMOR D10.1) FOR USA,CAN,MEX
*36	500248Z	CORD	1	(CORD ARMOR D10.1) FOR SUI
*36	500435Z	CORD	1	(CORD ARMOR D8.8) FOR GBR (230V)

\* ALTERNATIVE PARTS

# HIKOKI

## ROUTER

Item No.	Code No.	Description	No. Used	Remarks
*36	500396Z	CORD	1	(CORD ARMOR D10.1) FOR GBR (110V)
37	307443	MACHINE SCREW (W/WASHERS) M6X30 (BLACK)	2	
38	325220	HANDLE (L) B	1	
39	325171	HANDLE (L) A	1	
40	325180	SPRING GUIDE	2	
41	325177	PLUNGE SPRING (R)	1	
42	325214	KNOB (B) ASS'Y	1	INCLUD.43
43	872654	O-RING (1AP-10)	2	
44	935196	MACHINE SCREW (W/WASHERS) M4X12 (BLACK)	8	
45	984509	SEAL LOCK HEX. SOCKET HD. BOLT M5X14	1	
46A	325194	KNOB (C)	1	
47	325195	GUIDE SLEEVE	1	
48	325176	PLUNGE SPRING (L)	1	
49	301801	WING BOLT M6X27	1	
52	325173	FRONT COVER (C)	1	
*53	325205	END BRACKET	1	
*53	326043	END BRACKET	1	FOR USA,CAN,MEX
54	325193	SPRING	1	
55	325192	SPECIAL NUT TR12	1	
56	325191	SPECIAL BOLT M20	1	
57	949811	HEX. SOCKET HD. BOLT M4X8 (10 PCS.)	1	
58	325190	LEVER (B)	1	
59	985033	HEX. SOCKET SET SCREW M6X6	1	
60	971848	LOCK PIECE	1	
61	325187	LOCK SCREW M10	1	
*62	326042	LEVER (A)	1	FOR AUS
62A	323923	LEVER (A)	1	
63	997314	MACHINE SCREW (W/WASHERS) M6X10	1	
64	325172	HANDLE (R) A	1	
66	325202	CORD (A)	1	
67	325962	HANDLE (R) B	1	
68	307100	TAPPING SCREW D5X50	4	
69	6004VV	BALL BEARING 6004VVCMP2L	1	
70	325186	THRUST NUT	1	
71	325185	BEARING COVER	1	
72	325183	LOCK SPRING (A)	1	
73	325182	PUSHING BUTTON	1	
*74B	325199	COLLET CHUCK 12MM	1	
*74B	323421	COLLET CHUCK 1/2"	1	FOR NZL ,AUS,GBR,SAF,USA,CAN,MEX
75	325207	BELLOWS (A)	2	
76	325189	SPECIAL BOLT TR12	1	
77	325188	WASHER	2	
78	325210	DUST GUIDE	1	
79A	339381	DUST GUIDE ADAPTER	1	
80	949662	HEX. SOCKET HD. BOLT M5X25 (10 PCS.)	1	
81	302012	NUT M5 (BLACK)	2	
82	325181	STOPPER BLOCK	1	
83	317200	MACHINE SCREW (W/WASHERS) M4X8 (BLACK)	1	
84	962569	WASHER (B)	1	
85	971858	SPRING (A)	1	
86	949765	HEX. SOCKET HD. BOLT M5X12 (10 PCS.)	1	
87	325178	STOPPER BOLT	2	
88	949558	NUT M8 (10 PCS.)	1	

\* ALTERNATIVE PARTS

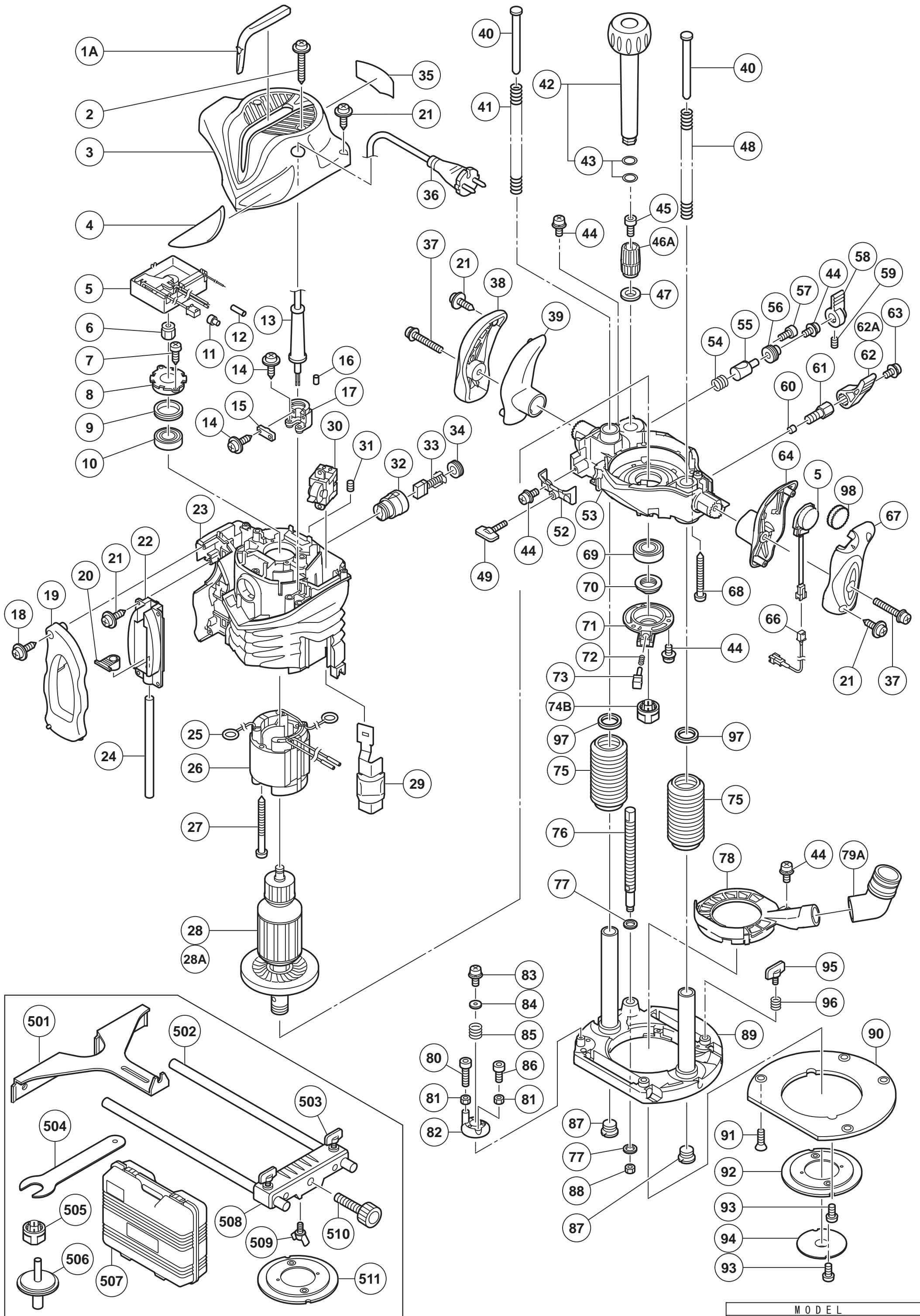
# HIKOKI

## ROUTER

Item No.	Code No.	Description	No. Used	Remarks
*89	325342	BASE	1	
*89	325206	BASE	1	FOR USA, CAN, MEX
90	325179	SUB BASE	1	
91	992013	SEAL LOCK FLAT HD. SCREW M5X14	4	
92	325211	TEMPLATE GUIDE ADAPTER	1	
93	949234	MACHINE SCREW M5X6 (10 PCS.)	4	
94	956790	TEMPLATE GUIDE D18	1	
95	301806	WING BOLT M6X15	2	
96	947859	LOCK SPRING	2	
97	323426	FELT	2	FOR USA, CAN, MEX
98	371931	DIAL	1	
		STANDARD ACCESSORIES		
501	956797	STRAIGHT GUIDE	1	
502	325216	GUIDE BAR (A)	2	
503	301806	WING BOLT M6X15	2	
504	323295	WRENCH 23MM	1	
*505	325212	COLLET CHUCK 8MM	1	
*505	323293	COLLET CHUCK 1/4"	1	FOR NZL, AUS, GBR, SAF, USA, CAN, MEX
*506	325213	CENTERING GAUGE	1	
*506	325223	CENTERING GAUGE	1	FOR NZL, AUS, GBR, SAF, USA, CAN, MEX
507	325222	CASE	1	EXCEPT FOR USA, CAN, RUS
508	325217	BAR HOLDER	1	
509	949394	WING BOLT M6X10 (10 PCS.)	1	
510	956793	FEED SCREW	1	
511	325224	TEMPLATE GUIDE ADAPTER	1	FOR USA, CAN, MEX
		OPTIONAL ACCESSORIES		
601	313765	STRAIGHT BIT (TCT) D1/2"X1/2"	1	FOR NZL, AUS, GBR, SAF, USA, CAN, MEX
602	307801	COLLET CHUCK 1/2"	1	EXCEPT FOR NZL, AUS, GBR, SAF, USA, CAN
603	323293	COLLET CHUCK 1/4"	1	EXCEPT FOR NZL, AUS, GBR, SAF, USA, CAN
604	325369	TEMPLATE GUIDE ADAPTER	1	FOR NZL, AUS, GBR, SAF
605	323298	TEMPLATE GUIDE D7.9	1	FOR USA, CAN, MEX
606	323299	TEMPLATE GUIDE D9.5	1	FOR USA, CAN, MEX
607	323300	TEMPLATE GUIDE D11.1	1	FOR USA, CAN, MEX
608	323301	TEMPLATE GUIDE D12.7	1	FOR USA, CAN, MEX
609	323302	TEMPLATE GUIDE D15.9	1	FOR USA, CAN, MEX
610	323303	TEMPLATE GUIDE D19.1	1	FOR USA, CAN, MEX
611	323304	TEMPLATE GUIDE D20.2	1	FOR USA, CAN, MEX
612	323305	LOCK NUT	1	FOR USA, CAN, MEX
613	956794	TRIMMER GUIDE	1	
614	956803	DOUBLE FLUSH TRIMMING BIT (TCT) D12X12	1	
615	956802	DOUBLE FLUSH TRIMMING BIT (TCT) D8X8	1	
616	956801	DOUBLE FLUSH TRIMMING BIT (TCT) D6X6	1	
617	956806	FLUSH TRIMMING BIT (TCT) D12X12	1	
618	956805	FLUSH TRIMMING BIT (TCT) D8X8	1	
619	956804	FLUSH TRIMMING BIT (TCT) D6X6	1	
620	956810	STRAIGHT BIT (TCT) D12X12	1	
621	956809	STRAIGHT BIT (TCT) D12X10	1	
622	312273	STRAIGHT BIT (TCT) D6X6	1	
623	956813	ROUND OVER BIT (TCT) D12XR8X24	1	
624	956812	ROUND OVER BIT (TCT) D12XR6X20	1	
625	956811	ROUND OVER BIT (TCT) D12XR4.5X19	1	
626	956814	CHAMFERING BIT (TCT) 45° D6X20	1	
627	956816	DOVETAIL BIT (TCT) D8X15	1	

\* ALTERNATIVE PARTS





MODEL  
M12V2