

HIKOKI

CIRCULAR SAW C7SS

Item No.	Code No.	Description	No. Used	Remarks
1	963803	METAL	1	
*2	331705	SPINDLE AND GEAR SET	1	FOR CHI ,PAN,MEX
*2A	373459	SPINDLE AND GEAR SET	1	
3	308361	BEARING HOLDER	1	
4	305568	SEAL LOCK FLAT HD. SCREW M5X12	2	
5	331273	LOWER GUARD	1	
6	331268	RETURN SPRING	1	
7	6002VV	BALL BEARING 6002VVCMP2L	1	
8	308362	BEARING COVER	1	
9	308773	SEAL LOCK FLAT HD. SCREW M3X12	3	
*10	323928	WASHER (A)	1	
*10	322099	WASHER (A)	1	FOR NZL ,AUS,CHN,VEN,TPE,THA,INA,SIN, HKG,KUW,IND (TILL 8.2017 FOR TPE)
*10	317466	WASHER (A1)	1	FOR CHI ,PAN,MEX
*10	334710	WASHER (A)	1	FOR KOR
*10A	373052	WASHER (A)	1	SINCE 9.2017 FOR TPE
*11	324668	TCT SAW BLADE 190MM-D30 HOLE-NT18	1	
*11	330888	TCT SAW BLADE 190MM-D20 HOLE-NT18	1	FOR NZL ,AUS,CHN,VEN,TPE,THA,INA,SIN, HKG,KUW,IND (TILL 8.2017 FOR TPE)
*11	331659	TCT SAW BLADE 190MM-D15.9 HOLE-NT18	1	FOR CHI ,PAN,MEX
*11A	371934	TCT SAW BLADE 190MM-D19 HOLE-NT60	1	FOR KOR
*11A	372881	TCT SAW BLADE 190MM-D25.4 HOLE-NT40	1	SINCE 9.2017 FOR TPE
*12	990100	RING D15.9/I.D14.5	1	FOR CHI ,PAN,MEX
*13	324563	WASHER (B2)	1	FOR CHI ,PAN,MEX
*13A	375604	WASHER (B)	1	
14	325541	HEX. SOCKET HD. BOLT (W/WASHER) M7X17.5	1	
15	302434	MACHINE SCREW (W/WASHERS) M5X45 (BLACK)	3	
16	328643	TAPPING SCREW (W/FLANGE) D4X23 (BLACK)	3	
17		NAME PLATE	1	
18	931701	BEARING LOCK	2	
19	331264	THRUST WASHER	1	
20	608VVM	BALL BEARING 608VVC2PS2L	1	
21	982631	WASHER (A)	1	
22	322002	FAN GUIDE	1	
*23	360883C	ARMATURE 110V	1	
*23	360883D	ARMATURE 120V	1	
*23	360883E	ARMATURE 220V-230V	1	
*23	360883F	ARMATURE 240V	1	
*24	887021	SCREW (W/WASHERS) M5X16 (BLACK)	3	EXCEPT FOR VEN,TPE,THA,INA,SIN,HKG,KUW, IND
*25	330973	SIDE HANDLE	1	EXCEPT FOR VEN,TPE,THA,INA,SIN,HKG,KUW, IND
26	331272	GEAR COVER ASS'Y	1	INCLUD. 45-47
27		BRAND LABEL	1	
28	942808	BOLT (SQUARE) M6X20	1	
29	938477	HEX. SOCKET SET SCREW M5X8	2	
30	331260	HOUSING ASS'Y	1	INCLUD. 29, 32
*31	500409Z	CORD	1	(CORD ARMOR D8.8)
*31	500435Z	CORD	1	(CORD ARMOR D8.8) FOR HKG,SIN,GBR (230V)
*31	500461Z	CORD	1	(CORD ARMOR D8.8) FOR GBR (110V)
*31	500247Z	CORD	1	(CORD ARMOR D8.8) FOR FIN,NOR,SWE,DEN
*31	500447Z	CORD	1	(CORD ARMOR D8.8) FOR SUI,CHI
*31	500439Z	CORD	1	(CORD ARMOR D8.8) FOR NZL,AUS

* ALTERNATIVE PARTS

HIKOKI

CIRCULAR SAW C7SS

Item No.	Code No.	Description	No. Used	Remarks
*31	500455Z	CORD	1	(CORD ARMOR D8.8) FOR VEN
*31	500468Z	CORD	1	(CORD ARMOR D8.8) FOR THA, CHN
*31	500240Z	CORD	1	(CORD ARMRO D8.8) FOR MEX, PAN (120V)
*31	323974	CORD	1	(CORD ARMOR D10.1) FOR TPE
*31	500487Z	CORD	1	(CORD ARMRO D8.8) FOR BRA
*31	500504Z	CORD	1	(CORD ARMRO D8.8) FOR KOR
32	957051	BRUSH HOLDER	2	
33	999043	CARBON BRUSH (1 PAIR)	2	
34	935829	BRUSH CAP	2	
*35	959140	CONNECTOR 50091 (10 PCS.)	1	FOR VEN, THA, INA, IND, PAN, SIN, HKG, KUW, MEX CHI
*36	953327	CORD ARMOR D8.8	1	
*36	938051	CORD ARMOR D10.1	1	
37	331707	FASTON	1	
*38	340614C	STATOR ASS'Y 110V	1	INCLUD.39
*38	340756C	STATOR ASS'Y 110V	1	INCLUD.39 FOR VEN
*38	340756D	STATOR ASS'Y 120V	1	INCLUD.39
*38	340614E	STATOR ASS'Y 230V	1	INCLUD.39
*38	340756E	STATOR ASS'Y 220V-230V	1	INCLUD.39 FOR THA, INA, SIN, HKG, CHI, IND, PAN (220V)
*38	340614F	STATOR ASS'Y 240V	1	INCLUD.39
*38	340756F	STATOR ASS'Y 240V	1	INCLUD.39 FOR KUW
39	930703	BRUSH TERMINAL	2	
40	937631	CORD CLIP	1	
41	984750	TAPPING SCREW (W/FLANGE) D4X16	2	
42	953174	HEX. HD. TAPPING SCREW D5X55	2	
43	307918	LOCK LEVER	1	
44	6000VV	BALL BEARING 6000VVCMP2L	1	
45	318647	RUBBER RING	1	
46	961729	CUSHION	1	
47	949794	FLAT HD. SCREW M6X20 (10 PCS.)	1	
*51	331269	INTERNAL WIRE	1	EXCEPT FOR VEN, PAN, CHI, THA, INA, SIN, HKG, KUW, MEX, IND
*52	331259	SWITCH	1	
*52	337724	SWITCH	1	FOR ASIA
53	331261	HANDLE COVER	1	
54	307898	WING BOLT M6X18	1	
55	941056	SPRING	1	
*56	307937	WING BOLT (A)	1	
*56	308364	WING BOLT (A) M6X15	1	FOR VEN, TPE, PAN, CHI, THA, INA, SIN, HKG, KUW, MEX, IND
57	948167	SUPER LOCK WASHER M6	1	
58	949750	ROLL PIN D6X50 (10 PCS.)	1	
*59	930039	NOISE SUPPRESSOR	1	EXCEPT FOR VEN, PAN, CHI, THA, INA, SIN, HKG, KUW, MEX, IND
*60	959141	CONNECTOR 50092 (10 PCS.)	2	FOR NOISE SUPPRESSOR HKG, KUW, MEX, IND
*61	308109	SLOTTED HD. SET SCREW (SEAL LOCK) M6X8	1	EXCEPT FOR VEN, TPE, PAN, CHI, THA, INA, SIN,
62	322260	SEAL LOCK SCREW (W/SP. WASHERS) M6X14	1	
63	323923	LEVER (A)	1	
65	328048	LOCK NUT	1	TILL 10.2009
65A	331267	LOCK NUT	1	SINCE 11.2009
67	329933	WASHER (C)	1	TILL 10.2009

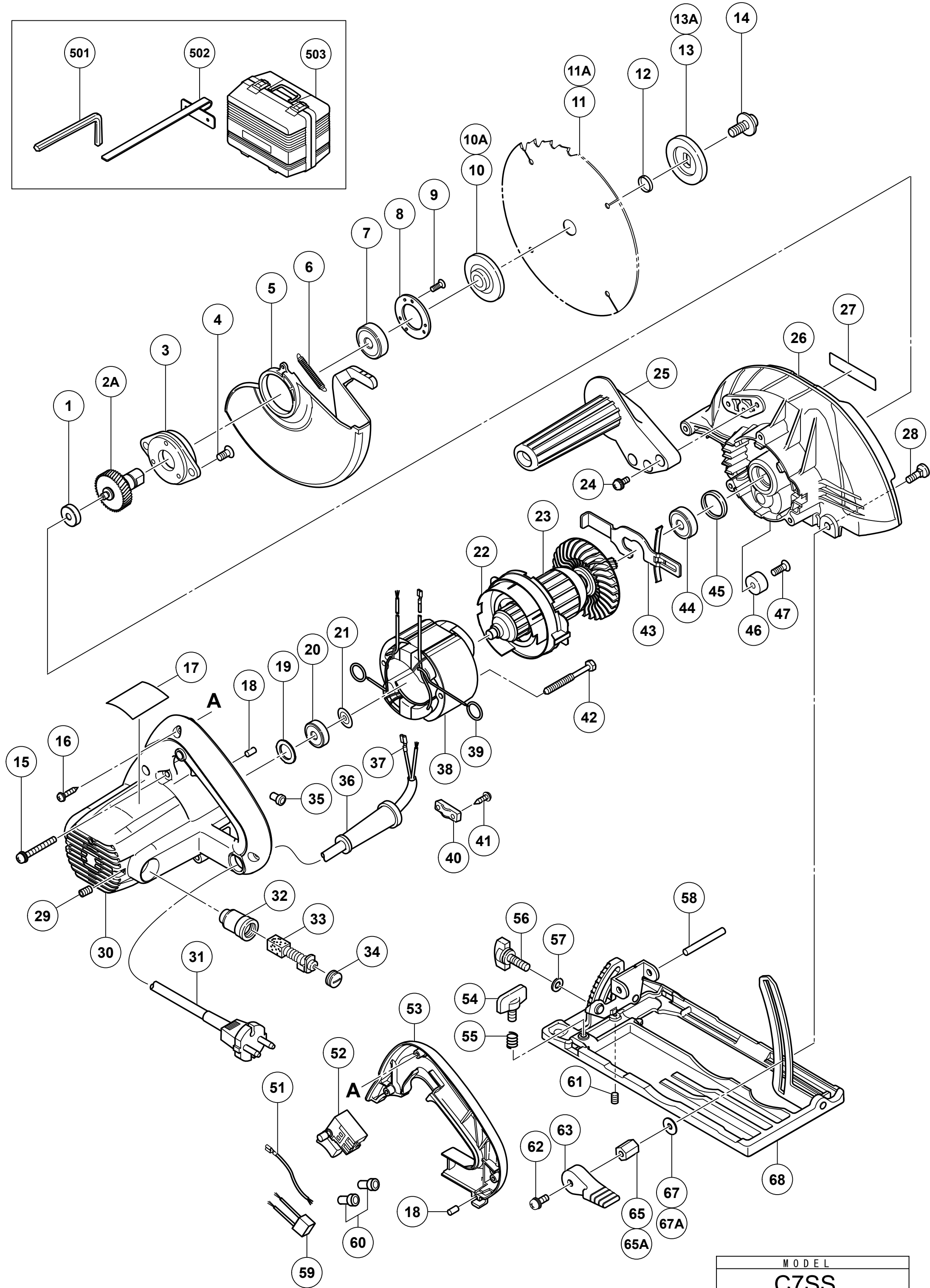
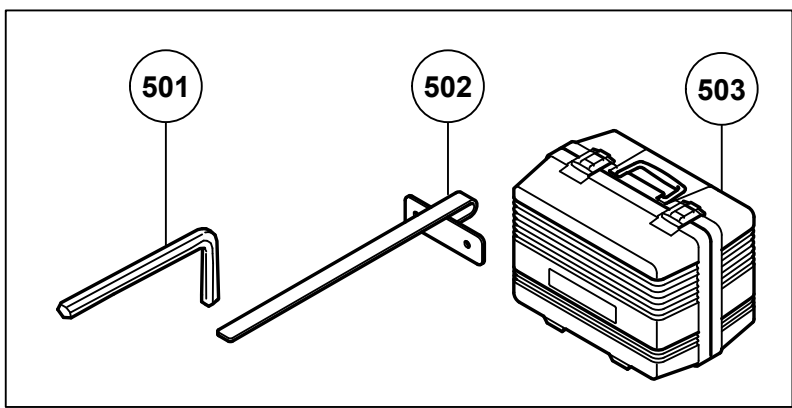
* ALTERNATIVE PARTS

HIKOKI

CIRCULAR SAW C7SS

Item No.	Code No.	Description	No. Used	Remarks
67A	320975	WASHER	1	SINCE 11.2009
				SIN, HKG, KUW, MEX, IND
*68	331270	BASE ASS'Y	1	INCLUD.54-57,61
*68	331271	BASE ASS'Y	1	INCLUD.54-57 FOR VEN, TPE, PAN, CHI, THA, INA
		STANDARD ACCESSORIES		
501	944459	HEX. BAR WRENCH 5MM	1	
502	302756	GUIDE	1	
*503	331671	CASE	1	FOR GBR
		OPTIONAL ACCESSORIES		
601	302981	DUST COLLECTOR SET (D)	1	
602	322099	WASHER (A)	1	

* ALTERNATIVE PARTS



MODEL
C7SS