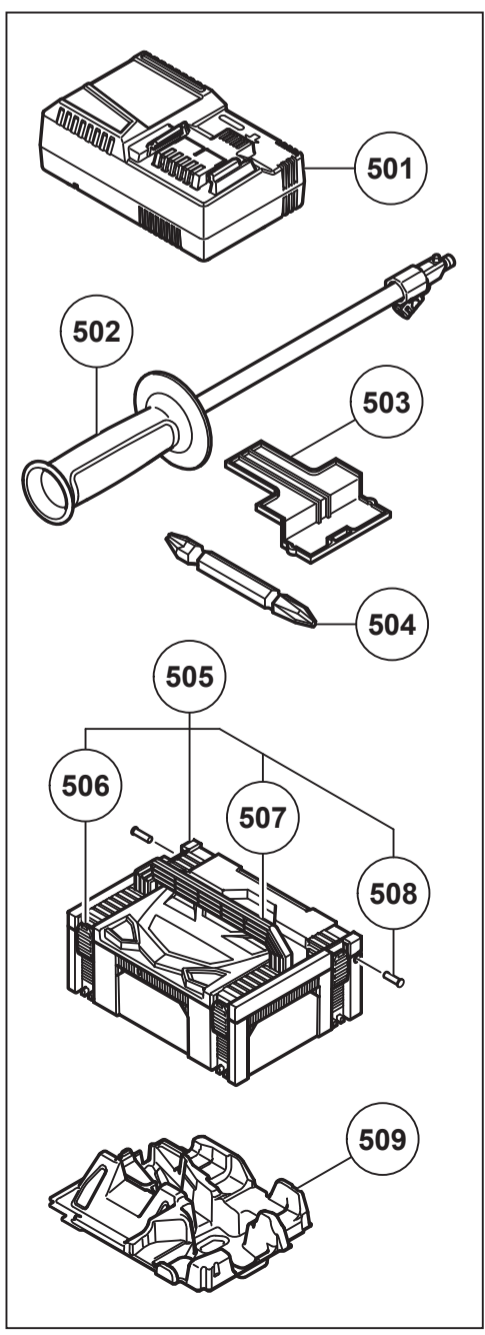
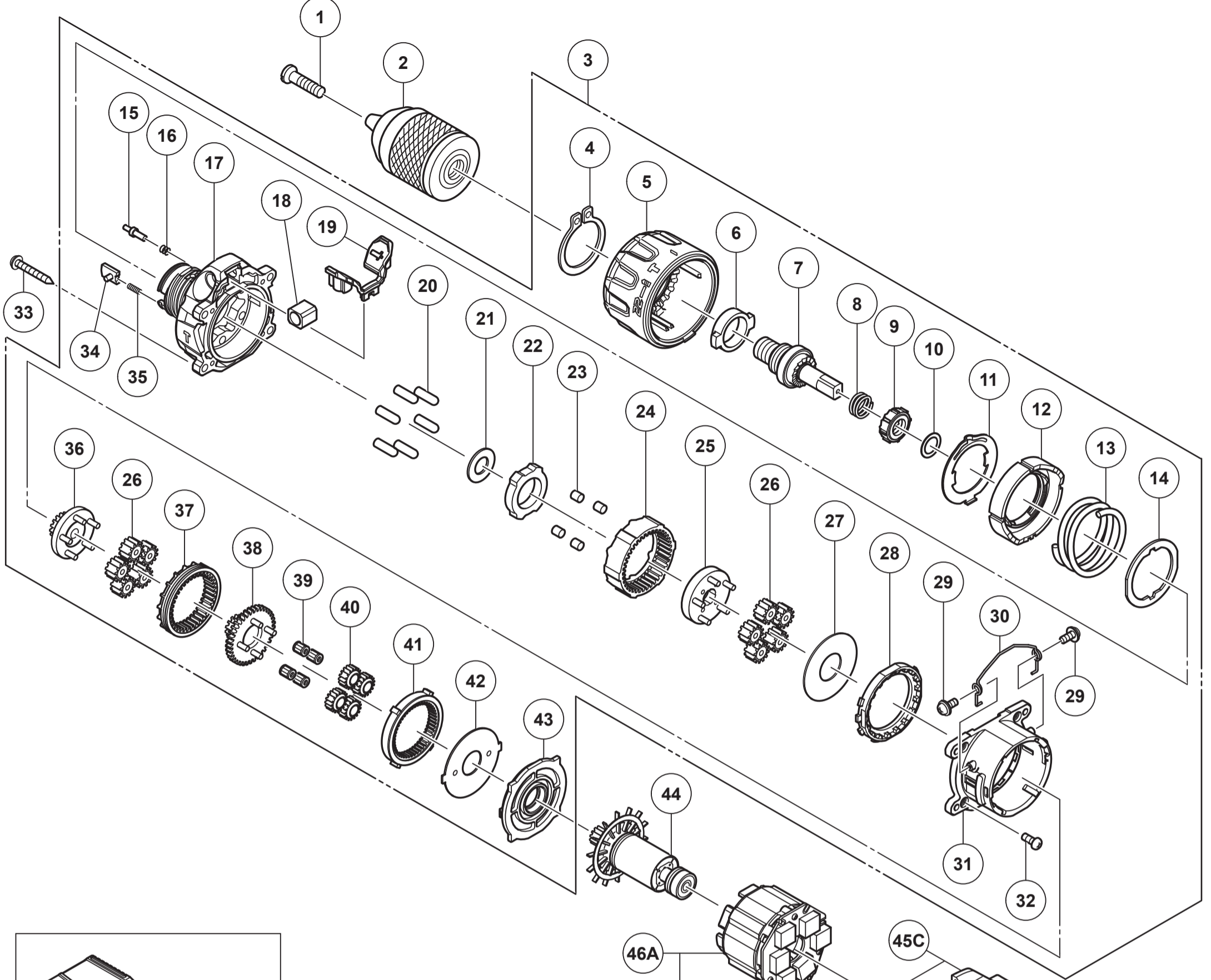


HIKOKI

CORDLESS DRIVER DRILL DV36DAX

Item No.	Code No.	Description	No. Used	Remarks
1	370909	SEAL LOCK FLAT HD.SCREW(LEFT HAND) M6X25	1	
2	339723	DRILL CHUCK 13VLRV-N (W/O CHUCK WRENCH)	1	
3	372221	GEAR BOX ASS'Y	1	INCLUD. 4-32, 34-43
4	339736	RETAINING RING FOR D30 SHAFT	1	
5	339739	CLUTCH DIAL	1	
6	339741	METAL	1	
7	339742	SPINDLE	1	
8	327136	SPRING (C)	1	
9	339772	RATCHET (B)	1	
10	327147	WASHER (A)	1	
11	339744	CLICK SPRING	1	
12	339745	NUT	1	
13	339746	SPRING	1	
14	339747	THRUST PLATE	1	
15	339748	STOPPER	2	
16	331886	STOPPER SPRING	2	
17	372223	FRONT CASE	1	
18	371796	SLEEVE NUT M8	1	
19	371795	SLEEVE CAP	1	
20	333539	PIN SET (6 PCS.)	6	
21	328717	WASHER (B)	1	
22	339752	LOCK RING	1	
23	319744	ROLLER	4	
24	339753	RING GEAR	1	
25	339754	CARRIER	1	
26	339774	PLANET GEAR (B) SET (5 PCS.)	10	
27	331892	WASHER (A)	1	
28	372226	SHIFT DOG	1	
29	331895	SCREW SET D2 (2 PCS.)	2	
30	339755	SHIFT ARM	1	
31	372225	REAR CASE	1	
32	320087	SCREW SET M3X12 (4 PCS.)	4	
33	305490	TAPPING SCREW (W/FLANGE) D4X30 (BLACK)	4	
34	339773	SLIP BLOCK	2	
35	327133	STOPPER SPRING	2	
36	339757	PINION (C)	1	
37	339758	SLIDE RING GEAR	1	
38	339759	PINION (B)	1	
39	331926	NEEDLE BEARING SET (4 PCS.)	4	
40	334441	PLANET GEAR (A) SET (4 PCS.)	4	
41	339760	FIRST RING GEAR	1	
42	339761	WASHER (B)	1	
43	339762	MOTOR SPACER	1	
44	361070	ROTOR PINION SET	1	
45C	378276	HOUSING (A).(B) SET	1	
46A	378338	WIRING ASS'Y	1	INCLUD. 52, 53A
47	327001	TRUSS HD. SCREW M4 (BLACK)	1	
48	372229	HOOK	1	
49	334267	SHIFT KNOB	1	
50	327002	LOCK NUT M4 (BLACK)	2	
51	306952	STRAP (BLACK)	1	
52	370151	DC-SPEED CONTROL SWITCH	1	
53	372228	BATTERY TERMINAL	1	

* ALTERNATIVE PARTS



MODEL
DV36DAX