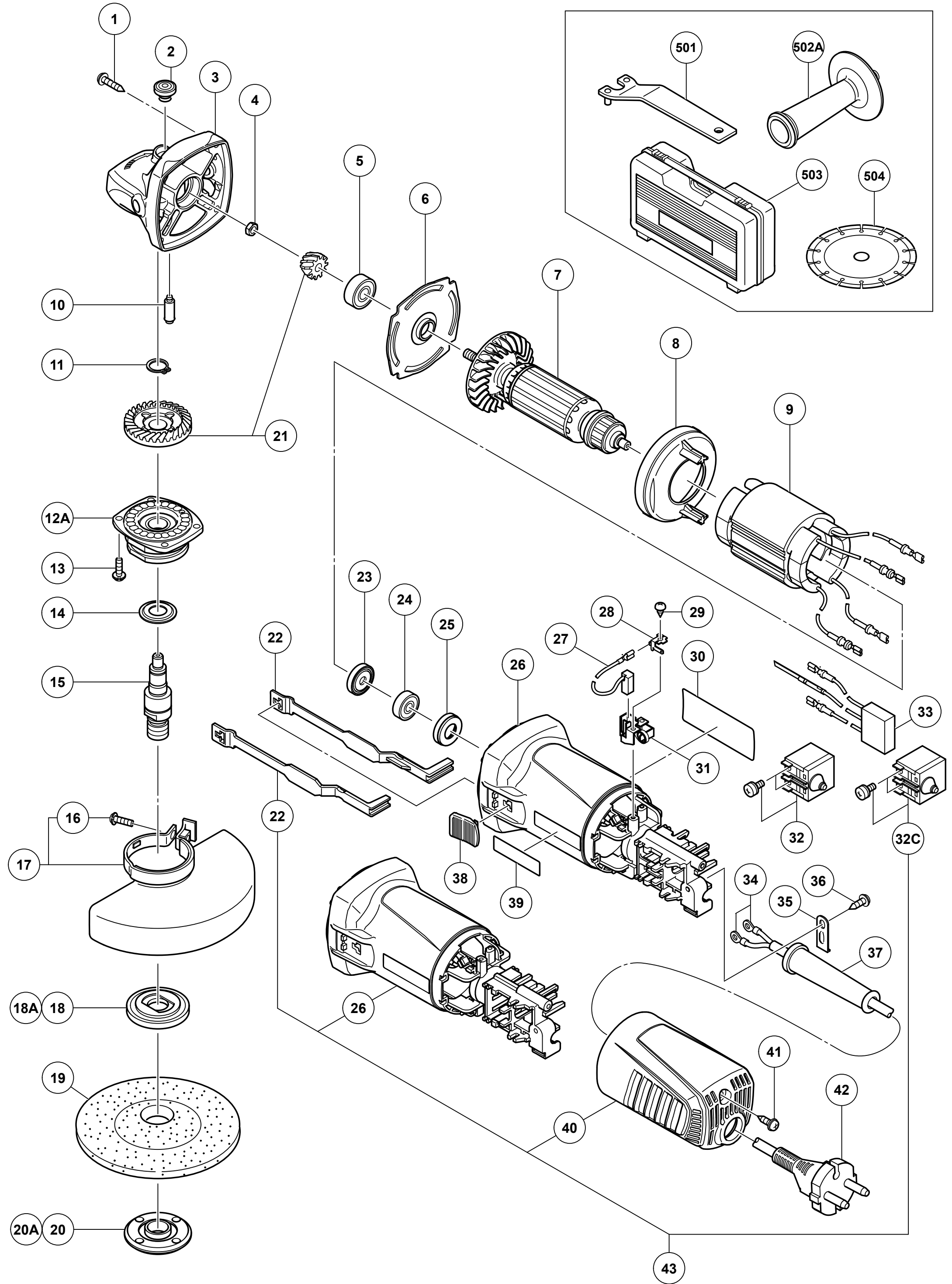


HIKOKI

DISC GRINDER G12SR4

Item No.	Code No.	Description	No. Used	Remarks
1	328643	TAPPING SCREW (W/FLANGE) D4X23 (BLACK)	4	
2	301944	PUSHING BUTTON	1	
3	339146	GEAR COVER ASS'Y	1	INCLUD.2,10
4	309191	SPECIAL NUT M6	1	
5	338337	BALL BEARING 608SS	1	
6	338850	BEARING HOLDER	1	
*7	361016C	ARMATURE 110V	1	
*7	361016E	ARMATURE 220V-240V	1	
8	338853	FAN GUIDE	1	
*9	340016C	STATOR 110V-127V	1	
*9	340016E	STATOR 220V-230V	1	
10	301943	LOCK PIN	1	
11	316487	RETAINING RING FOR D11 SHAFT	1	
12A	338849	PACKING GLAND	1	
13	328628	SEAL LOCK SCREW (W/WASHER) M4X12	4	
14	328185	WASHER (A)	1	
*15	330700	SPINDLE	1	
16	308386	MACHINE SCREW (W/SP. WASHER) M5X16(BLACK)	1	
17	338848	WHEEL GUARD ASS'Y	1	INCLUD.16
*18A	376067	WHEEL WASHER	1	
*20A	339579	WHEEL NUT M14	1	
21	339265	GEAR AND PINION SET	1	
*22	338855	SLIDE BAR	1	EXCEPT FOR MODEL(S) SINCE 6.2020 FOR MODEL(S)
*22	370023	SLIDE BAR	1	TILL 5.2020 FOR MODEL(S)
23	321722	DUST SEAL	1	
24	339145	BALL BEARING 626ZZ	1	
25	309929	RUBBER BUSHING	1	
*26	339140	HOUSING	1	EXCEPT FOR MODEL(S) SINCE 6.2020 FOR MODEL(S)
*26	370018	HOUSING	1	TILL 5.2020 FOR MODEL(S)
27	999067	CARBON BRUSH 6.5X7.5X14 (1 PAIR)	2	
28	339185	TAB TERMINAL	2	
29	328210	TAPPING SCREW D3X8	4	
30		NAME PLATE	1	
31	333844	BRUSH HOLDER	2	
*32	339149	PUSHING BUTTON SWITCH	1	
*32C	377010	PUSHING BUTTON SWITCH 110V	1	SINCE 12.2020 FOR MODEL(S)
*32C	376230	PUSHING BUTTON SWITCH 220V-240V	1	SINCE 6.2020 FOR MODEL(S) 220V-240V
*33	339148	NOISE SUPPRESSOR 100V-110V	1	FOR GBR (110V), MODEL(S)
*33	339147	NOISE SUPPRESSOR 220V-240V	1	FOR EUROPE,AUS,NZL,GBR (230V),RUS,SAF, MODEL(S)
*34	980063	TERMINAL	2	
*34	311741	TERMINAL	2	FOR MODEL(S)
*35	338334	CORD CLIP	1	
36	305720	TAPPING SCREW (W/FLANGE) D4X12	1	
*37	953327	CORD ARMOR D8.8	1	
38	338854	SLIDE SWITCH KNOB	1	
39		BRAND LABEL	1	
*40	339141	TAIL COVER	1	EXCEPT FOR MODEL(S) SINCE 6.2020 FOR MODEL(S)
*40	370019	TAIL COVER	1	TILL 5.2020 FOR MODEL(S)
41	305812	TAPPING SCREW (W/FLANGE) D4X16 (BLACK)	1	

* ALTERNATIVE PARTS



MODEL
G12SR4