

HIKOKI

DEMOLITION HAMMER H65SB3

Item No.	Code No.	Description	No. Used	Remarks
1	323734	NYLOCK HEX. SOCKET HD. BOLT M8X40	6	
2	339686	DAMPER PLATE	1	
3	323737	COLLAR	6	
4	339685	FRONT DAMPER	2	
5	339688	SPRING CASE	1	
6	956975	LEVER SPRING	1	
7	998425	DAMPER (B)	1	
8	339689	RING	1	
9	339683	FRONT COVER	1	
10	339682	SECOND HAMMER	1	
11	339687	STOP LEVER	1	
12	998426	NEEDLE ROLLER	1	
13	998428	O-RING (C)	1	
14	339684	O-RING (B)	1	
15	998433	DAMPER (A)	1	
16	339681	O-RING	2	
17	339680	SHANK SLEEVE	1	
18A	956963	MOUTH	1	
19	956962	MOUTH COVER	1	
20	370894	MOUTH WASHER (A)	1	
21	370893	URETHANE RING (A)	1	
22	320374	HANDLE STAY (W/NUT)	1	
23A	376179	CYLINDER CASE	1	
24	956996	O-RING (1AS-60)	1	
25A	374786	STRIKER	1	
26	998414	O-RING (A)	1	
27	323734	NYLOCK HEX. SOCKET HD. BOLT M8X40	4	
28	323212	BOLT WASHER M8 (BLACK)	4	
29	944928	PISTON PIN	1	
30	339676	PISTON	1	
31	998415	OIL SEAL (A)	1	
32	998434	CONNECTING ROD ASS'Y	1	INCLUD.33
33	944921	NEEDLE BEARING (NTN 8E-NK 18/20 RDO)	1	
34	956955	CRANK WASHER	1	
35	996364	SEAL LOCK HEX. SOCKET HD. BOLT M8X16	1	
36	306166	GRIP	1	
37	320375	NYLOCK HEX. SOCKET HD. BOLT M8X16	2	
38	306165	SIDE HANDLE ASS'Y	1	INCLUD.22,36,37
39	324544	FELT PACKING (B)	1	
40	338313	CAP SCREW	1	
41	995396	VALVE	1	
42	339674	GEAR COVER	1	
43	6302VV	BALL BEARING 6302VVCMP2L	1	
44	339672	FINAL GEAR	1	
45	944915	DISTANCE RING (B)	1	
46	339669	INNER COVER	1	
47	323725	SEAL RING	1	
48	331244	O-RING	1	
49	6205DD	BALL BEARING 6205DDCMP2L	1	
50	956949	BEARING COVER	1	
51	990079	SEAL LOCK HEX. SOCKET HD. BOLT M5X16	7	
52	339671	CRANK SHAFT	1	
53A	339665	HOUSING ASS'Y	1	INCLUD.90,91

* ALTERNATIVE PARTS

HIKOKI**DEMOLITION HAMMER H65SB3**

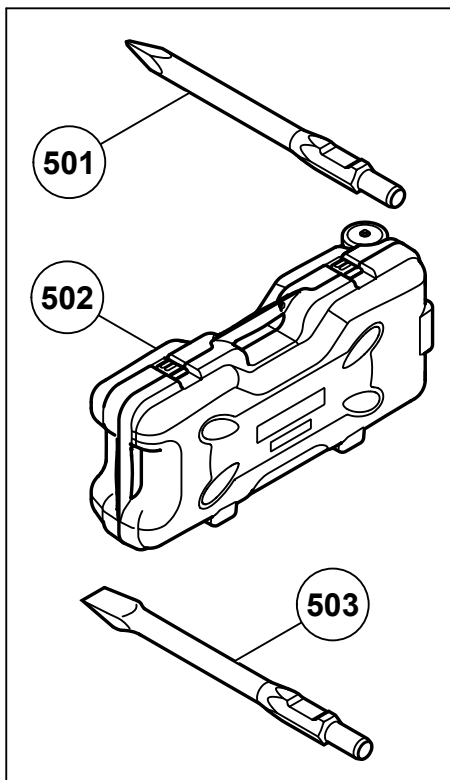
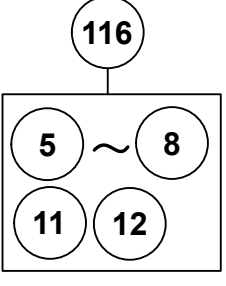
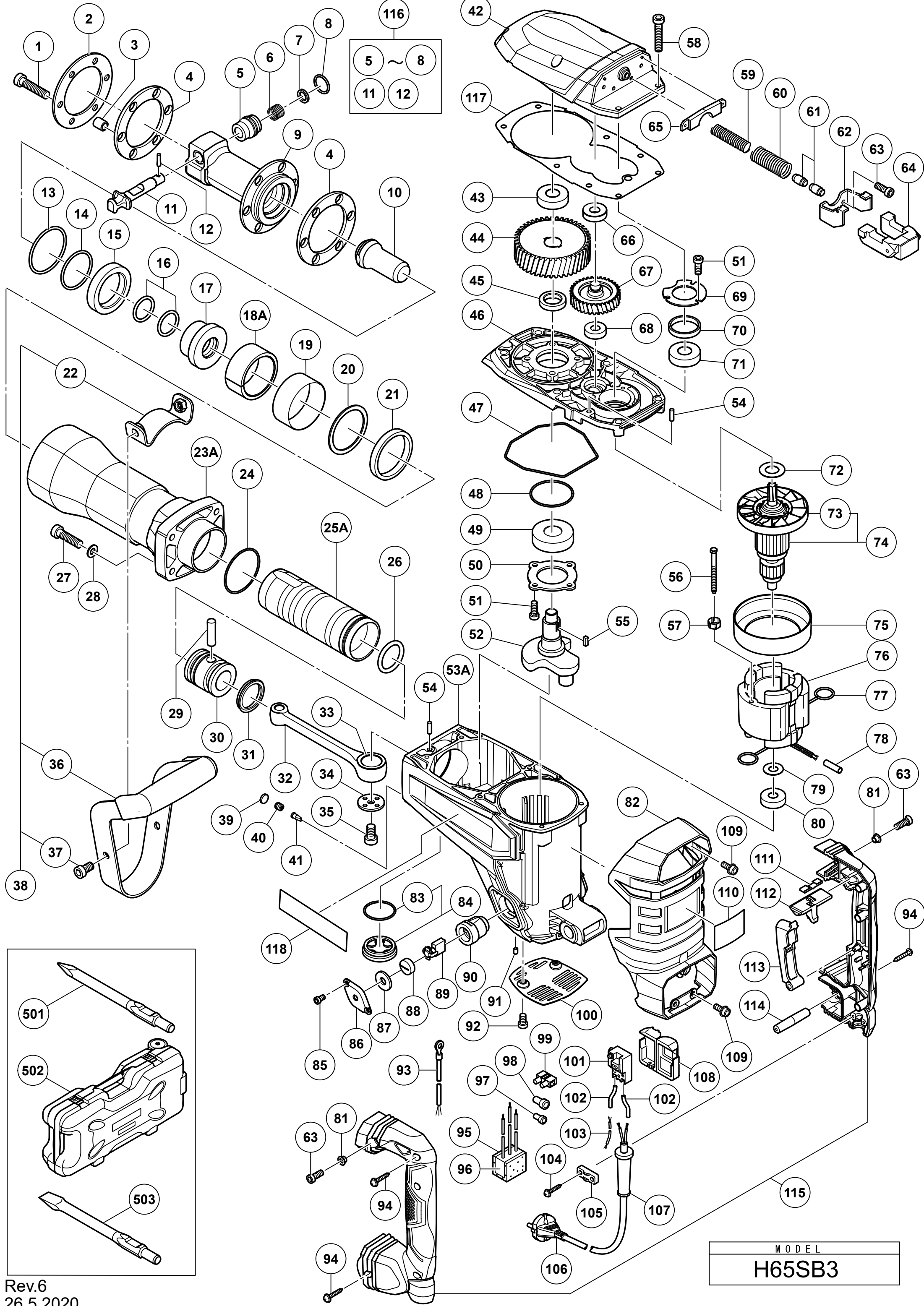
Item No.	Code No.	Description	No. Used	Remarks
54	944918	PIN D5X15.8	2	
55	931008	FEATHER KEY 4X4X12	1	
56	960251	HEX. HD. TAPPING SCREW D5X65	2	
57	956764	SPECIAL WASHER	2	
58	322494	SEAL LOCK HEX. SOCKET HD. BOLT M6X40	6	
59	339697	HANDLE SPRING (B)	1	
60	339696	HANDLE SPRING (A)	1	
61	310124	HANDLE DAMPER	2	
62	339695	HANDLE GUIDE	1	
63	990079	SEAL LOCK HEX. SOCKET HD. BOLT M5X16	4	
64	339698	HANDLE WEIGHT	1	
65	339694	HANDLE STOPPER	1	
66	6201VV	BALL BEARING 6201VV	1	
67	339673	COUNTER GEAR	1	
68	6001VV	BALL BEARING 6001VV	1	
69	944911	BEARING COVER (A)	1	
70	339670	DISTANCE RING (A)	1	
71	6203DD	BALL BEARING 6203DDCMPS2L	1	
72	333222	BEARING WASHER	1	
73	333196	FAN	1	
*74	361024C	ARMATURE ASS'Y 110V	1	INCLUD.73
*74	361024E	ARMATURE ASS'Y 220V-230V	1	INCLUD.73
75	339668	FAN GUIDE	1	
*76	340928C	STATOR ASS'Y 110V	1	INCLUD.77
*76	340928E	STATOR ASS'Y 220V-230V	1	INCLUD.77
77	945932	BRUSH TERMINAL	2	
78	322530	VINYL TUBE L55	1	
79	944954	BEARING WASHER	1	
80	6201DD	BALL BEARING 6201DDCMPS2L	1	
81	991711	DISTANCE PIECE (B)	2	
82	339692	BACK COVER	1	
83	980717	O-RING (S-38)	1	
84	990945	OIL CAP ASS'Y	1	INCLUD.83
85	877838	SEAL LOCK HEX. SOCKET HD. BOLT M4X8	4	
86	323727	CAP COVER	2	
87	944960	CAP RUBBER	2	
88	940540	BRUSH CAP	2	
89	999086	CARBON BRUSH (AUTO STOP TYPE) (1 PAIR)	2	
90	956984	BRUSH HOLDER	2	
91	938477	HEX. SOCKET SET SCREW M5X8	2	
92	991690	SEAL LOCK HEX. SOCKET HD. BOLT M5X12	2	
*93	994190	INTERNAL WIRE	1	FOR EUROPE ,AUS ,NZL ,GBR ,SAF ,RUS ,CHN
94	307028	TAPPING SCREW (W/FLANGE) D4X25 (BLACK)	5	
*95	930153	SUPPORT (B)	1	FOR EUROPE ,AUS ,NZL ,GBR ,SAF ,RUS ,CHN
*96	370895	NOISE SUPPRESSOR	1	FOR EUROPE ,AUS ,NZL ,GBR ,SAF ,RUS ,CHN
*97	959140	CONNECTOR 50091 (10 PCS.)	1	FOR EUROPE ,AUS ,NZL ,GBR ,SAF ,RUS ,CHN
98	959141	CONNECTOR 50092 (10 PCS.)	1	
*99	938307	PILLAR TERMINAL	1	FOR EUROPE ,AUS ,NZL ,GBR ,SAF ,RUS ,CHN
100	339675	TAIL COVER	1	
101	337051	SWITCH	1	
102	996438	VINYL TUBE (A) (I.D.7XT0.5X50)	2	
*103	337055	INTERNAL WIRE (BLACK)	1	FOR EUROPE ,AUS ,NZL ,GBR (230V) ,SAF ,RUS ,CHN
*103	337054	INTERNAL WIRE (WHITE)	1	FOR GBR (110V)

* ALTERNATIVE PARTS

HIKOKI**DEMOLITION HAMMER H65SB3**

Item No.	Code No.	Description	No. Used	Remarks
104	984750	TAPPING SCREW (W/FLANGE) D4X16	2	
105	960266	CORD CLIP	1	
*106	500390Z	CORD	1	(CORD ARMOR D10.7)
*106	500446Z	CORD	1	(CORD ARMOR D10.7) FOR GBR (230V)
*106	500467Z	CORD	1	(CORD ARMOR D10.7) FOR GBR (110V)
*107	940778	CORD ARMOR D10.7	1	
108	337052	SUPPORT	1	
109	339693	NYLOCK BOLT (W/FLANGE) M5	4	
110		NAME PLATE	1	
111	339691	LEAF SPRING	1	
112	339690	PUSHING BUTTON	1	
113	337058	SWITCH LEVER	1	
114	338175	HANDLE SHAFT	1	
115	339699	HANDLE (A).(B) SET	1	
116	339700	STOP LEVER ASS'Y	1	INCLUD.5-8,11,12
117	370913	SEAL PACKING	1	
118		BRAND LABEL	2	
		STANDARD ACCESSORIES		
501	944961	BULL POINT 410MM	1	
502	339664	CASE (PLASTIC)	1	
		OPTIONAL ACCESSORIES		
601	944962	COLD CHISEL 410MM (HEX. SHANK TYPE)	1	
602	944964	CUTTER W75X410L (ROUND SHANK TYPE)	1	
603	944966	RAMMER SHANK (HAMMER)	1	
604	944965	RAMMER 200MM	1	
605	957154	SCOOP 380L (ROUND SHANK TYPE)	1	
606	336375	WHEEL SET	1	
607	337337	WHEEL SHAFT SET	1	
608	337338	LATCH SET (2 PCS.)	1	
609	402616	HAMMER TROLLEY	1	
610	981840	GREASE (A) FOR HAMMER.HAMMER DRILL (30G)	1	
611	308471	GREASE FOR HAMMER.HAMMER DRILL (70G)	1	
612	930035	GREASE (SEP-3A) (100G)	1	
613	980927	GREASE FOR HAMMER.HAMMER DRILL (500G)	1	
614	371002	SERVICE KIT (H 65SB3)	1	INCLUD.1,13,14,16,20,21,24,26,31,47,89, 610,612

* ALTERNATIVE PARTS



MODEL
H65SB3