

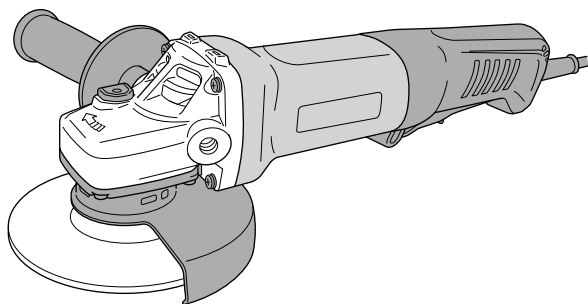
HIKOKI

en

ru

ar

G 12SE3 • G 13SE3



en Handling instructions

ru Инструкция по эксплуатации

ar تعليمات المعالجة



GENERAL POWER TOOL SAFETY WARNINGS

WARNING

Read all safety warnings and all instructions.

Failure to follow the warnings and instructions may result in electric shock, fire and/or serious injury.

Save all warnings and instructions for future reference.

The term "power tool" in the warnings refers to your mains-operated (corded) power tool or battery-operated (cordless) power tool.

1) Work area safety

a) Keep work area clean and well lit.

Cluttered or dark areas invite accidents.

b) Do not operate power tools in explosive atmospheres, such as in the presence of flammable liquids, gases or dust.

Power tools create sparks which may ignite the dust or fumes.

c) Keep children and bystanders away while operating a power tool.

Distractions can cause you to lose control.

2) Electrical safety

a) Power tool plugs must match the outlet.

Never modify the plug in any way.

Do not use any adapter plugs with earthed (grounded) power tools.

Unmodified plugs and matching outlets will reduce risk of electric shock.

b) Avoid body contact with earthed or grounded surfaces, such as pipes, radiators, ranges and refrigerators.

There is an increased risk of electric shock if your body is earthed or grounded.

c) Do not expose power tools to rain or wet conditions.

Water entering a power tool will increase the risk of electric shock.

d) Do not abuse the cord. Never use the cord for carrying, pulling or unplugging the power tool. Keep cord away from heat, oil, sharp edges or moving parts.

Damaged or entangled cords increase the risk of electric shock.

e) When operating a power tool outdoors, use an extension cord suitable for outdoor use.

Use of a cord suitable for outdoor use reduces the risk of electric shock.

f) If operating a power tool in a damp location is unavoidable, use a residual current device (RCD) protected supply.

Use of an RCD reduces the risk of electric shock.

3) Personal safety

a) Stay alert, watch what you are doing and use common sense when operating a power tool.

Do not use a power tool while you are tired or under the influence of drugs, alcohol or medication.

A moment of inattention while operating power tools may result in serious personal injury.

b) Use personal protective equipment. Always wear eye protection.

Protective equipment such as dust mask, non-skid safety shoes, hard hat, or hearing protection used for appropriate conditions will reduce personal injuries.

c) Prevent unintentional starting. Ensure the switch is in the off position before connecting to power source and/or battery pack, picking up or carrying the tool.

Carrying power tools with your finger on the switch or energising power tools that have the switch on invites accidents.

d) Remove any adjusting key or wrench before turning the power tool on.

A wrench or a key left attached to a rotating part of the power tool may result in personal injury.

e) Do not overreach. Keep proper footing and balance at all times.

This enables better control of the power tool in unexpected situations.

f) Dress properly. Do not wear loose clothing or jewellery. Keep your hair, clothing and gloves away from moving parts.

Loose clothes, jewellery or long hair can be caught in moving parts.

g) If devices are provided for the connection of dust extraction and collection facilities, ensure these are connected and properly used.

Use of dust collection can reduce dust-related hazards.

4) Power tool use and care

a) Do not force the power tool. Use the correct power tool for your application.

The correct power tool will do the job better and safer at the rate for which it was designed.

b) Do not use the power tool if the switch does not turn it on and off.

Any power tool that cannot be controlled with the switch is dangerous and must be repaired.

c) Disconnect the plug from the power source and/or the battery pack from the power tool before making any adjustments, changing accessories, or storing power tools.

Such preventive safety measures reduce the risk of starting the power tool accidentally.

d) Store idle power tools out of the reach of children and do not allow persons unfamiliar with the power tool or these instructions to operate the power tool.

Power tools are dangerous in the hands of untrained users.

e) Maintain power tools. Check for misalignment or binding of moving parts, breakage of parts and any other condition that may affect the power tool's operation.

If damaged, have the power tool repaired before use.

Many accidents are caused by poorly maintained power tools.

f) Keep cutting tools sharp and clean.

Properly maintained cutting tools with sharp cutting edges are less likely to bind and are easier to control.

g) Use the power tool, accessories and tool bits etc. in accordance with these instructions, taking into account the working conditions and the work to be performed.

Use of the power tool for operations different from those intended could result in a hazardous situation.

5) Service

a) Have your power tool serviced by a qualified repair person using only identical replacement parts.

This will ensure that the safety of the power tool is maintained.

PRECAUTION

Keep children and infirm persons away.

When not in use, tools should be stored out of reach of children and infirm persons.

SAFETY WARNINGS COMMON FOR GRINDING OR ABRASIVE CUTTING-OFF OPERATIONS

- a) This power tool is intended to function as a grinder or cut-off tool. Read all safety warnings, instructions, illustrations and specifications provided with this power tool.
Failure to follow all instructions listed below may result in electric shock, fire and/or serious injury.
- b) Operations such as sanding, wire brushing or polishing are not recommended to be performed with this power tool.
Operations for which the power tool was not designed may create a hazard and cause personal injury.
- c) Do not use accessories which are not specifically designed and recommended by the tool manufacturer. Just because the accessory can be attached to your power tool, it does not assure safe operation.
- d) The rated speed of the accessory must be at least equal to the maximum speed marked on the power tool.
Accessories running faster than their rated speed can break and fly apart.
- e) The outside diameter and the thickness of your accessory must be within the capacity rating of your power tool.
Incorrectly sized accessories cannot be adequately guarded or controlled.
- f) Threaded mounting of accessories must match the grinder spindle thread. For accessories mounted by flanges, the arbour hole of the accessory must fit the locating diameter of the flange.
Accessories that do not match the mounting hardware of the power tool will run out of balance, vibrate excessively and may cause loss of control.
- g) Do not use a damaged accessory. Before each use inspect the accessory such as abrasive wheels for chips and cracks, backing pad for cracks, tear or excess wear, wire brush for loose or cracked wires. If power tool or accessory is dropped, inspect for damage or install an undamaged accessory. After inspecting and installing an accessory, position yourself and bystanders away from the plane of the rotating accessory and run the power tool at maximum no-load speed for one minute.
Damaged accessories will normally break apart during this test time.
- h) Wear personal protective equipment. Depending on application, use face shield, safety goggles or safety glasses. As appropriate, wear dust mask, hearing protectors, gloves and workshop apron capable of stopping small abrasive or workpiece fragments.
The eye protection must be capable of stopping flying debris generated by various operations. The dust mask or respirator must be capable of filtrating particles generated by your operation. Prolonged exposure to high intensity noise may cause hearing loss.
- i) Keep bystanders a safe distance away from work area. Anyone entering the work area must wear personal protective equipment.
Fragments of workpiece or of a broken accessory may fly away and cause injury beyond immediate area of operation.
- j) Hold the power tool by insulated gripping surfaces only, when performing an operation where the cutting accessory may contact hidden wiring or its own cord. Cutting accessory contacting a "live" wire may make exposed metal parts of the power tool "live" and could give the operator an electric shock.
- k) Position the cord clear of the spinning accessory. If you lose control, the cord may be cut or snagged and your hand or arm may be pulled into the spinning accessory.

- l) Never lay the power tool down until the accessory has come to a complete stop.
The spinning accessory may grab the surface and pull the power tool out of your control.
- m) Do not run the power tool while carrying it at your side. Accidental contact with the spinning accessory could snag your clothing, pulling the accessory into your body.
- n) Regularly clean the power tool's air vents.
The motor's fan will draw the dust inside the housing and excessive accumulation of powdered metal may cause electrical hazards.
- o) Do not operate the power tool near flammable materials. Sparks could ignite these materials.
- p) Do not use accessories that require liquid coolants. Using water or other liquid coolants may result in electrocution or shock.

KICKBACK AND RELATED WARNINGS

Kickback is a sudden reaction to a pinched or snagged rotating wheel, backing pad, brush or any other accessory. Pinching or snagging causes rapid stalling of the rotating accessory which in turn causes the uncontrolled power tool to be forced in the direction opposite of the accessory's rotation at the point of the binding.

For example, if an abrasive wheel is snagged or pinched by the workpiece, the edge of the wheel that is entering into the pinch point can dig into the surface of the material causing the wheel to climb out or kick out. The wheel may either jump toward or away from the operator, depending on direction of the wheel's movement at the point of pinching.

Abrasive wheels may also break under these conditions.

Kickback is the result of power tool misuse and/or incorrect operating procedures or conditions and can be avoided by taking proper precautions as given below.

- a) Maintain a firm grip on the power tool and position your body and arm to allow you to resist kickback forces. Always use auxiliary handle, if provided, for maximum control over kickback or torque reaction during start-up. The operator can control torque reactions or kickback forces, if proper precautions are taken.
- b) Never place your hand near the rotating accessory. Accessory may kickback over your hand.
- c) Do not position your body in the area where power tool will move if kickback occurs.
Kickback will propel the tool in direction opposite to the wheel's movement at the point of snagging.
- d) Use special care when working corners, sharp edges etc. Avoid bouncing and snagging the accessory. Corners, sharp edges or bouncing have a tendency to snag the rotating accessory and cause loss of control or kickback.
- e) Do not attach a saw chain woodcarving blade or toothed saw blade.
Such blades create frequent kickback and loss of control.

SAFETY WARNINGS SPECIFIC FOR GRINDING AND ABRASIVE CUTTING-OFF OPERATIONS

- a) Use only wheel types that are recommended for your power tool and the specific guard designed for the selected wheel.
Wheels for which the power tool was not designed cannot be adequately guarded and are unsafe.
- b) The grinding surface of centre depressed wheels must be mounted below the plane of the guard lip. An improperly mounted wheel that projects through the plane of the guard lip cannot be adequately protected.

English

- c) **The guard must be securely attached to the power tool and positioned for maximum safety, so the least amount of wheel is exposed towards the operator.**
The guard helps to protect the operator from broken wheel fragments, accidental contact with wheel and sparks that could ignite clothing.
- d) **Wheels must be used only for recommended applications. For example: do not grind with the side of cut-off wheel.**
Abrasive cut-off wheels are intended for peripheral grinding, side forces applied to these wheels may cause them to shatter.
- e) **Always use undamaged wheel flanges that are of correct size and shape for your selected wheel.**
Proper wheel flanges support the wheel thus reducing the possibility of wheel breakage. Flanges for cut-off wheels may be different from grinding wheel flanges.
- f) **Do not use worn down wheels from larger power tools.**
Wheel intended for larger power tool is not suitable for the higher speed of a smaller tool and may burst.
- Inspect the grinding wheel before use, do not use chipped, cracked or otherwise defective products;
 - Ensure that mounted wheels and points are fitted in accordance with the manufacturer's instructions;
 - Ensure that blotters are used when they are provided with the bonded abrasive product and when they are required;
 - Ensure that the abrasive product is correctly mounted and tightened before use and run the tool at no-load for 30 seconds in a safe position, stop immediately if there is considerable vibration or if other defects are detected. If this condition occurs, check the machine to determine the cause;
 - If a guard is equipped with the tool never use the tool without such a guard;
 - When using a abrasive cutting wheel, be sure to remove the standard accessory wheel guard and attach the wheel guard with side guard (sold separately) (Fig. 4);
 - Do not use separate reducing bushings or adapters to adapt large hole abrasive wheels;
 - For tools intended to be fitted with threaded hole wheel, ensure that the thread in the wheel is long enough to accept the spindle length;
 - Check that the work piece is properly supported;
 - Do not use cutting off wheel for side grinding;
 - Ensure that sparks resulting from use do not create a hazard e.g. do not hit persons, or ignite flammable substances;
 - Ensure that ventilation openings are kept clear when working in dusty conditions, if it should become necessary to clear dust, first disconnect the tool from the mains supply (use non metallic objects) and avoid damaging internal parts;
 - Always use eye and ear protection. Other personal protective equipment such as dust mask, gloves, helmet and apron should be worn;
 - Pay attention to the wheel that continues to rotate after the tool is switched off.

ADDITIONAL SAFETY WARNINGS SPECIFIC FOR ABRASIVE CUTTING- OFF OPERATIONS

- a) **Do not "jam" the cut-off wheel or apply excessive pressure. Do not attempt to make an excessive depth of cut.**
Overstressing the wheel increases the loading and susceptibility to twisting or binding of the wheel in the cut and the possibility of kickback or wheel breakage.
- b) **Do not position your body in line with and behind the rotating wheel.**
When the wheel, at the point of operation, is moving away from your body, the possible kickback may propel the spinning wheel and the power tool directly at you.
- c) **When wheel is binding or when interrupting a cut for any reason, switch off the power tool and hold the power tool motionless until the wheel comes to a complete stop. Never attempt to remove the cut-off wheel from the cut while the wheel is in motion otherwise kickback may occur.**
Investigate and take corrective action to eliminate the cause of wheel binding.
- d) **Do not restart the cutting operation in the workpiece. Let the wheel reach full speed and carefully re-enter the cut.**
The wheel may bind, walk up or kickback if the power tool is restarted in the workpiece.
- e) **Support panels or any oversized workpiece to minimize the risk of wheel pinching and kickback.**
Large workpieces tend to sag under their own weight. Supports must be placed under the workpiece near the line of cut and near the edge of the workpiece on both sides of the wheel.
- f) **Use extra caution when making a "pocket cut" into existing walls or other blind areas.**
The protruding wheel may cut gas or water pipes, electrical wiring or objects that can cause kickback.
- Ensure that the power source to be utilized conforms to the power requirements specified on the product nameplate.
 - Ensure that the power switch is in the OFF position. If the plug is connected to a receptacle while the power switch is in the ON position, the power tool will start operating immediately, which could cause a serious accident.
 - When the work area is removed from the power source, use an extension cord of sufficient thickness and rated capacity. The extension cord should be kept as short as practicable.
 - Ensure that the depressed center wheel to be utilized is the correct type and free of cracks or surface defects. Also ensure that the depressed center wheel is properly mounted and the wheel nut is securely tightened.
 - Confirm that the push button is disengaged by pushing push button two or three times before switching the power tool on.
 - To prolong the life of the machine and ensure a first class finish, it is important that the machine should not be overloaded by applying too much pressure. In most applications, the weight of the machine alone is sufficient for effective grinding. Too much pressure will result in reduced rotational speed, inferior surface finish, and overloading which could reduce the life of the machine.
 - The wheel continues to rotate after the tool is switched off.
After switching off the machine, do not put it down until the depressed center wheel has come to a complete stop. Apart from avoiding serious accidents, this precaution will reduce the amount of dust and swarf sucked into the machine.

GENERAL SAFETY INSTRUCTIONS FOR GRINDERS

- Check that speed marked on the wheel is equal to or greater than the rated speed of the grinder;
- Ensure that the wheel dimensions are compatible with the grinder;
- Abrasive wheels shall be stored and handled with care in accordance with manufacturer's instructions;

8. When the machine is not use, the power source should be disconnected.
9. Be sure to switch OFF and disconnect the attachment plug from the receptacle to avoid a serious accident before the depressed center wheel is assembling and disassembling.
10. RCD
The use of a residual current device with a rated residual current of 30 mA or less at all times is recommended.
11. Do not operate from a direct current power source, booster or any other type of transformer. Doing so may not only cause damage to the grinder, but may lead to accidents.
12. Some mobile generators may not be usable with the machine.

APPLICATIONS

- Removal of casting fin and finishing of various types of steel, bronze and aluminum materials and castings.
- Grinding of welded sections or sections cut by means of a cutting torch.
- Cutting of synthetic concrete, stone, brick, marble, and similar materials.

SPECIFICATIONS

Model	G12SE3	G13SE3
Voltage (by areas)*	(230 V, 240 V) ~	
Power input*	1400 W	
Rated speed	11500 /min	
Wheel	Outer dia.	115 mm 125 mm
	Hole dia.	22.23 mm
	Thickness	6 mm
Peripheral speed	80 m/s	
Weight	2.5 kg	

* Be sure to check the nameplate on product as it is subject to change by areas.

NOTE

Due to HiKOKI's continuing program of research and development, the specifications herein are subject to change without prior notice.

MOUNTING AND OPERATION

Action	Figure	Page
Fitting and adjusting the wheel guard	1	17
Fixing the side handle	2	17
Assembling depressed center wheel	3	18
Assembling cutting wheel and wheel guard*1	4	18
Assembling diamond wheel and wheel guard*1	5	18
Switch operation*2	6 / 7	18, 19
Grinding angle and grinding method	8	19
Selecting accessories	—	20







*1 Optional

*2 Fig. 7 shows a power tool equipped with an on-lock button.

SYMBOLS

WARNING

The following show symbols used for the machine. Be sure that you understand their meaning before use.

	G12SE3 / G13SE3: Disc Grinder
	To reduce the risk of injury, user must read instruction manual.
	Always wear eye protection.
V	Rated voltage
~	Alternating current
n	Rated speed
/min	Revolution or reciprocations per minute
I	Switching ON
O	Switching OFF
Lock I	Switch locks to the "ON" position.
	Disconnect mains plug from electrical outlet
	Warning
	Class II tool

STANDARD ACCESSORIES

In addition to the main unit (1 unit), the package contains the accessories listed in the below.

- (1) Wrench1
- (2) Side handle1
- (3) Depressed center wheel1

Standard accessories are subject to change without notice.

MAINTENANCE AND INSPECTION

1. Inspecting the depressed center wheel

Ensure that the depressed center wheel is free of cracks and surface defects.

2. Inspecting the mounting screws

Regularly inspect all mounting screws and ensure that they are properly tightened. Should any of the screws be loose, retighten them immediately. Failure to do so could result in serious hazard.

3. Inspecting the carbon brushes

For your continued safety and electrical shock protection, carbon brush inspection and replacement on this tool should ONLY be performed by a HiKOKI AUTHORIZED SERVICE CENTER.

4. Replacing supply cord

If the replacement of the supply cord is necessary, it has to be done by HiKOKI Authorized Service Center to avoid a safety hazard.

5. Maintenance of the motor

WARNING

Always wear protective goggles and dust respirators when blowing air from the tail cover air hole with the use of an air gun, etc.

Failure to observe this may result in ejected dust being inhaled or entering your eyes.

The motor unit winding is the very "heart" of the power tool. Exercise due care to ensure the winding does not become damaged and/or wet with oil or water.

NOTE

When work has been finished, blow air containing no moisture from the tail cover air hole with the use of an air gun, etc., while running the motor without any load applied. This is effective in removing any dirt and dust that has accumulated. Dirt and dust collecting inside the motor may result in malfunctions.

CAUTION

In the operation and maintenance of power tools, the safety regulations and standards prescribed in each country must be observed.

NOTE

Due to HiKOKI's continuing program of research and development, the specifications herein are subject to change without prior notice.

ОБЩИЕ ПРАВИЛА БЕЗОПАСНОСТИ ПРИ РАБОТЕ С ЭЛЕКТРОИНСТРУМЕНТОМ

⚠ ПРЕДУПРЕЖДЕНИЕ

Прочтите все правила безопасности и инструкции. Не выполнение правил и инструкций может привести к поражению электрическим током, пожару и/или серьезной травме.

Сохраняйте все правила и инструкции на будущее.

Термин «электроинструмент» в контексте всех мер предосторожности относится к эксплуатируемому вами электроинструменту с питанием от сетевой розетки (с сетевым шнуром) или электроинструменту с питанием от аккумуляторной батареи (беспроводному).

1) Безопасность на рабочем месте

а) Поддерживайте чистоту и хорошее освещение на рабочем месте.

Беспорядок и плохое освещение приводят к несчастным случаям.

б) Не используйте электроинструменты во взрывоопасных окружающих условиях, например, в непосредственной близости огнеопасных жидкостей, горючих газов или легковоспламеняющейся пыли.

Электроинструменты порождают искры, которые могут воспламенить пыль или испарения.

в) Держите детей и наблюдающих на безопасном расстоянии во время эксплуатации электроинструмента.

Отвлечение внимания может стать для вас причиной потери управления.

2) Электробезопасность

а) Сетевые вилки электроинструментов должны соответствовать сетевой розетке.

Никогда не модифицируйте штепсельную вилку никоим образом.

Не используйте никакие адаптерные переходники с заземлёнными (замкнутыми на землю) электроинструментами.

Немодифицированные штепсельные вилки и соответствующие им сетевые розетки уменьшат опасность поражения электрическим током.

б) Не прикасайтесь телом к заземленным поверхностям, например, к трубопроводам, радиаторам, кухонным плитам и холодильникам.

Если Ваше тело соприкоснется с заземленными поверхностями, возрастет опасность поражения электрическим током.

в) Не подвергайте электроинструменты действию воды или влаги.

При попадании воды в электроинструмент возрастет опасность поражения электрическим током.

д) Правильно обращайтесь со шнуром. Никогда не переносите электроинструмент, взявшись за шнур, не тяните за шнур и не дергайте за шнур с целью отсоединения электроинструмента от сетевой розетки.

Располагайте шнур подальше от источников тепла, нефтепродуктов, предметов с острыми краями и движущихся деталей. Поврежденные или запутанные шнуры увеличивают опасность поражения электрическим током.

е) При эксплуатации электроинструмента вне помещений, используйте удлинительный шнур, предназначенный для использования вне помещения.

Использование шнура, предназначенного для работы вне помещений, уменьшит опасность поражения электрическим током.

ф) При эксплуатации электроинструмента во влажной среде, используйте устройство защитного отключения источника питания.

Использование устройства защитного отключения уменьшит опасность поражения электрическим током.

3) Личная безопасность

а) Будьте готовы в неожиданных ситуациях, внимательно следите за своими действиями и руководствуйтесь здравым смыслом при эксплуатации электроинструмента.

Не используйте электроинструмент, когда вы устали или находитесь под влиянием наркотиков, алкоголя или лекарственных препаратов.

Мгновенная потеря внимания во время эксплуатации электроинструментов может привести к серьезной травме.

б) Используйте индивидуальные средства защиты. Всегда надевайте средства защиты глаз.

Защитное снаряжение, например, противовылевой респиратор, защитная обувь с нескользкой подошвой, защитный шлем-каска или средства защиты органов слуха, используемые для соответствующих условий, уменьшат травмы.

в) Избегайте непреднамеренного включения двигателя. Убедитесь в том, что выключатель находится в положении выключения перед подниманием, переноской или подсоединением к сетевой розетке и/или портативному батарейному источнику питания.

Переноска электроинструментов, когда вы держите палец на выключателе, или подсоединение электроинструментов к сетевой розетке, когда выключатель находится в положении включения, приводит к несчастным случаям.

д) Снимите все регулировочные или гаечные ключи перед включением электроинструмента.

Гаечный или регулировочный ключ, оставленный прикрепленным к вращающейся детали электроинструмента, может привести к получению травмы.

е) Не теряйте устойчивость. Все время имейте точку опоры и сохраняйте равновесие.

Это поможет лучше управлять электроинструментом в непредвиденных ситуациях.

ф) Одевайтесь надлежащим образом. Не надевайте просторную одежду или ювелирные изделия. Держите волосы, одежду и перчатки как можно дальше от движущихся частей.

Просторная одежда, ювелирные изделия или длинные волосы могут попасть в движущиеся части.

г) Если предусмотрены устройства для присоединения присосблений для отвода и сбора пыли, убедитесь в том, что они присоединены и используются надлежащим образом.

Использование данных устройств может уменьшить опасности, связанные с пылью.

4) Эксплуатация и обслуживание электроинструментов

а) Не перегружайте электроинструмент. Используйте надлежащий для Вашего применения электроинструмент.

Надлежащий электроинструмент будет выполнять работу лучше и надежнее в том режиме работы, на который он рассчитан.

б) Не используйте электроинструмент с неисправным выключателем, если с его помощью нельзя будет выключить и выключить инструмент.

Каждый электроинструмент, которым нельзя управлять с помощью выключателя, будет представлять опасность, и его будет необходимо отремонтировать.

в) Отсоедините штепсельную вилку от источника питания и/или портативный батарейный источник питания от электроинструмента перед началом выполнения какой-либо из регулировок, перед сменой принадлежностей или хранением электроинструмента.

Такие профилактические меры безопасности уменьшат опасность непреднамеренного включения двигателя электроинструмента.

г) Храните неиспользуемые электроинструменты в недоступном для детей месте, и не разрешайте людям, не умеющим обращаться с электроинструментом или не изучившим данное руководство, работать с электроинструментом.

Электроинструменты представляют опасность в руках неподготовленных пользователей.

д) Содержите электроинструменты в исправности. Проверьте, нет ли несоосности или заедания движущихся частей, повреждения деталей или какаго-либо другого обстоятельства, которое может повлиять на функционирование электроинструментов.

При наличии повреждения отремонтируйте электроинструмент перед его эксплуатацией. Большое количество несчастных случаев связано с плохим обслуживанием электроинструментов.

е) Содержите режущие инструменты остро заточенными и чистыми.

Надлежащим образом содержащиеся в исправности режущие инструменты с острыми режущими кромками будут меньше заедать и будут легче в управлении.

ж) Используйте электроинструмент, принадлежности, насадки и т.п. в соответствии с данным руководством, принимая во внимание условия и объем выполняемой работы.

Использование электроинструмента для выполнения работ не по прямому назначению может привести к опасной ситуации.

5) Обслуживание

а) Обслуживание Вашего электроинструмента должно выполняться квалифицированным представителем ремонтной службы с использованием только идентичных запасных частей.

Это обеспечит сохранность и безопасность электроинструмента.

МЕРЫ ПРЕДОСТОРОЖНОСТИ

Держите подальше от детей и немощных людей.

Если инструменты не используются, их следует хранить в недоступном для детей и немощных людей месте.

ОБЩИЕ ПРЕДУПРЕЖДЕНИЯ ОБ ОСТОРОЖНОСТИ ДЛЯ ПРОВЕДЕНИЯ ШЛИФОВАЛЬНЫХ РАБОТ ИЛИ ОТРЕЗАНИЯ

а) Этот электроприбор предназначен для шлифовальных работ или отрезания. Прочтите все предупреждения об осторожности, инструкции, иллюстрации и спецификации, которые представлены в комплекте с этим электроприбором.

Не выполнение правил и инструкций может привести к поражению электрическим током, пожару и/или серьезной травме.

б) Этим электроприбором не рекомендуются производить такие работы как обработка песностружкой, очистка проволочной щёткой или полировка.

Работы, для которых этот электроприбор не предназначен, могут создать опасную ситуацию и привести к несчастному случаю.

в) Не используйте принадлежности, которые не предназначены конкретно для заданной цели или, которые не рекомендуются производителем прибора.

Если принадлежность можно установить на ваш электроприбор, то это ещё не значит, что она обеспечит безопасную работу.

г) Номинальная скорость принадлежности должна быть, по крайней мере, равной максимальной скорости указанной на электроприборе.

Принадлежности, используемые в работе при высшей скорости, чем их номинальная скорость, могут сломаться и развалиться на части.

д) Внешний диаметр и толщина вашей принадлежности должны быть в пределах проектной мощности вашего электроприбора.

Неверно подобранные по размеру принадлежности не могут быть защищены или контролируемые соответствующим образом.

е) Резьбовой монтаж комплектующих должен соответствовать резьбе шпинделя. Для вспомогательного оборудования, установленного при помощи фланцев, отверстие принадлежности должно соответствовать диаметру установочного фланца.

Принадлежности, которые не совпадают с устанавливаемым изделием электроприбора, разбалансируются, будут сильно вибрировать и могут стать причиной потери контроля.

ж) Не используйте поврежденную принадлежность. Перед каждым использованием, проверьте принадлежность: шлифовальные круги на наличие отбитых кусков и трещин, прижимные подкладки на наличие трещин, разрывов или изношенность, проволочные щётки на выпадение или поломку проводки. В случае падения электроприбора или принадлежности, проверьте на наличие повреждения или установите неповрежденную принадлежность. После проверки и установки принадлежности, направьте вращающуюся принадлежность в сторону от себя и стоящих вблизи вас и включите электроприбор на максимальную скорость без нагрузки на одну минуту.

Во время такой проверки поврежденные принадлежности обычно разбиваются.

- h) Наденьте средства индивидуальной защиты. В зависимости от вида работы, используйте щиток-маску, защитные или предохранительные очки. При необходимости, наденьте респиратор, средства защиты слуха, перчатки и рабочий фартук, защищающий от попадания фрагментов или деталей материала.

Средства защиты глаз должны защищать глаза от попадания летящих обрывков, которые возникают при выполнении различных видов работ. Лицевая маска или респиратор должны отфильтровывать частицы пыли, которые образуются во время работы. Длительное влияние сильного шума может вызвать потерю слуха.

- i) Наблюдатели должны находиться на безопасном расстоянии от рабочего места. Любым, кто заходит на территорию рабочего места, должен надеть средства индивидуальной защиты.

Фрагменты материала или сломанной принадлежности могут отлететь и нанести травму в непосредственной близости от рабочего места.

- j) Во время работы, держите электроприбор только за изолированные поверхности, если существует риск, что режущие принадлежности могут соприкоснуться со скрытым проводом или проводом самого электроприбора.

При контакте режущих принадлежностей с проводкой, находящейся под напряжением, изолированные металлические части электроинструмента могут проводить электрический ток, который приведет к поражению оператора.

- k) Расположите провод подальше от вращающихся принадлежностей.

В случае потери вами контроля, электропровод может быть перерезан или ободран, а ваша рука может попасть во вращающуюся принадлежность.

- l) Никогда не кладите электроприбор до тех пор, пока принадлежность остановится полностью.

Вращающаяся принадлежность может зацепиться за поверхность и оттолкнуть электроприбор от вас.

- m) Не включайте электроприбор, если вы держите его близко к себе.

При случайном соприкосновении с вращающейся принадлежностью, она может зацепиться за вашу одежду и притянуть прибор к вашему телу.

- n) Регулярно прочищайте выпускные воздушные отверстия электроприбора.

Вентилятор мотора всасывает пыль в корпус, а чрезмерное накопление металлической пыли может вызвать опасность поражения электрическим током.

- o) Не включайте электроприбор вблизи легковоспламеняющихся материалов.

Искры могут воспламенить эти материалы.

- p) Не используйте принадлежности, которые необходимо охлаждать при помощи жидкого охладителя.

Использование воды или другой охлаждающей жидкости может привести к электрооглушению или поражению электрическим током.

ОТДАЧА И ДРУГИЕ ПОХОЖИЕ ПРЕДУПРЕЖДЕНИЯ

Отдача – это внезапная реакция на защемление или остановку вращающегося круга, опорной прокладки, шётки или иного другого приспособления. Защемление или остановка вызывают резкое глушение вращающегося приспособления, которое в свою очередь приводит к тому, что неконтролируемый электроинструмент с силой отшвыривает в сторону, противоположную вращению приспособления в точке зажима.

К примеру, если изделие защемило или остановило шлифовальный круг, то край круга, который входит в зону защемления может врезаться в поверхность данного материала, что приведёт к тому, что круг выбросит вверх или вышвырнет. Круг может либо подпрыгнуть по направлению к оператору либо в сторону от него, в зависимости от направления движения круга в точке защемления.

Шлифовальные круги также могут сломаться при таких условиях.

Отдача – это результат неправильного использования электроинструмента и/или несоблюдения техники эксплуатации или рабочего режима, который можно избежать, соблюдая соответствующие меры предосторожности, представленные ниже.

- a) Крепко держите электроинструмент и займите такое положение, при котором ваше тело и рука смогут оказать сопротивление силе отдачи. Всегда пользуйтесь вспомогательной ручной, если таковая имеется, для максимального контроля над отдачей или реакцией от крутящего момента во время запуска.

Оператор может контролировать реакции от крутящего момента или силу отдачи, если предприняты соответствующие меры предосторожности.

- b) Никогда не держите руку вблизи вращающегося приспособления.

Это приспособление может быть отброшено на вашу руку.

- c) Не стойте в зоне, куда в случае отдачи может отбросить электроинструмент.

Отдача может отбросить инструмент по направлению, противоположному вращению круга в точке остановки.

- d) Будьте особо внимательны при работе с углами, острыми краями и т.д. Избегайте тряски и остановки приспособления.

Углы, острые края или тряска обычно могут привести к защемлению вращающегося приспособления и вызвать потерю контроля или отдачу.

- e) Не одевайте пильную цепь для резбы по дереву или зубчатое режущее полотно.

Такие полотна часто приводят к отдаче и потере контроля.

ОСОБЫЕ МЕРЫ ПРЕДОСТОРОЖНОСТИ ДЛЯ РЕЖУЩИХ РАБОТ И АБРАЗИВНОЙ ОТРЕЗКИ

- a) Используйте только тот вид кругов, который рекомендован для вашего электроинструмента, а также специфическое защитное приспособление, спроектированное для выбранного круга.

Круги, которые не соответствуют данному электроинструменту, не могут быть защищены соответствующим образом, и они небезопасны.

- b) **Поверхность шлифования колес с опущенным центром должна быть установлена ниже плоскости защитного борта.**
Неправильно установленное колесо, которое выступает через плоскость защитного борта, не может быть защищено надлежащим образом.
- c) **Защитное приспособление должно быть надёжно прикреплено к электроинструменту и установлено таким образом, чтобы достичь максимальной безопасности, с тем, чтобы наименьшая часть круга была обращена к оператору.**
Защита помогает защитить оператора от фрагментов поврежденного колеса, случайного контакта с колесом и искр, которые могут воспламенить одежду.
- d) **Круги должны использоваться только согласно рекомендованным работам. К примеру, не шлифуйте стороной отрезного круга.**
Абразивные отрезные круги предназначены для периферийного шлифования, боковые силы, прилагаемые к этим кругам, могут вызвать их разрушение.
- e) **Всегда пользуйтесь неповрежденными фланцами крепления круга соответствующего размера и формы для выбранного вами круга.**
Соответствующие фланцы кругов поддерживают круг и таким образом уменьшают вероятность поломки круга. Фланцы для отрезных кругов могут отличаться от фланцев шлифовальных кругов.
- f) **Не используйте использованные круги с больших электроинструментов.**
Круг, предназначенный для большого электроинструмента, не подходит для больших скоростей меньшего инструмента и может сломаться.
- e) **Панель крепления или негабаритная обрабатываемая деталь с целью минимизации риска защемления кругом и отдачи назад.**
Большие детали имеют склонность к провисанию под собственным весом. Поэтому под такими деталями возле линии обреза и возле краев детали с обеих сторон круга необходимо установить опоры.
- f) **Будьте предельно осторожны, продельвая надрез в существующей стене или отступе.**
Выступающий круг может прорезать газовую или водяную трубу, электрический провод или предметы, которые могут быть причиной отдачи назад.

ОБЩИЕ ИНСТРУКЦИИ ПО ТЕХНИКЕ БЕЗОПАСНОСТИ ДЛЯ ШЛИФОВАЛЬНЫХ МАШИН

- Убедитесь в том, что скорость, указанная на шлифовальном круге, больше или равна номинальной скорости шлифовальной машины.
- Убедитесь в том, что размеры шлифовального круга совместимы со шлифовальной машиной.
- Абразивные шлифовальные круги требуют бережного хранения и обращения в соответствии с инструкциями предприятия-изготовителя.
- Осмотрите шлифовальный круг перед использованием, не используйте шербоные, треснувшие или имеющие другие дефекты круги.
- Убедитесь в том, что установленные шлифовальные круги и режущие кромки закреплены в соответствии с инструкциями предприятия-изготовителя.
- Убедитесь в том, что прокладки из промокательной бумаги используются там, где они предусмотрены для армированного абразивного изделия и где требуется их применение.
- Перед использованием убедитесь в том, что абразивные изделия правильно установлены и затянуты, и опробуйте инструмент без нагрузки в течение 30 секунд в безопасном положении, немедленно выключите его при появлении большой вибрации или при обнаружении других неисправностей. Если такое состояние будет иметь место, проверьте машину для определения причины неисправности.
- Если инструмент оборудован защитным приспособлением, никогда не используйте инструмент без этого защитного приспособления.
- При использовании инструмента с абразивной насадкой, снимите стандартный предохранительный щиток и установите дополнительный боковой щиток (приобретается TCR отдельно) (Рис. 4).
- Не используйте отдельные переходные втулки или насадки для того, чтобы приспособить абразивные шлифовальные круги с отверстиями большого диаметра.
- Что касается инструментов, предназначенных для установки при помощи резьбового отверстия шлифовального круга, убедитесь в том, что резьба в круге имеет достаточную длину, чтобы соответствовать длине шпинделя.
- Проверьте и убедитесь в том, что обрабатываемое изделие поддерживается надлежащим образом.
- Не используйте отрезные круги для бокового шлифования.
- Убедитесь в том, что искры, образующиеся в процессе работы, не являются источником опасности, например, не падают на людей или не воспламеняют огнеопасные вещества.

ДОПОЛНИТЕЛЬНЫЕ ОСОБЫЕ МЕРЫ ПРЕДОСТОРОЖНОСТИ ДЛЯ АБРАЗИВНОЙ ОТРЕЗКИ

- a) **Не заклинивайте отрезной круг и не давите на него слишком сильно. Не пытайтесь сделать слишком глубокий надрез.**
Чрезмерное напряжение на круг увеличивает нагрузку и подверженность к перекручиванию или заклиниванию круга в надрезе и к вероятности отдачи или поломке круга.
- b) **Не занимайте позицию на линии или позади вращающегося круга.**
Когда круг во время работы сдвигается в сторону от вашего тела, тогда вероятная отдача может выбросить вращающийся круг и электроинструмент прямо на вас.
- c) **Когда круг застрял или когда резка прерывается по какой-либо причине, выключите электроинструмент и держите его неподвижно, пока круг полностью остановится. Никогда не пытайтесь вынуть отрезной круг из надреза в то время, когда круг находится в движении, иначе может произойти отскок.**
Установите причину застревания круга и устраните её.
- d) **Не продолжайте резку, если круг инструмента находится внутри обрабатываемой детали. Сначала круг должен набрать полную скорость и тогда его можно осторожно повторно ввести в надрез.**
Круг может застрять, вырваться или отскочить, если электроинструмент повторно запускается, когда круг находится в обрабатываемой детали.

- Убедитесь в том, что вентиляционные отверстия очищены при работе в запыленных условиях, если зашифтованная необходимость очистить инструмент от пыли, прежде всего, отсоедините его от сети питания (используйте немаetalлические предметы) и постарайтесь не повредить внутренние части.
- Всегда используйте средства защиты глаз и органов слуха. Также следует надевать другие индивидуальные средства защиты, например, противопылевой респиратор, перчатки, защитный шлем и фарук.
- Обратите внимание на то, что шлифовальный круг продолжает вращаться после выключения инструмента.

10. Устройство защитного отключения
Рекомендуется постоянно использовать устройство защитного отключения с остаточным током не более 30 мА.
11. Не работайте от источника питания постоянного тока, вольтодобавочного трансформатора или трансформатора какого-либо другого типа. Это может привести к повреждению шлифовального круга, а также может стать причиной несчастных случаев.
12. Некоторые мобильные генераторы могут не подходить для работы с устройством.

СИМВОЛЫ

ПРЕДУПРЕЖДЕНИЕ

Ниже приведены символы, используемые для устройства. Перед началом работы обязательно убедитесь в том, что вы понимаете их значение.

	G12SE3 / G13SE3: Угловая шлифовальная машина
	Чтобы уменьшить опасность получения травм, пользователь должен прочитать руководство по эксплуатации.
	Всегда надевайте средства защиты глаз.
V	Номинальное напряжение
~	Переменный ток
n	Номинальное число оборотов
min ⁻¹	Обороты или возвратно-поступательные движения в минуту
I	Переключатель ВКЛ.
O	Переключатель ВЫКЛ.
Lock I	Переключите блокировку в положение «ON» (ВКЛ.).
	Отсоедините штепсельную вилку от электрической розетки
	Предупреждение
	Электрoинструмент класса II

СТАНДАРТНЫЕ ПРИНАДЛЕЖНОСТИ

В дополнение к основному инструменту (1 инструмент) комплект включает дополнительные принадлежности, перечень которых представлен ниже.

- (1) Гаечный ключ 1
- (2) Боковая рукоятка 1
- (3) Шлифовальный круг с утопленным центром 1

Состав и тип дополнительных принадлежностей может быть изменен без предварительного уведомления.

ДОПОЛНИТЕЛЬНЫЕ УКАЗАНИЯ ПО ОБЕСПЕЧЕНИЮ БЕЗОПАСНОСТИ

1. Проследите за тем, чтобы используемый источник электропитания соответствовал требованиям к источнику электропитания, указанным на типовой табличке изделия.
2. Убедитесь в том, что переключатель находится в положении «Выкл.». Если вы вставляете штепсель в розетку, а переключатель находится в положении «Вкл.», инструмент немедленно заработает, что может стать причиной серьезной травмы.
3. Когда рабочая площадка удалена от источника электропитания, пользуйтесь удлинителем. Удлинитель должен иметь требуемую площадь поперечного сечения и обеспечивать работу инструмента заданной мощности. Разматывайте удлинитель только на реально необходимую для данного конкретного применения длину.
4. Убедитесь в том, что используемый шлифовальный круг с утопленным центром подходит по типу, и не имеет трещин и дефектов поверхности. Обязательно убедитесь также в том, что шлифовальный круг с утопленным центром установлен надлежащим образом и гайка крепления круга надежно затянута.
5. Перед включением электрического инструмента проверьте нажимную кнопку и убедитесь в том, что нажимная кнопка освобождена, путем двух- или трехразового нажатия.
6. Для продления срока службы машины и обеспечения высококачественной чистовой обработки, важно избегать перегрузки, возникающей при слишком сильном нажатии на машину. В большинстве случаев применения, вес самой машины является достаточным для эффективного шлифования. Слишком сильное нажатие на машину может привести в результате к снижению скорости вращения, разрушению внутренней поверхности и перегрузке, которая может сократить срок службы машины.
7. Шлифовальный круг продолжает вращаться после выключения инструмента.
После выключения машины не кладите его до тех пор, пока шлифовальный круг с утопленным центром полностью не остановится. Не считая того, что эта мера предосторожности поможет избежать несчастного случая с тяжелыми последствиями, она уменьшит количество пыли и мелкой шлифовальной стружки, которая может засосаться внутрь машины.
8. Если машина не используется, она должна быть отключена от источника питания.
9. Обязательно убедитесь в выключении машины и отсоединении штепсельной вилки от сетевой розетки для предотвращения несчастного случая с тяжелыми последствиями, прежде чем устанавливать или снимать шлифовальный круг с утопленным центром.

НАЗНАЧЕНИЕ

- Удаление облоя на отливках, чистовая обработка различных видов изделий и отливок из стали, бронзы и алюминия.
- Шлифование сварных сечений или сечений, полученных резкой при помощи газового резака.
- Резание синтетического бетона, камня, кирпича, мрамора и подобных материалов.

ТЕХНИЧЕСКИЕ ХАРАКТЕРИСТИКИ

Модель	G12SE3	G13SE3
Напряжение (по регионам)*	(230 В) ~	
Потребляемая мощность*	1400 Вт	
Номинальное число оборотов	11500 мин ⁻¹	
Круг	Наружный диаметр	115 мм 125 мм
	Диаметр отверстия	22,23 мм
	Толщина	6 мм
Окружная скорость	80 м/с	
Вес	2,5 кг	

* Проверьте по паспортной табличке изделия, так как характеристики меняются в зависимости от региона.

ПРИМЕЧАНИЕ

На основании постоянных программ исследования и развития компания НіКОКІ оставляют за собой право на изменение указанных здесь технических данных без предварительного уведомления.

УСТАНОВКА И ЭКСПЛУАТАЦИЯ

Операция	Рисунок	Страница
Установка и регулировка защитного приспособления шлифовального круга	1	17
Прикрепление боковой рукоятки	2	17
Установка шлифовального круга с утопленным центром	3	18
Установка отрезного круга и защитного кожуха круга*1	4	18
Установка шлифовального круга с алмазной кромкой и защитного кожуха круга*1	5	18
Функционирование пускового переключателя*2	6 / 7	18, 19
Угол и метод шлифования	8	19
Выбор принадлежностей	—	20

*1 Факультативно

*2 На рис. 7 показан электроинструмент с кнопкой блокировки.

ТЕХНИЧЕСКОЕ ОБСЛУЖИВАНИЕ И ОСМОТР

1. Обследование шлифовального круга с утопленным центром

Убедитесь в том, что шлифовальный круг с утопленным центром не имеет трещин и дефектов поверхности.

2. Осмотр крепежных винтов

Регулярно выполняйте осмотр всех крепежных винтов и проверяйте их надлежащую затяжку. При ослаблении каких-либо винтов, немедленно затяните их повторно. Невыполнение этого требования может привести к серьезной опасности.

3. Проверка угольных щеток

Чтобы обеспечить вашу безопасность и защитить от поражения электрическим током, осмотр и замену угольных щеток этого инструмента следует проводить ТОЛЬКО в УПОЛНОМОЧЕННОМ СЕРВИСНОМ ЦЕНТРЕ НіКОКІ.

4. Замена сетевого шнура

В случае необходимости замены сетевого шнура во избежание угрозы безопасности замену должен осуществить авторизованный сервисный центр НіКОКІ.

5. Обслуживание двигателя

ПРЕДУПРЕЖДЕНИЕ

Всегда надевайте защитные очки и респираторы при выдувании воздуха из отверстия для воздуха последнего сита с помощью воздушного пистолета и т. д.

Невыполнение данного требования может привести к выдыханию извлеченной пыли или ее попаданию в глаза.

Обмотка двигателя представляет собой «сердце» электроинструмента. Соблюдайте надлежащие меры предосторожности для защиты обмотки от повреждений и/или попадания на нее влаги, масла или воды.

ПРИМЕЧАНИЕ

По окончании работы продуйте воздухом, не содержащим влаги, из отверстия для воздуха последнего сита с помощью воздушного пистолета и т. д., одновременно запустив двигатель без нагрузки. Это эффективно для удаления собравшейся грязи и пыли. Грязь и пыль, собравшиеся внутри двигателя, могут стать причиной неисправностей.

ОСТОРОЖНО

При использовании или техобслуживании инструмента всегда следите за выполнением всех правил и норм безопасности.

ПРИМЕЧАНИЕ

На основании постоянных программ исследования и развития компания НіКОКІ оставляют за собой право на изменение указанных здесь технических данных без предварительного уведомления.

التركيب والتشغيل

صفحة	الشكل	الإجراء
17	1	تركيب وقاء العجل وضبطه
17	2	قم بتثبيت المقبض الجانبي
18	3	تركيب العجلة مضغوطة المركز
18	4	تركيب عجلة القطع و قاء العجل*1
18	5	تركيب عجلة تجليخ بكسارة الماس و قاء العجل*1
19، 18	7 / 6	تشغيل المفتاح*2
19	8	زاوية التجليخ وطريقة التجليخ
20	—	تحديد الملحقات

Lock I	قم بتحريك أقفال المفتاح إلى الوضع "ON" "تشغيل".
	افصل قابس المآخذ من المنفذ الكهربائي
	تحذير
	عدة فئة II

ملحقات قياسية

بالإضافة إلى الوحدة الرئيسية (وحدة واحدة)، تحتوي المجموعة على الملحقات التي تم سردها في الجدول أدناه.

- (1) مفتاح الربط.....1
- (2) مقبض جانبي.....1
- (3) العجلة مضغوطة المركز.....1

يمكن تغيير الملحقات القياسية دون إخطار.

الصيانة والفحص

1 فحص العجلة مضغوطة المركز

تأكد من أن العجلة مضغوطة المركز خالية من التشقق والعيوب السطحية.

2 فحص مسامير التثبيت

قم بالفحص الدوري لكافة مسامير التثبيت والتأكد من إحكام ربطها بشكل صحيح. في حالة فك أية مسامير، قم بإحكام ربطها على الفور. فقد يعرض الفشل في القيام بذلك إلى مخاطر.

3 فحص الفرشاة الكربونية

لسلامتك والوقاية من الصدمات الكهربائية، لا يجب فحص أو استبدال الفرشاة الكربونية بالأداة إلا من قبل مركز خدمة HiKOKI معتمد.

4 استبدال سلك التيار الكهربائي

إذا دعت الحاجة إلى استبدال سلك التيار الكهربائي، فيجب أن يتم ذلك من خلال مركز خدمة HiKOKI المعتمد لأجل تجنب مخاطر السلامة.

5 صيانة المحرك

تحذير

ارتد النظارات الواقية والكمادات الواقية من الغبار دائماً عند نفخ الهواء من فتحة هواء غطاء الطرف باستخدام بندقية ضغط الهواء.. إلخ. عدم الإلتزام بهذه التعليمات قد يعرضك لاستنشاق الهواء المنفوخ أو دخوله لعينيك.

ملف وحدة المحرك هو "الجزء الأوسط" من أداة الطاقة. تأكد باستمرار من عدم تلف الملف و/أو بلله بواسطة الزيت أو الماء.

ملاحظة

عند الانتهاء من العمل، قم بطرد الهواء غير الرطب من فتحة هواء غطاء الطرف باستخدام بندقية ضغط الهواء.. إلخ. وذلك أثناء تشغيل المحرك وعدم إضافة أي أحمال. هذه الوسيلة فعالة لإزالة أي تلوث أو التربة متراكمة. قد يسبب تراكم التلوث والأتربة بالمحرك حدوث تلف به.

تنبيه

في حالة تشغيل العدد الكهربائية أو صيانتها، يجب اتباع تعليمات الأمان والمعايير الخاصة بكل دولة.

ملاحظة

تبعاً لبرنامج HiKOKI للبحث والتطوير المستمر، تتغير المواصفات المذكورة هنا دون إعلام مسبق.

تطبيقات

- إزالة زعنفه الصب وإنهاء أنواع عدة من المواد الصلبة والبرونزية ومواد الألمنيوم والمصبوبات الخاصة بتلك المواد
- شحذ الأجزاء الملحومة أو الأجزاء المقطوعة باستخدام مشعل القطع.
- قطع الأسمنت الاصطناعي والأحجار والطوب والرخام والمواد المشابهة لذلك.

المواصفات

الموديل		G13SE3	G12SE3
الجهد الكهربائي (حسب المناطق)*		(110، 230 فولت) ~	
دخول الطاقة*		1400 واط (230 فولت)، 1200 واط (110 فولت)	
السرعة المقننة		11500/دقيقة	
العجلة	القطر الخارجي	115 مم	125 مم
	قطر الفتحة	22.23 مم	
	السُمك	6 مم	
السرعة المحيطية		80 م/ث	
الوزن		2.5 كجم	

* احرص على التحقق من لوحة الاسم الموجودة على المنتج حيث أنها غرضة للتغيير حسب المناطق.

ملاحظة

تبعاً لبرنامج HiKOKI للبحث والتطوير المستمر، تتغير المواصفات المذكورة هنا دون إعلام مسبق.

العربية

- تأكد من بقاء فتحات التهوية نظيفة عند العمل في ظل أجواء معرضة للآتربة. إذا كان تنظيفها من الآتربة أمراً لازماً، فصل أولاً الأداة عن مأخذ الإمداد بالطاقة (استخدم أشياء غير معدنية) وتجنب تلف الأجزاء الداخلية؛
- استخدم دائماً وافي العين والأذن. يجب ارتداء المعدات الوقائية الأخرى مثل القناع الواقي من الآتربة والقفازات والخوذة والمنزلة؛
- انتبه للعجلة التي تستمر في الدوران بعد إيقاف تشغيل الأداة.

يدعم محور العجل المناسب العجلة مما يقلل من فرص كسر ها. قد تختلف محاور العجل لعجلات القطع عن محاور العجل لعجلات الشدح.

- ج) لا تستخدم عجلات متآكلة من أدوات طاقة أكبر.**
العجل المصمم لأدوات الطاقة الأكبر لا يتناسب مع السرعة العالية للأدوات الصغيرة وقد ينفجر.

تحذيرات أمان إضافية لعمليات القطع الكاشطة

- أ) لا "تضغط" على عجلة القطع أو تضع عليها حمل زائد. لا تحاول القطع بعمق زائد.**
يزيد الضغط الزائد على العجلة من الحمل وفرص التواء العجلة أو انسدادها عند القطع، كما يزيد من فرص الارتداد العكسي أو تكسر العجلة.
- ب) لا تضع جسمك بمحاذاة عجلة الدوران أو خلفها.**
يساعد الوقاء على حماية العامل من شظايا العجل المكسور ومن اللمس المفاجئ للعجل.
- ت) عند ربط العجلة أو إعاقة القطع لأي سبب من الأسباب، قم بإيقاف تشغيل أداة الطاقة ولا تحركها حتى تتوقف العجلة تماماً. لا تحاول أبداً إيقاف عجلة عن القطع أثناء حركة العجلة وإلا سيستبب ذلك في ارتداد عكسي.**
قم بالفحص واتخاذ الإجراء الصحيح لتقليل فرصة حدوث انسداد العجلة.
- ث) لا قم بإعادة تشغيل عملية القطع أثناء العمل.** اترك العجلة تصل إلى أقصى سرعة وقم بحماية إعادة القطع.
قد يتم ربط العجلة، أو تحريكها، أو ارتدادها عكسياً إذا تمت إعادة تشغيل أداة الطاقة أثناء العمل.
- ج) قم بتدعيم اللوحات أو أي عنصر كبير الحجم لتقليل خطر انحناس الشفرة وارتدادها عكسياً.**
ترفع العناصر الكبيرة لتزخي تحت وزنها الخاص بها. يجب وضع الدعائم تحت العنصر، بالقرب من خط القطع وبالقرب من حافة العنصر على جانبي العجلة.
- ح) ابدل مزيداً من الاحتياطي عند عمل "قطع جيبي" في الحوائط الحالية أو المناطق المسدودة الأخرى.**
قد تؤدي العجلة البارزة إلى قطع أنابيب المياه، والأسلاك الكهربائية أو الأشياء التي قد تسبب الارتداد العكسي.

تحذيرات سلامة إضافية

- 1 تأكد من أن مصدر الطاقة الذي سيتم استخدامه مطابق لمطالبات الطاقة المحددة على لوحة الاسم الموجودة على المنتج.
- 2 تأكد من أن مفتاح الطاقة على الوضع إيقاف. في حالة توصيل القابس بالمقبس وكان مفتاح الطاقة على الوضع تشغيل، فسيتم تشغيل أداة الطاقة على الفور، مما قد يؤدي إلى وقوع حادث خطير.
- 3 عند إزالة منطقة العمل من مصدر الطاقة، استخدم سلك توصيل إضافي ذو سمك كافٍ وسعة مقننة. يجب أن يظل سلك التوصيل الإضافي قصيراً بقدر المستطاع.
- 4 تأكد أن العجلة مضغوطة المركز التي تستخدم من النوع الصحيح وخالية من التكسر وعبوب السطح. تأكد أيضاً أن العجلة مضغوطة المركز تم تركيبها تركيباً صحيحاً وأن صمولة العجلة تم ربطها ربطاً محكماً.
- 5 تأكد من عدم توقف زر الضغط بالضغط عليه مرتين أو ثلاث مرات قبل تشغيل أداة الطاقة.
- 6 لإطالة عمر الآلة وضمان عمل ممتاز، من الهام تقليل الضغط عن الآلة. في أغلب التطبيقات، يكفي وزن الآلة وحده على الجلاخة الفعالة. يؤدي الضغط الزائد إلى تقليل سرعة الدوران، والتأثير على السطح، وزيادة الضغط مما قد يتسبب في تقليل عمر الآلة.
- 7 تستمر العجلة في الدوران بعد إيقاف تشغيل الأداة.
بعد إيقاف تشغيل الآلة، لا تضعها من يدك حتى تتوقف العجلة مضغوطة المركز تماماً. بالإضافة إلى تجنب الحوادث الخطيرة، فإن هذا الاحتياط من شأنه تقليل كمية الآتربة والخراطة العالقة بالآلة.
- 8 عند عدم استخدام الآلة، يجب فصل البطارية.
- 9 تأكد من إيقاف التشغيل وقم بفصل قابس الملمحات من المقبس لتجنب الحوادث الخطيرة قبل تركيب العجلة مضغوطة المركز وفكها.
- 10 **RCD**
يوصى باستخدام التيار الكهربائي المتبقي الذي يحتوي على تيار كهربائي مقتن من 30 أمبير أو أقل في جميع الأوقات.
- 11 لا تشغل من خلال مصدر تيار كهربائي، أو معزز جهد، أو أي نوع آخر من المحولات. فعل ذلك قد لا يتسبب فقط في ضرر للجلاخة، ولكن قد يؤدي إلى وقوع الحوادث.
- 12 بعض المواد الكهربائية المتحولة قد لا تصلح للاستخدام مع الماكينة.

تعليمات السلامة العامة للطاحونة

- تأكد من أن السرعة المبيّنة على العجلة مساوية للسرعة المقننة للجلاخة أو أكبر منها؛
- تأكد من أن أبعاد العجلة متوافقة مع الجلاخة؛
- يجب تخزين العجلات الكاشطة والتعامل معها بعناية تبعاً لتعليمات جهة التصنيع؛
- افحص عجلة الشدح قبل الاستخدام، ولا تستخدم منتجات مكسورة أو مشققة أو بها عيوب أخرى؛
- تأكد من مناسبة العجلات والنقاط المثبتة تبعاً لتعليمات جهة التصنيع؛
- تأكد من استخدام النشافات عند توفرها مع المنتج الكاشط المضمون وعندما يتطلب الأمر استخدامها؛
- تأكد من أن المنتج الكاشط مثبت جيداً ومحكم الربط قبل الاستخدام وقم بتشغيل الأداة دون حمل لمدة 30 ثانية في وضع آمن، وقم بالإيقاف على الفور إذا لاحظت اهتزاز أو أي عيب آخر. إذا حدث ذلك، افحص الآلة لتحديد السبب؛
- إذا كانت الأداة مزودة بوقاء لا تستخدم الأداة من دونها؛
- عند استخدام عجلة القطع الكاشطة، تأكد من إزالة وقاء العجلة الملحقة القياسية وقم بربط وقاء العجلة مع الوقاء الجانبي (تباع على حدة) (الشكل 4).
- لا تستخدم بطانات منفصلة أو محولات لتغيير حجم فتحة العجلات الكاشطة؛
- بالنسبة للأدوات المصممة لتلائم عجلة فتحة مترابطة، تأكد من أن الخيط طويل بما يكفي لاستيعاب طول عمود الدوران؛
- تحقق من أن قطعة العمل تم دعمها بشكل صحيح؛
- لا تستخدم عجلة القطع في الشدح الجانبي؛
- تأكد من أن الشرارات الناتجة عن الاستخدام لا تسبب خطراً فمثلاً لا تصطدم بأشخاص أو تشعلها بجانب مواد قابلة للاشتعال؛

الرموز

تحذير

يبين ما يلي الرموز المستخدمة للماكينة. تأكد من أنك تفهم معناها قبل الاستخدام.

G13SE3 / G12SE3 : طاحونة القرص	
قم بقراءة كافة تحذيرات السلامة وكافة التعليمات.	
قم دائماً بارتداء القناع الواقي للعين.	
v جهد كهربائي مقتن	
تيار متردد	
n السرعة المقننة	
/min دورة أو مبادلة في الدقيقة	
I مفتاح التشغيل (ON)	
O مفتاح إيقاف التشغيل (OFF)	

تحذيرات الأمان الشائعة لعمليات الشد أو القطع الكاشطة

صممت أداة الطاقة هذه لتعمل كإداة شد أو قطع. قم بقراءة كل تحذيرات الأمان، والتعليمات، والتوضيحات، والمواصفات المقدمة مع أداة الطاقة.

قد يتسبب الفشل في اتباع التعليمات المسردة أدناه في صدمة كهربائية أو حريق، أو إصابة.

لا يوصى باستخدام أداة الطاقة هذه في عمليات مثل السفررة، أو تنظيف الأسلاك، أو الصقل.

قد يتسبب استخدام أداة الطاقة في العمليات غير المخصصة لها في المخاطر والإصابة الشخصية.

لا تستخدم الملحقات غير المصممة خصيصاً والموصى بها من قبل جهة تصنيع الأداة.

ولأنه يمكن إرفاق الملحق بأداة الطاقة الخاصة بك، فلا تضمن التشغيل الآمن.

الارتداد العكسي والتحذيرات ذات الصلة

الارتداد العكسي هو رد فعل مفاجئ لرحلة الدوران، ومنصة الكبح الخلفي، وأي من الملحقات الأخرى المقتوبة أو المزقة. قد يتسبب النقب أو التمزق في سرعة التوقف المفاجئ للملح الدوران مما يتسبب في دفع أداة الطاقة فائدة التحكم في الاتجاه المعاكس لدوران الملحق في نقطة الربط.

على سبيل المثال، إذا تمزقت عجلة كاشطة أو نُقبت نتيجة العمل، قد تغرس حافة العجلة الداخلة بنقطة النقب داخل سطح المادة مسبباً في إفلات العجلة. قد تنفلت العجلة باتجاه العامل أو بعيداً عنه وذلك وفقاً لاتجاه حركة العجلة في لحظة النقب.

قد تتلف كذلك عجلات الكشط في هذه الظروف.

الارتداد العكسي هو نتيجة سوء استخدام أداة الطاقة أو إجراءات تشغيل أو حالات غير صحيحة، ويمكن تجنبه باتخاذ الاحتياطات المناسبة كما يلي.

- (أ) امسك أداة الطاقة جيداً بحيث يكون جسمك وذراعك في اتجاه مقاوم لقوة الارتداد العكسي. استخدم دائماً المقبض الإضافي، متى توفر، للحصول على الحد الأقصى للتحكم في الارتداد العكسي وردود أفعال عزم الدوران أثناء بدء التشغيل.
- يمكن للعامل التحكم في ردود أفعال عزم التشغيل أو قوة الارتداد العكسي عند اتخاذ الاحتياطات المناسبة.
- (ب) لا تضع يدك أبداً بالقرب من ملحق الدوران.
- قد يرتد الملحق عكسياً على يدك.
- (ت) لا تضع جسمك في المنطقة التي تتحرك فيها أداة الطاقة إذا حدث الارتداد العكسي.
- يدفع الارتداد العكسي الأداة في اتجاه معاكس لحركة العجلة عند التمزق.
- (ث) استخدم معدات حماية خاصة عند العمل في الأركان، والحواف الحادة، وما يماثلها. تجنب ارتداد وتمزيق الملحق.
- قد يتسبب الارتداد والحواف الحادة والارتداد في قطع ملحق الدوران مما يتسبب في فقدان التحكم أو الارتداد العكسي.
- (ج) لا تقم بإرفاق شفرة حفر خشب لسلسلة النشر أو شفرة نشر مستننة. تؤدي هذه الشفرات إلى ارتداد عكسي وفقدان التحكم.

تحذيرات الأمان الخاصة بعمليات الشد والقطع الكاشطة

- (أ) استخدم أنواع العجل الموصى بها فقط لأداة الطاقة والحماية الخاصة المصممة للعجلات المحددة.
- تعزز حماية وتأمين العجلات غير المصممة لأداة الطاقة بشكل مناسب.
- (ب) يجب تركيب سطح التجليخ للعجلات مضغوطة المركز أسفل سطح حافة الوفاء.
- أي عجلة تم تركيبها بشكل غير صحيح وتبرز على سطح حافة الوفاء، لا يمكن حمايتها بشكل صحيح.
- (ت) يجب إرفاق الوفاء بشكل آمن لأداة الطاقة وتأمينه جيداً بحيث يكون الجزء الأصغر من العجلة في اتجاه العامل.
- يساعد الوفاء على حماية العامل من شظايا العجلة المكسورة ومن اللبس العرضي للعجلة والشرر مما قد يؤدي إلى اشتعال الملابس.
- (ث) يجب استخدام العجل فقط للتطبيقات الموصى بها. على سبيل المثال: لا تقم بالشد بجانب عجلة القطع.
- عجلات القطع الكاشطة مصممة للشد السطحي، ولذلك قد يتسبب تطبيق القوى الجانبية لهذه العجلات في كسرها.
- (ج) استخدم دائماً محور عجل غير تالف بحجم وشكل صحيحين للعجلة المحددة الخاصة بك.

- (أ) صممت أداة الطاقة هذه لتعمل كإداة شد أو قطع. قم بقراءة كل تحذيرات الأمان، والتعليمات، والتوضيحات، والمواصفات المقدمة مع أداة الطاقة.
- قد يتسبب الفشل في اتباع التعليمات المسردة أدناه في صدمة كهربائية أو حريق، أو إصابة.
- (ب) لا يوصى باستخدام أداة الطاقة هذه في عمليات مثل السفررة، أو تنظيف الأسلاك، أو الصقل.
- قد يتسبب استخدام أداة الطاقة في العمليات غير المخصصة لها في المخاطر والإصابة الشخصية.
- (ت) لا تستخدم الملحقات غير المصممة خصيصاً والموصى بها من قبل جهة تصنيع الأداة.
- ولأنه يمكن إرفاق الملحق بأداة الطاقة الخاصة بك، فلا تضمن التشغيل الآمن.
- (ث) يجب أن تكون السرعة المقتنة للملحق مساوية على الأقل للحد الأقصى للسرعة المبيّنة على أداة الطاقة.
- قد تتسبب الملحقات التي تعمل بسرعة أكبر من السرعة المقتنة الخاصة بها أو تنصلع بعيداً.
- (ج) يجب أن يكون البعد الخارجي للملحق الخاص بك وسمكه في حدود السعة المقتنة لأداة الطاقة الخاصة بك.
- لا يمكن حماية الملحقات ذات الأحجام غير الصحيحة أو التحكم بها بشكل مناسب.
- (ح) يجب أن يتطابق التركيب المترابط للملحقات مع من عمود دوران الجلاخة. للملحقات التي يتم تركيبها بواسطة الشفاه، يجب أن تتناسب فتحة محور الملحق مع قطر تحديد الشفاه.
- تفقد الملحقات التي لا تتماشى مع جهاز تركيب أداة الطاقة توازنها وتبرز بشدة وقد تتسبب في فقد السيطرة.
- (خ) لا تستخدم ملحق تالف. قبل كل استخدام قم بفحص الملحق بما في ذلك التأكد من خلو العجلات الكاشطة من الشرائح والشقوق، وخلو منصة الكبح الخلفي من الشقوق والتمزق والتآكل، وخلو فرشاة الأسلاك من الأسلاك المفكوكة أو المتصدعة. إذا سقطت أداة الطاقة أو الملحق، تأكد من أنها لم تتلف أو قم بتركيب ملحق غير تالف.
- بعد الفحص وتركيب الملحق، ابتعد أنت والمحتطين بك عن الملحق الدوار وقم بتشغيل أداة الطاقة على الحد الأقصى للسرعة دون حمل لدقيقة واحدة.
- تتفكك الملحقات التالفة عادةً في وقت الاختبار.
- (د) ارتد المعدات الواقية. حسب الاستخدام، استخدم واقى الوجه أو النظارات الواقية. حسب الاقتضاء، قم بإرتداء القناع الواقى من الأتربة، ومعدات الحماية الأذن، والفقازات، ووقاء ورشة العمل المقاوم للكشط أو الشظايا.
- يجب أن تكون حماية العينين قادرة على صد الحطام المتصاعد الناتج عن العمليات المختلفة. يجب أن يكون القناع الواقى من الأتربة قادراً على ترشيح الجزيئات الناتجة عن العمليات التي تقوم بها.
- قد يتسبب التعرض لفترات طويلة للضوضاء العالية في فقدان القدرة على السمع.
- (ذ) ارتد الماررة بعيداً عن منطقة العمل. يجب على كل من يدخل منطقة العمل ارتداء معدات الوقاية الشخصية.
- قد تتطاير الشظايا الناتجة عن العمليات المختلفة أو الملحقات المكسورة وبتسبب في إصابة خارج منطقة العمل.
- (ر) امسك العدة الكهربائية بأسطح المقبض المعزولة فقط عند أداء عملية قد تصل فيها ملحقات القطع بأسلاك مخفية أو بالسلك الخاص بها.
- ملحقات القطع المتصلة بسلك "مباشر" قد تتعرض للأجزاء المعدنية العدة الكهربائية "المباشرة" وقد تصيب العملية بصدمة كهربائية.
- (ز) ضع العجلة بعيداً عن ملحق الدوران.
- إذا فقدت التحكم، فقد ينقطع السلك أو يتمزق ويتم سحب يدك وذراعك إلى ملحق الدوران.
- (س) لا تضع أبداً أداة الطاقة لأسفل حتى يتوقف الملحق تماماً.
- قد يمسك ملحق الدوران بالسلك ويخرج أداة الطاقة عن التحكم.
- (ش) لا تعمل على تشغيل أداة الطاقة أثناء حملها على جانبك.
- قد يتسبب اللمس المفاجئ لملحق الدوران في قطع ملابسك، مما يسحب الملحق في اتجاه جسمك.



قم بقراءة كافة تحذيرات السلامة وكافة التعليمات.
قد يتسبب الفشل في اتباع التحذيرات والتعليمات المسردة أدناه في صدمة كهربائية أو حريق، أو وإصابة.

احفظ كافة التحذيرات والتعليمات للرجوع إليها مستقبلاً.

يشير مصطلح "العدة الكهربائية" في التحذيرات إلى العدة الكهربائية (السلكية) التي تعمل موصلات التشغيل الرئيسية الخاصة بك أو العدة الكهربائية (اللاسلكية) التي تعمل بالبطارية.

1) سلامة منطقة العمل

- حافظ على نظافة وحسن إضاءة مكان شغلك.
فالغوض في مكان العمل ومجالات العمل الغير مضاءة تتسبب في وقوع حوادث.
- لا تقم بتشغيل العدة الكهربائية في أجواء انفجارية أي في وجود سوائل أو غازات قابلة للاشتعال أو غير.
- تحدثت العدة الكهربائية شرارة تعمل على إشعال غير الأذنة.
حافظ على أن تكون العدة الكهربائية بعيدة عن متناول الأطفال أو المحيطين بك.

أي شكل من أشكال التشييت من الممكن أن تؤدي إلى فقدك السيطرة.

2) الواقية من الصدمات الكهربائية

- يجب توصيل القابض بمنفذ الكهرباء، يحظر تعديل القابض بأي طريقة.
لا تستخدم أي قابض مهلبى مع العدة الكهربائية الأرضية.
تخوض القابض التي لم يتم تغييرها والمقابس الملائمة من خطر حدوث الصدمات الكهربائية.
- تجنب التلامس الجسدي مع الأسطح الأرضية مثل الأتاييب والمبادلات الحرارية والتلآجات والموافد.
في حالة ملامسة جسمك لأي من تلك الأسطح الأرضية هناك خطورة لتعرضك لصدمة كهربية.
- لا تعرض العدة الكهربائية للمطر أو الرطوبة.
يزداد خطر الصدمات الكهربائية إن تسرب الماء إلى داخل العدة الكهربائية.
- لا تسيء استعمال الكابل (السلك)، لا تستعمله مطلقاً لحمل أو شد أو دفع العدة الكهربائية أو لسحب القابض من المقبض. وحافظ عليه بعيداً عن مصادر الحرارة أو الزيت أو الحواف الحادة أو أجزاء الجهاز المتحركة.
- تزيد الكابلات (الاسلاك) التالفة أو المتشابكة من خطر الصدمات الكهربائية.
- في حالة تشغيل العدة الكهربائية بالخارج، ينصح باستخدام سلك (كابل) يتناسب مع الاستعمال الخارجي.
قم باستخدام سلك مناسب مع الكابلات الخارجية للتقليل من خطورة التعرض لصدمة كهربية.
- عندما يكون تشغيل العدة الكهربائية في مكان رطب أمر لا مفر منه، فاستخدم المزود المحمي للتيار الكهربائي (الميتقي (RCD).
يعمل استخدام RCD على تقليل مخاطر الإصابة بصدمة كهربية.

3) السلامة الشخصية

- كن يقظاً وأنتبه إلى ما تفعله وقم بالعمل بواسطة العدة الكهربائية بنقل. لا تستخدم العدة الكهربائية في حالة شعورك بالتعب أو إذا كنت تحت تأثير مواد مخدرة أو أدوية أو مواد كحولية.
عدم الانتباه للحظة واحدة عند استخدام العدة الكهربائية قد يؤدي إلى إصابة خطيرة.
- استخدم أدوات الأمان. قم دائماً بارتداء القناع الواقي للعين. استخدم أدوات الحماية مثل القناع الواقي من الغبار أو أذنية الأمان المضادة للاثر لاق أو قبعة صلبة أو أجهزة حماية السمع والتي يتم استخدامها في ظروف معينة على تقليل احتمالات التعرض لإصابات شخصية.

ت) منع التشغيل غير المقصود. تأكد من أن المفتاح في الوضع إيقاف التشغيل قبل التوصيل بمصدر الطاقة و/أو حزمة البطارية، والانتقاط أو حمل الأداة.

يؤدي حمل العدة الكهربائية مع وجود إصبعك في المفتاح أو تشغيل العدة الكهربائية التي يكون فيها المفتاح في وضع التشغيل إلى احتمال وقوع حوادث.

ث) أزرع عدد الضبط أو مفتاح الربط قبل تشغيل العدة الكهربائية. وجود مفتاح ربط أو مفتاح ضبط على يسار الجزء المتحرك من العدة الكهربائية يؤدي إلى حدوث إصابة شخصية.

ج) لا تقرب من العدة الكهربائية، اترك مسافة مناسبة بينك وبين العدة الكهربائية وحافظ على توازنك في جميع الأوقات. سيسمح لك ذلك من السيطرة على الجهاز بشكل أفضل في المواقف غير المتوقعة.

ح) قم بارتداء ملابس مناسبة، لا ترتدي ملابس فضفاضة أو بها أطراف سانية أو حلي، وحافظ دائماً على إبعاد شعرك والملابس التي ترتديها وقفاز بعيداً عن الأجزاء المتحركة من العدة الكهربائية.

د) قد تتشابك الملابس الفضفاضة أو التي بها أطراف أو الحلي أو الشعر الطويل بالأجزاء المتحركة للمقابس.

هـ) إن جاز تركيب جهاز شفت وتجميع الغبار، فتأكد من متصلة ويتم استخدامها بشكل سليم.
قد يؤدي استخدام تجميع الغبار إلى تقليل المخاطر الناجمة عن الغبار.

4) طريقة استخدام العدة الكهربائية والعناية بها:

أ) لا تفرط في استخدام العدة الكهربائية، واستخدام العدة الكهربائية المناسبة للعمل الذي تقوم به.
عند استخدام العدة الكهربائية المخصصة لذلك فإن هذا يساعدك على الحصول على نتيجة أفضل وأكثر أمناً تبعاً للمهمة التي تم تصميم المقاب لها.

ب) في حالة تصطل مفتاح التشغيل عن العمل لا تستخدم العدة الكهربائية.
أي عدة كهربائية لا يمكن التحكم في مفتاح التشغيل الخاص بها فإنها تشكل خطراً عند استخدامها ويجب إصلاح هذا المفتاح.

ت) قم بفصل القابض من مصدر الطاقة و/أو حزمة البطارية من العدة الكهربائية قبل عمل أي تعديلات أو تغيير الملحقات أو تفكيك العدة الكهربائية.
تمنع إجراءات الاحتياط هذه تشغيل العدة الكهربائية بشكل غير مقصود.

ث) قم بتفكيك العدة الكهربائية الغير مستخدمة بعيداً عن متناول الأطفال ولا تسمح لأي شخص ليس لديه فكرة عن تشغيل المقاب بالاقتراب من هذه الأدوات أو تشغيلها.
أدوات التشغيل تمثل خطورة في أيدي الأشخاص الغير مدربين عليها.

ج) تأكد من سلامة العدة الكهربائية، قم بفحصها جيداً من ناحية مدى ترابط الأجزاء المتحركة أو وجود أي كسر في أي جزء من أجزائها بما يؤثر على تشغيلها.
في حالة حدوث تلف بأدوات التشغيل يجب إصلاحها قبل الاستخدام.

ح) عدم صيانة أدوات التشغيل أو القيام بعملية الصيانة بشكل غير صحيح يؤدي إلى حدوث الكثير من الحوادث.
يرجى الحفاظ على أدوات التقطيع حادة ونظيفة ويرجى الحفاظ على أدوات التقطيع حادة الحواف بحيث يسهل التحكم فيها.

خ) استخدم العدة الكهربائية، والملحقات، وأجزاء العدة وغير ذلك فيما يتوافق مع هذه التعليمات، مع الوضع في الاعتبار ظروف العمل والأعمال المطلوب تحقيقها.

د) قد يؤدي استخدام أداة الطاقة للأغراض غير المخصصة لها إلى وجود موقف خطير.

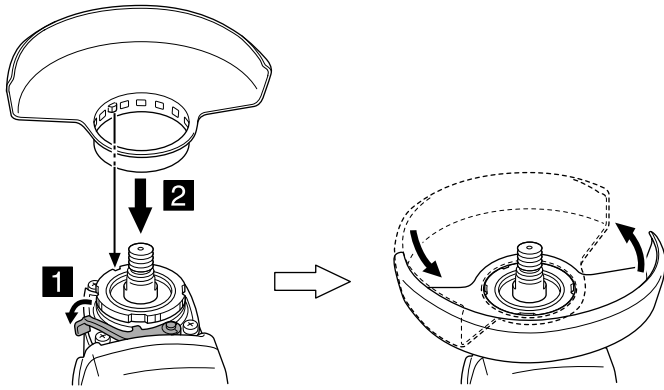
5) الخدمة

أ) اسمح بتصليح عدتك الكهربائية فقط من قبل المتخصصين فقط باستخدام قطع الغيار الأصلية فقط.
يؤمن ذلك المحافظة على أمان الجهاز.

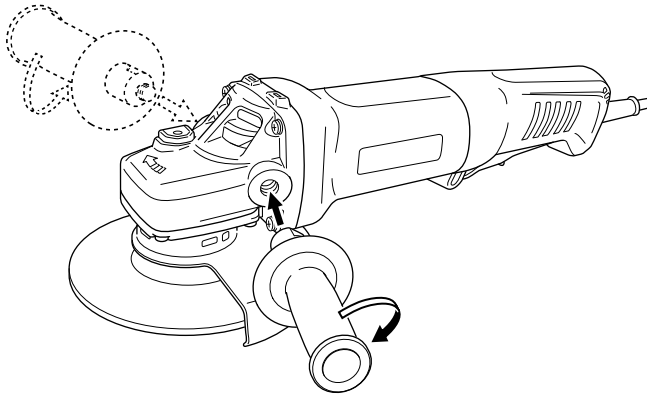
الاحتياطات

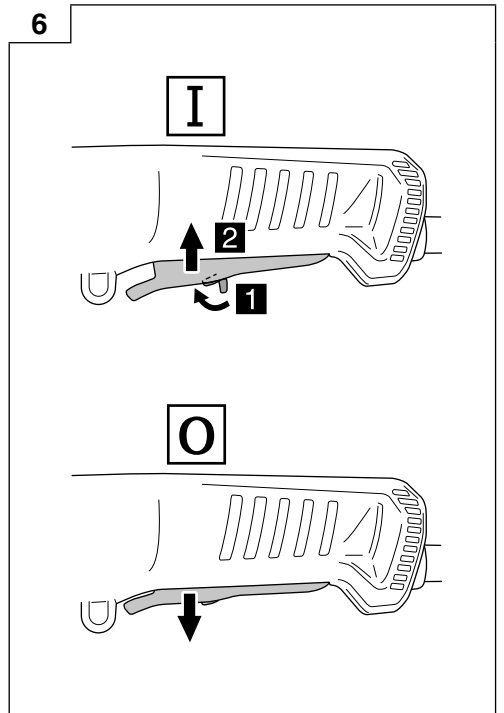
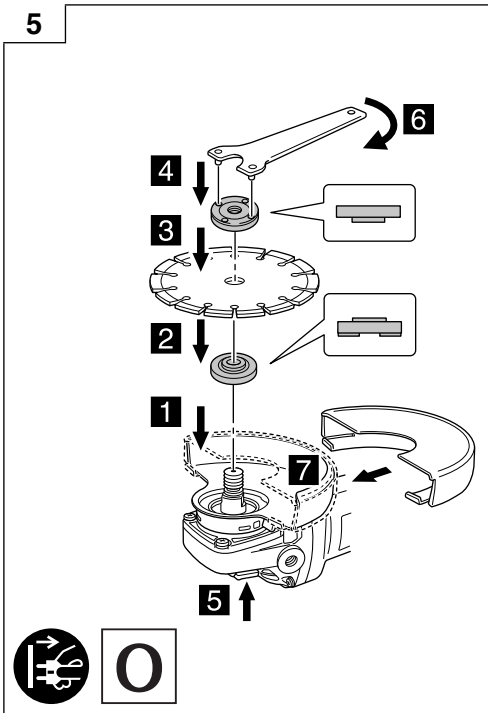
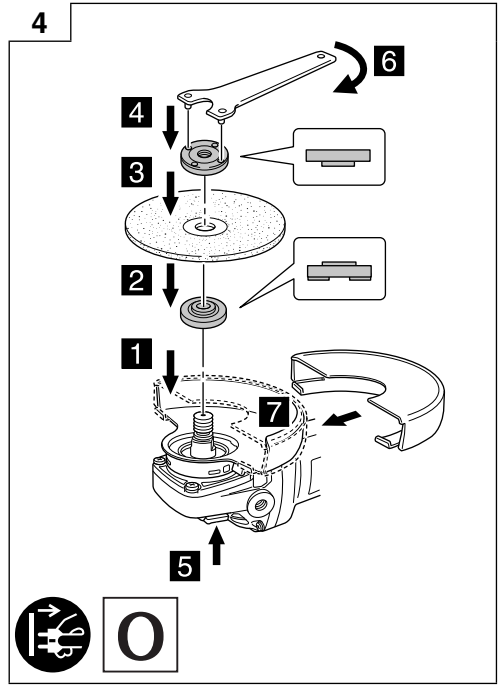
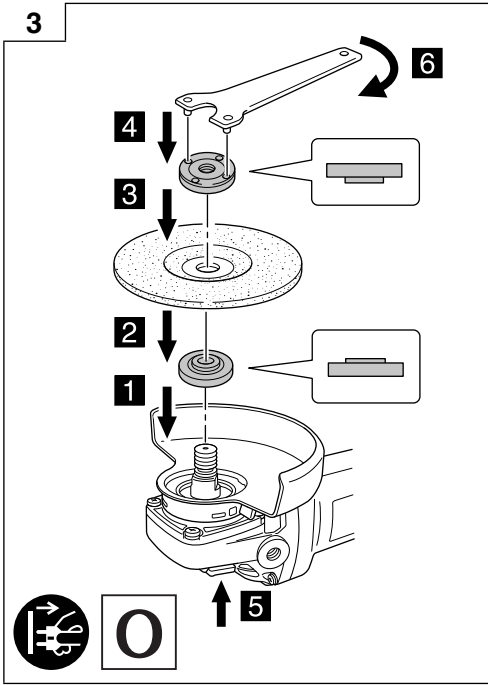
يرجى وضع العدة الكهربائية بعيداً عن متناول الأطفال وكبار السن. في حالة عدم الاستخدام يجب الحفاظ على العدة الكهربائية بعيدة عن متناول الأطفال وكبار السن.

1



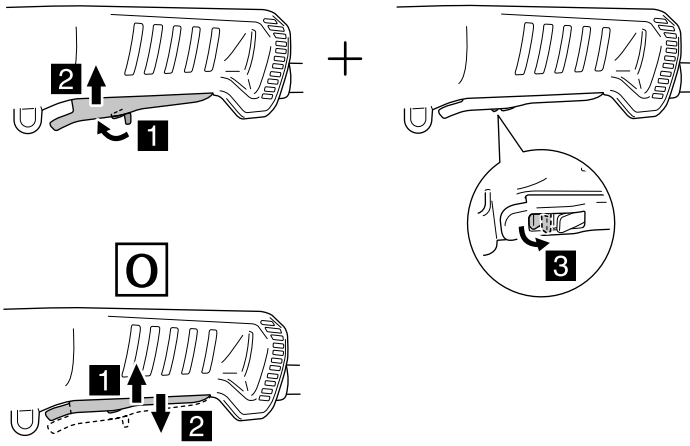
2



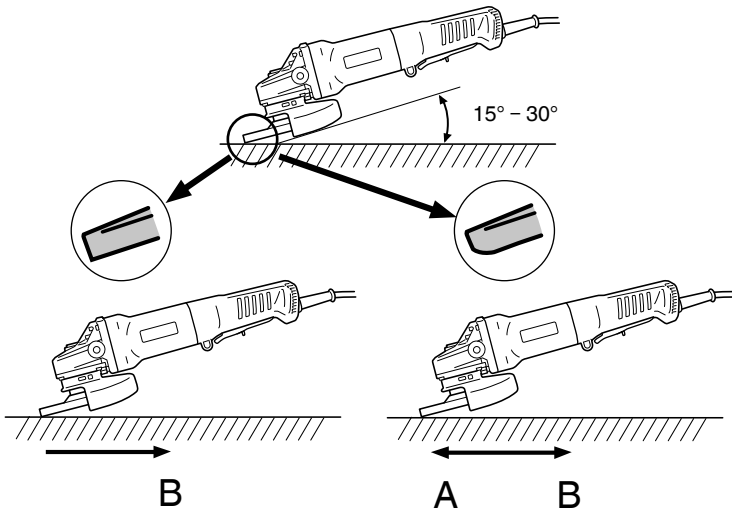


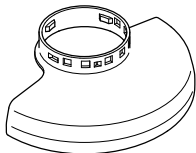
7

$$1 + 2 + 3 = \overset{\text{Lock}}{\boxed{\text{I}}}$$



8

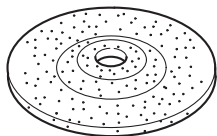




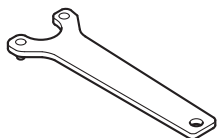
G12SE3: 375906
G13SE3: 375907



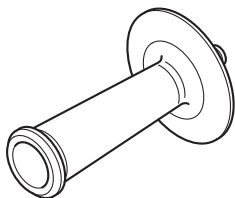
937817Z



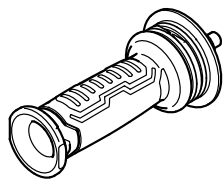
339579



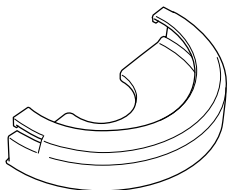
938332Z



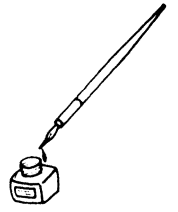
302142

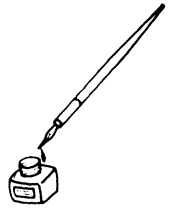


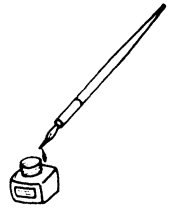
336865



G12SE3: 376167
G13SE3: 372701







Hikoki Power Tools RUS L.L.C.

Kashirskoe Shosse 41, bldg. 2, 115409, Moscow, Russia

Tel: +7 495 727 4460

Fax: +7 495 727 4461

URL: <http://www.hikoki-powertools.ru>

Koki Holdings Co., Ltd.

Shinagawa Intercity Tower A, 15-1, Konan 2-chome,
Minato-ku, Tokyo, Japan